

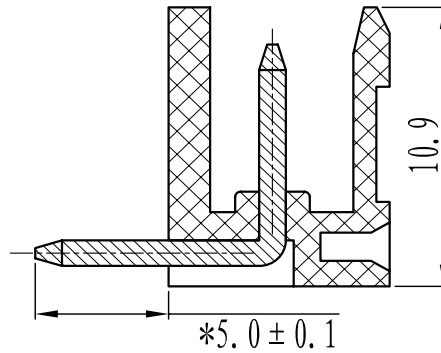
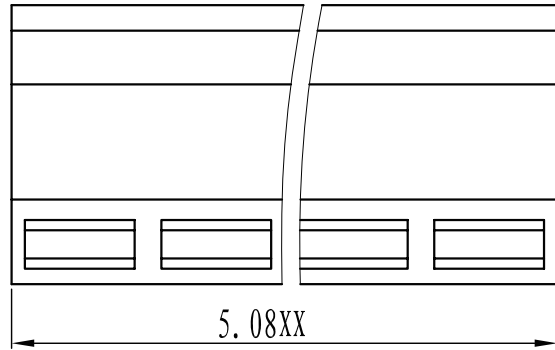


慈溪市萬捷電子有限公司

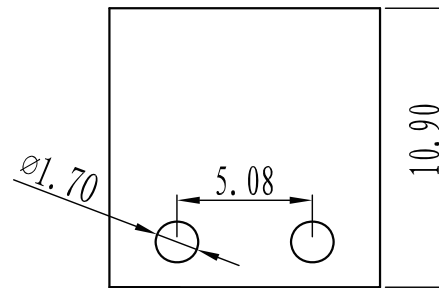
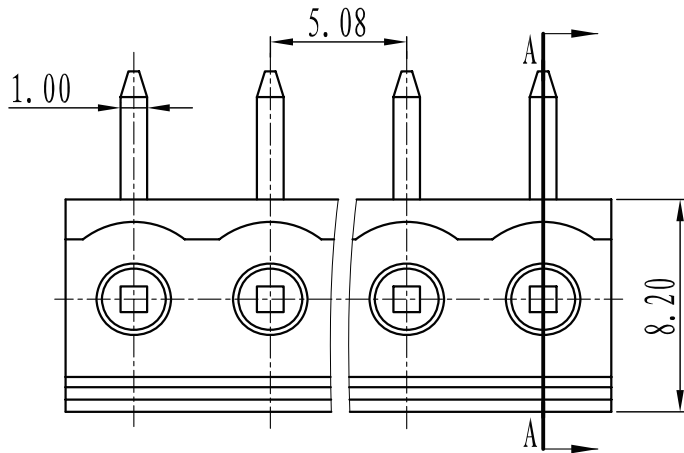
CIXI WANJIE ELECTRONIC CO., LTD

产品规格书

product specification



SECTION A-A



电气性能/Electrical

参考标准/Standard	UL	IEC
额定电压/Rated voltage	300V	320V
额定电流/Rated current	10A	15A
接触电阻/Contact resistance	20mΩ	
绝缘电阻/Insulation resistance	5000MΩ/DC1000V	
耐电压/Withstanding voltage	AC 2000V/1 Min	

机械性能/Mechanical

温度范围/Temp.Range	-40℃ ~ +105℃
瞬时温度/MAX Soldering	+250℃ for 5 Sec

尺寸/Dimensions

间距/Pitch	5.08mm
极数/Poles	2p. xxp

材质及电镀/Material

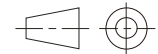
塑件/Housing	PA66,UL94V-0
焊针/Pin housing	Brass,Tin plated

TOLERANCES EXCEPT AS NOTED

	linear dimension				fillet	chamfer	short angle sid				≡	—	□	//	⊥	
	over	over	over	over			over	over	over	over						
variable range	to 6	to 30	to 120	to 480	all	to 6	to 10	to 50	to 120	all	to 5	to 30	to 120	to		
tolerance	±0.1	±0.2	±0.3	±0.5	±0.2	±0.5	±1	1°	30'	20'	10'	0.5	0.025	0.06	0.12	0.4

单位/UNITS mm 尺寸/SIZE A4 比例/SCALE

第一视角/FIRST ANGLE PROJECTION



慈溪市萬捷電子有限公司
CIXI WANJIE ELECTRONIC CO., LTD

名称/NAME

HT508R-5.08