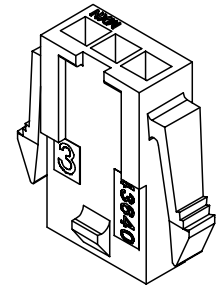


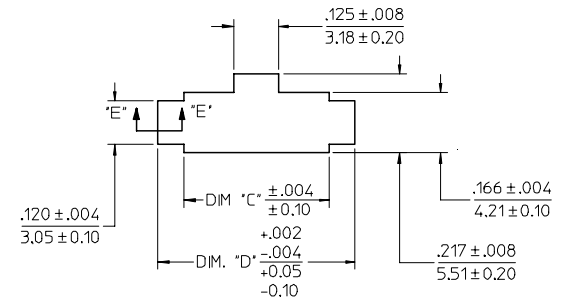
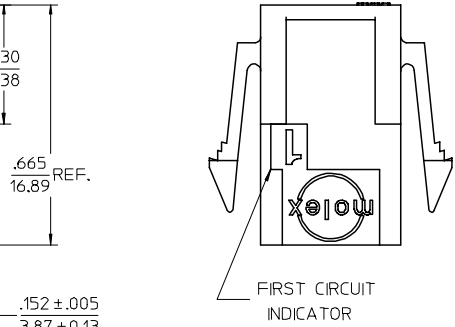
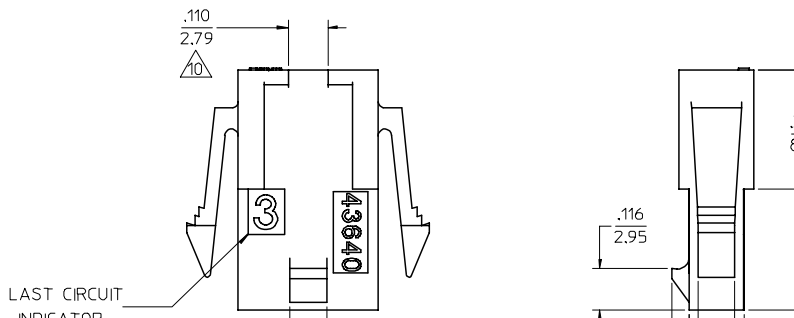
X-CONTACT FACTORY	ASSEMBLY ITEM NUMBER	PART CHARACTERISTICS NUMBER OF POSITION
	43640-0200	02
	43640-0300	03
	43640-0400	04
	43640-0500	05
	43640-0600	06
X	43640-0700	07
X	43640-0800	08
X	43640-0900	09
X	43640-1000	10
X	43640-1100	11
X	43640-1200	12

CKT. NO.	DIM. "A"	DIM. "B"	DIM. "C"	DIM. "D"
2	.270/6.85	.118/3.00	.284/7.21	.429/10.90
3	.388/9.85	.236/6.00	.402/10.21	.547/13.89
4	.506/12.85	.354/9.00	.520/13.21	.665/16.89
5	.624/15.85	.472/12.00	.638/16.21	.783/19.89
6	.742/18.85	.591/15.00	.756/19.21	.901/22.89
7	.860/21.85	.709/18.00	.874/22.20	1.019/25.88
8	.978/24.85	.827/21.00	.992/25.20	1.137/28.88
9	1.096/27.85	.945/24.00	1.110/28.20	1.255/31.88
10	1.215/30.85	1.063/27.00	1.229/31.22	1.373/34.87
11	1.333/33.85	1.181/30.00	1.347/34.22	1.491/37.87
12	1.451/36.85	1.299/33.00	1.465/37.22	1.609/40.87

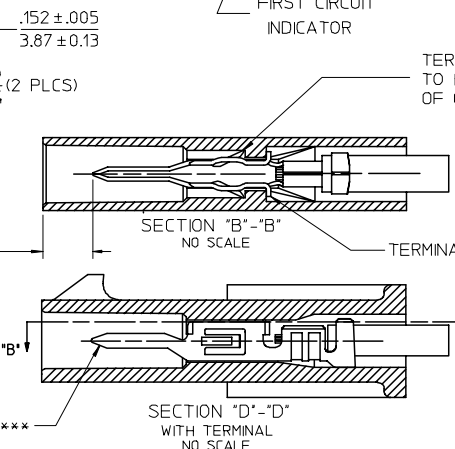
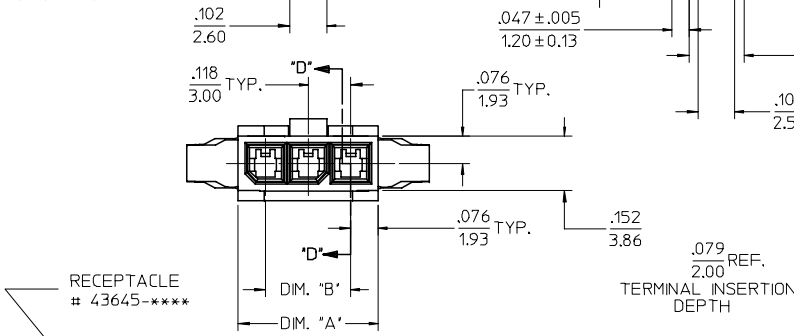
- NOTES:
- HOUSING MATERIAL: UNFILLED POLYESTER, RATED UL94V-0 COLOR IS BLACK
 - FINISH: NONE
 - PRODUCT SPECIFICATION: PS-43650
 - PACKAGING SPECIFICATION: NONE
 - THIS HOUSING MATES WITH MICRO-FIT RECEPTACLE #43645-****.
 - THIS HOUSING IS DESIGNED IN METRIC
 - THIS HOUSING TO BE USED WITH MOLEX MALE TERMINAL #43031-****.
 - PLUG DESIGNED FOR .062/1.57 TO .090/2.30 THICK STAMPED PANEL OR P.C. BOARD.
 - SEE SECTION "D"- "D" FOR TERMINAL ORIENTATION IN HOUSING.
 - THIS DIMENSION APPLIES TO PLUG CKT. SIZES 2 THRU 12 ONLY.
 - SEE SHEET 2 FOR PLUG WITHOUT PANEL MOUNTS.
 - PANEL MOUNT FEATURES MUST LOCK ON SIDE OPPOSITE PUNCH SIDE FOR OPTIMUM RETENTION.
 - THIS PART CONFORMS TO CLASS B REQUIREMENTS OF COSMETIC SPECIFICATION PS-45499-002.



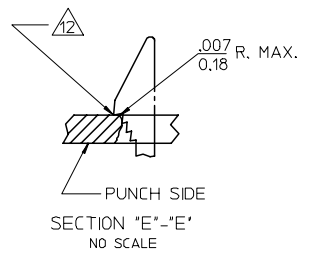
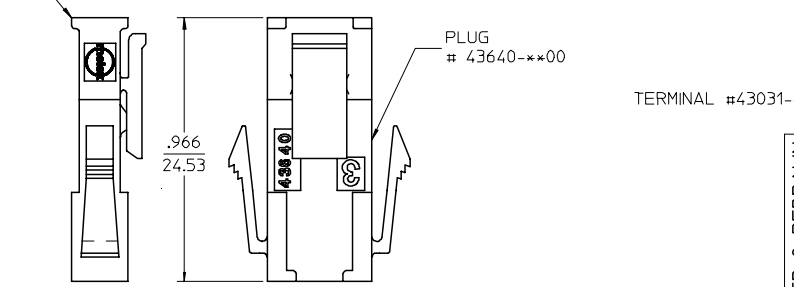
PLUG WITH PANEL MOUNTS



RECOMMENDED PANEL CUT-OUT



TERMINAL LOCKING TABS MUST BE FULLY SEATED TO HOUSING BEFORE MATING WITH OTHER HALF OF CONNECTOR SYSTEM.



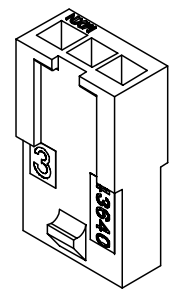
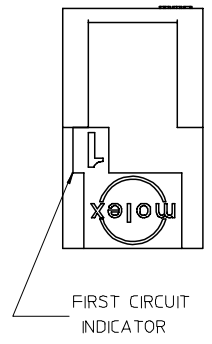
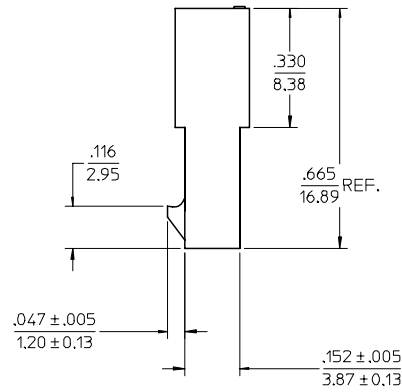
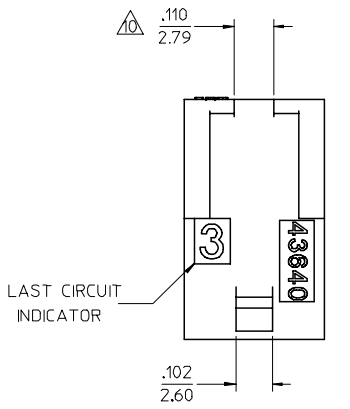
PUNCH SIDE SECTION "E"- "E" NO SCALE

MATED MICRO-FIT CONNECTOR

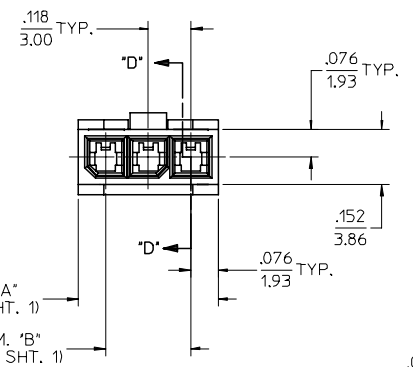
REVISED & REDRAWN FC NO: UCP2007-2606 DRAWN/PR/DER 2007/05/03 CHKD:SSOUSEK 2007/05/04 APPR:FSM TH 2007/05/08	QUALITY SYMBOLS =0 =0	GENERAL TOLERANCES (UNLESS SPECIFIED)	DIMENSION STYLE IN/MM	SCALE 4:1	DESIGN UNITS METRIC	THIRD ANGLE PROJECTION																															
		<table border="1"> <thead> <tr> <th></th> <th>mm</th> <th>INCH</th> </tr> </thead> <tbody> <tr> <td>4 PLACES</td> <td>± .005</td> <td>± .001</td> </tr> <tr> <td>3 PLACES</td> <td>± .010</td> <td>± .002</td> </tr> <tr> <td>2 PLACES</td> <td>± .025</td> <td>± .010</td> </tr> <tr> <td>1 PLACE</td> <td>± .035</td> <td>± .015</td> </tr> </tbody> </table>		mm	INCH	4 PLACES	± .005	± .001	3 PLACES	± .010	± .002	2 PLACES	± .025	± .010	1 PLACE	± .035	± .015	<table border="1"> <thead> <tr> <th>DRAWN BY</th> <th>DATE</th> <th>TITLE</th> </tr> </thead> <tbody> <tr> <td>AFG</td> <td>1996/01/19</td> <td></td> </tr> <tr> <th>CHECKED BY</th> <th>DATE</th> <th></th> </tr> <tr> <td>BAP</td> <td>1996/01/19</td> <td></td> </tr> <tr> <th>APPROVED BY</th> <th>DATE</th> <th></th> </tr> <tr> <td>RJF</td> <td>1996/01/19</td> <td></td> </tr> </tbody> </table>	DRAWN BY	DATE	TITLE	AFG	1996/01/19		CHECKED BY	DATE		BAP	1996/01/19		APPROVED BY	DATE		RJF	1996/01/19		<p>MATERIAL NO. DOCUMENT NO.</p> <p>SD-43640-****</p>
	mm	INCH																																			
4 PLACES	± .005	± .001																																			
3 PLACES	± .010	± .002																																			
2 PLACES	± .025	± .010																																			
1 PLACE	± .035	± .015																																			
DRAWN BY	DATE	TITLE																																			
AFG	1996/01/19																																				
CHECKED BY	DATE																																				
BAP	1996/01/19																																				
APPROVED BY	DATE																																				
RJF	1996/01/19																																				
DRAFT WHERE APPLICABLE MUST REMAIN WITHIN DIMENSIONS		SEE CHART	THIS DRAWING CONTAINS INFORMATION THAT IS PROPRIETARY TO MOLEX INCORPORATED AND SHOULD NOT BE USED WITHOUT WRITTEN PERMISSION																																		

13 12 11 10 9 8 7 6 5 4 3 2 1

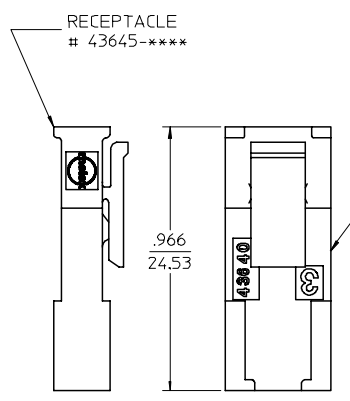
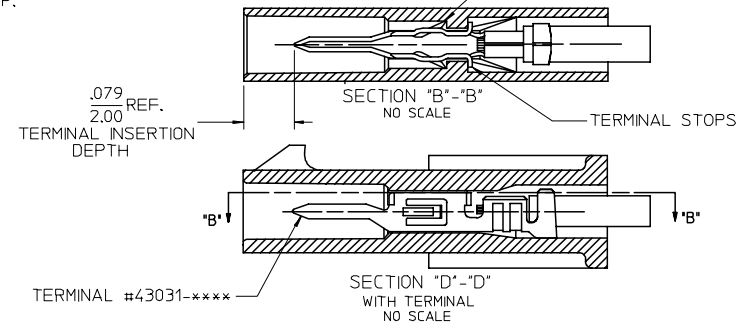
X-CONTACT FACTORY	ASSEMBLY ITEM NUMBER	PART CHARACTERISTICS NUMBER OF POSITION
43640-0301	03	
43640-0401	04	
43640-0501	05	
43640-0601	06	
X 43640-0701	07	
X 43640-0801	08	
X 43640-0901	09	
X 43640-1001	10	
X 43640-1101	11	
X 43640-1201	12	



PLUG WITHOUT PANEL MOUNTS



TERMINAL LOCKING TABS MUST BE FULLY SEATED TO HOUSING BEFORE MATING WITH OTHER HALF OF CONNECTOR SYSTEM.



MATED MICRO-FIT CONNECTOR

REVISED & REDRAWN FC NO: UCP2007-2606 DRAWN: P. RIDER 2007/05/03 CHKD: S. SOUSEK 2007/05/04 APPR: F. SMITH 2007/05/08	QUALITY SYMBOLS 	GENERAL TOLERANCES (UNLESS SPECIFIED)		DIMENSION STYLE IN/MM		SCALE 4:1	DESIGN UNITS METRIC	THIRD ANGLE PROJECTION		
		4 PLACES ± .005 ± .005	3 PLACES ± .010 ± .010	2 PLACES ± 0.25 ± .014	1 PLACE ± 0.35 ± .014	ANGULAR ± 5 °	DRAWN BY AFG	DATE 1996/01/19	CHECKED BY BAP	DATE 1996/01/19
		APPROVED BY R.J.F.		DATE 1996/01/19		MATERIAL NO. SEE CHART		DOCUMENT NO. SD-43640-****		SHEET NO. 2 OF 2
		DRAFT WHERE APPLICABLE MUST REMAIN WITHIN DIMENSIONS		THIS DRAWING CONTAINS INFORMATION THAT IS PROPRIETARY TO MOLEX INCORPORATED AND SHOULD NOT BE USED WITHOUT WRITTEN PERMISSION		MOLEX INCORPORATED		MOLEX INCORPORATED		

12 11 10 9 8 7 6 5 4 3 2 1