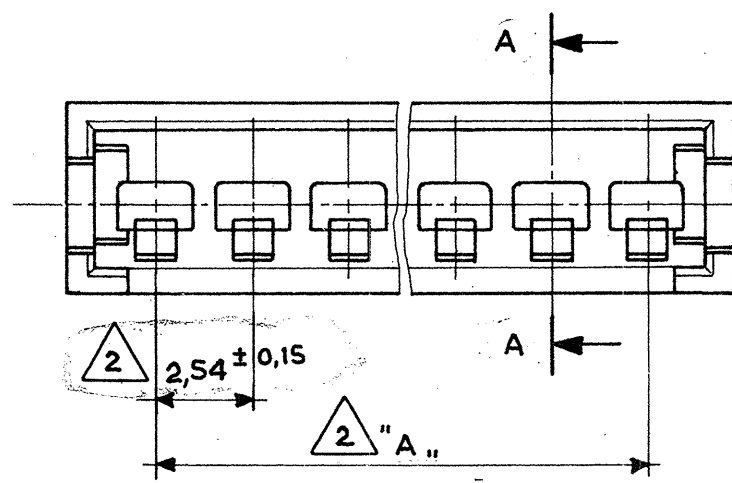
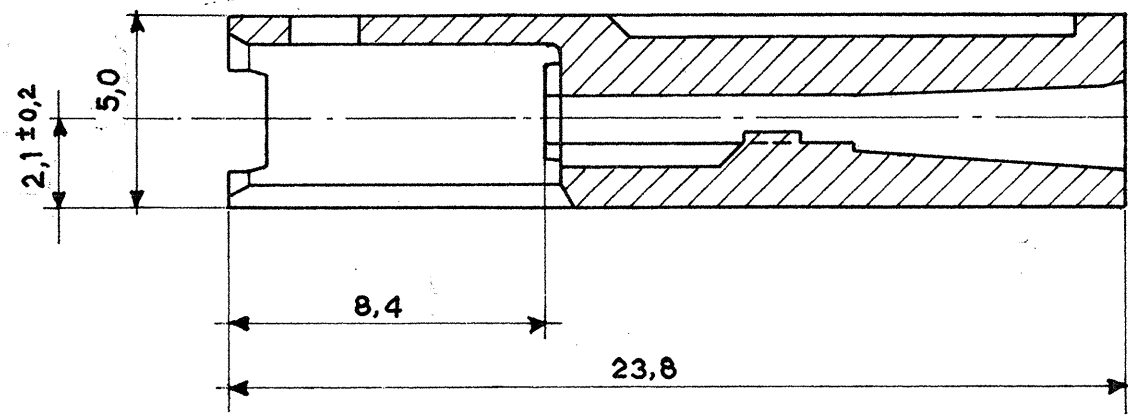


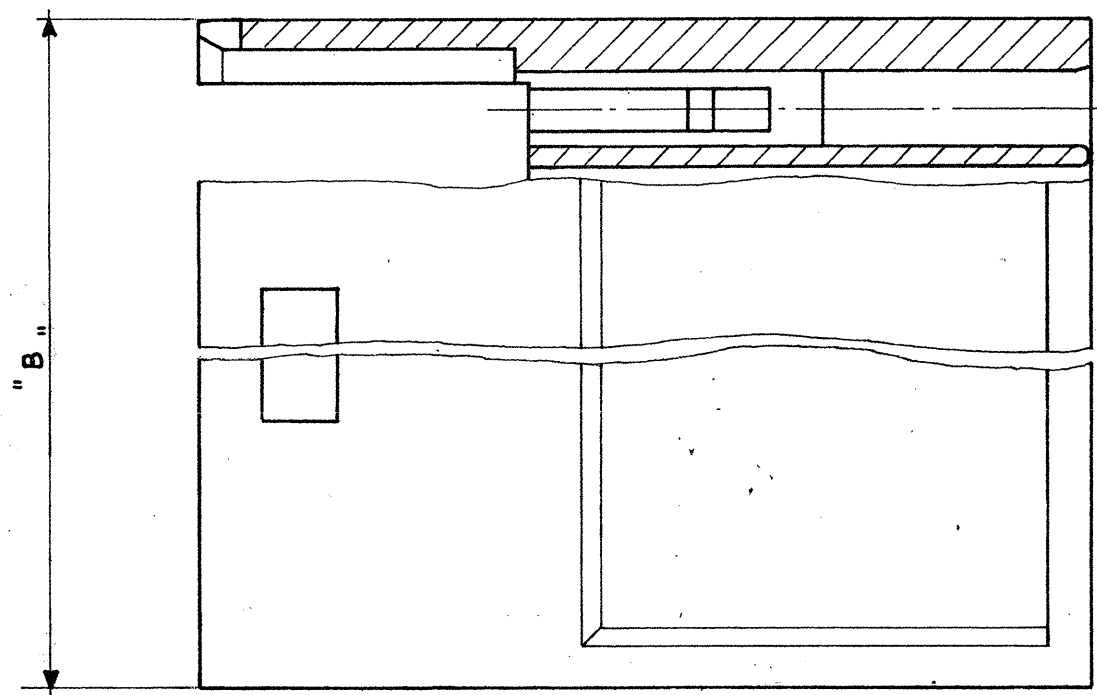
Sezione A-A
(Section)



Note: (Notes)

- 1 Noryl (UL94-VI) Colore Nero (Black Colour).
- 2 Tolleranza non Cumulativa. (Non-Cumulative Tolerance.)
- 3 PA 6.6 15% g.f. masterizzato ROSSO (PA 6.6 15% g.f. masterized - RED)

N° Pos.	Part. Number	Dim. "A"	Dim. "B"	Mat.	
4	284072-1	7,62	12,5	3	
2	284071-1	2,54	7,4		
22	280636	53,34	58,2		
15	280635	35,56	40,4	1	
12	280634	27,94	32,8		
10	280633	22,86	27,7		
9	280632	20,32	25,1		
8	280631	17,78	22,6		
6	280630	12,70	17,5		
4	280629	7,62	12,5		
2	280628	2,54	7,4		
N° Pos.	Part. Number	Dim. "A"	Dim. "B"		Mat.



FINITURA / COLORE (FINISH / COLOUR)	MATERIALE (MATERIAL)	NUMERO (PART NUMBER)
CUSTOMER DWG. FOR REFERENCE ONLY		DISEGNO PER CLIENTE SOLO PER RIFERIMENTO
THIS DRAWING IS UNPUBLISHED		RELEASE FOR PUBLICATION
© COPYRIGHT 19 BY AMP INCORPORATED, HARRISBURG, PA ALL INTERNATIONAL RIGHT RESERVED AMP PRODUCTS MAY BE COVERED BY U.S. AND FOREIGN PATENT AND/OR PATENT PENDING		
TOLLERANZE: SE NON DIVERSAMENTE SPECIFICATO (TOLERANCES UNLESS OTHERWISE SPECIFIED)	DIAM. ISOLANTE (INS. DIA. RANGE)	RANGO FILO (WIRE RANGE)
± 0,3		
ANGOLI (ANGLES) ± 2°	AMP AMP ITALIA S.p.A. Corso F.lli Cervi, 15 COLLEGNO (TORINO)	
DESCRIZIONE (DESCRIPTION): AMP MODU II Pin Housing, Single Row, Crimp Snap-In.		
REV. (REV.)	LOC. (LOC.)	NUMERO (DWG NO.)
1 Revised and Redrawn	IA3	280628
2 Revised note	C-	(Master Dwg.)
REV. (REV.)	REV. (REV.)	FOLIO (SHEET)
	H2	1 (OF 1)

H2	RELEASED FOR PRODUCTION	280628
H1	APPROVED FOR PRODUCTION	280628
2	Revised note	29-9-86
1	Revised and Redrawn	29-9-86
REV. (REV.)	REVISIONI (REVISION RECORD)	DIS. DATA (DR) (DATE)

DISTRIBUZIONE (PRINT DIST.)