


SPECIFICATIONS:

PROOF VOLTAGE: 1,500 V AC.
 CONTACT RESISTANCE: 20m-ohms max.
 ELECTRICAL LIFE: 50,000 cycles min.
 MECHANICAL LIFE: 100,000 cycles min.

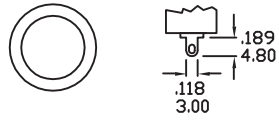
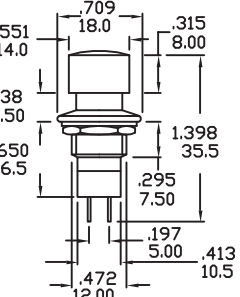

CIRCUITRY: S.P.S.T.
 CONTACT RATING: 1A 250VAC, 3A 125VAC.
 INSULATION RESISTANCE: 100M-ohms min.

Specifications and Dimensions subject to change



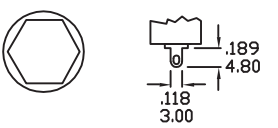
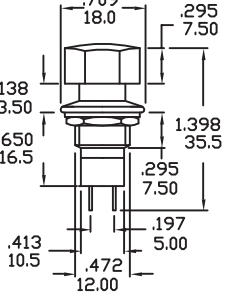

Model No.	Type
R18-21A	OFF-ON
R18-21B	OFF-(ON)

SCALE 1.5:2.44

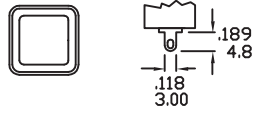
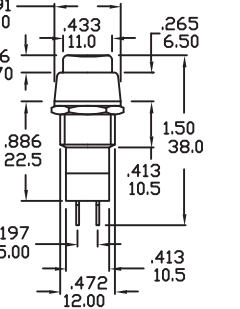

Model No.	Type
R18-22A	OFF-ON
R18-22B	OFF-(ON)

SCALE 1.5:2.44

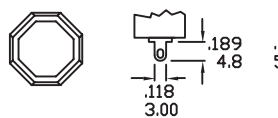
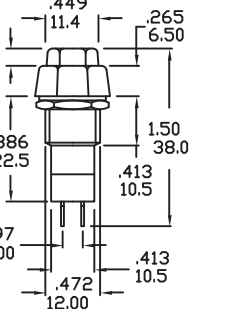

Model No.	Type
R18-23A	OFF-ON
R18-23B	OFF-(ON)

SCALE 1.5:2.61

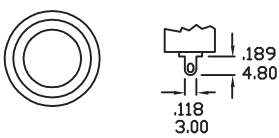
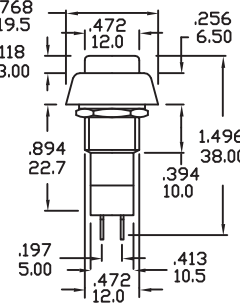

Model No.	Type
R18-24A	OFF-ON
R18-24B	OFF-(ON)

SCALE 1.5:2.46

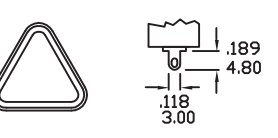
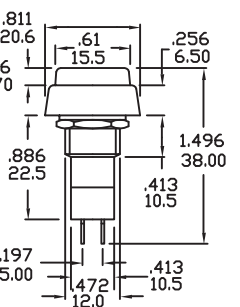

Model No.	Type
R18-25A	OFF-ON
R18-25B	OFF-(ON)

SCALE 1.5:2.44

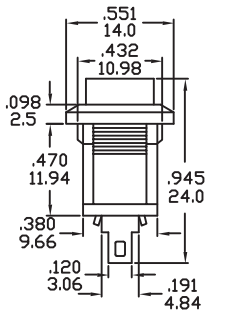
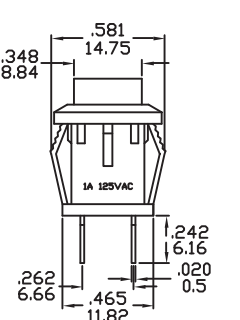





Model No.	Type
R18-26A	OFF-ON
R18-26B	OFF-(ON)

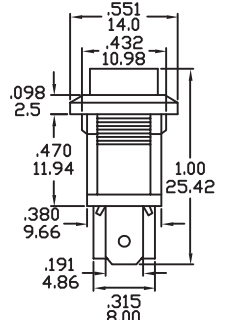
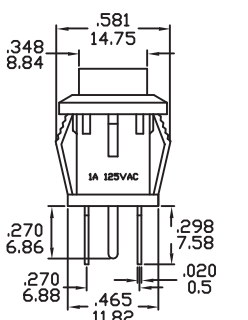

SCALE 1.5:2.5

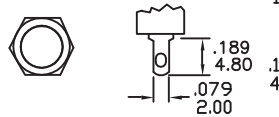
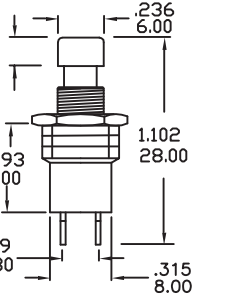

Model No.	Type
R18-27A	OFF-(ON)
R18-27B	ON-(OFF)

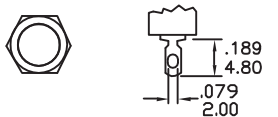
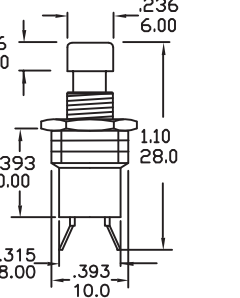
Model No.	Type
R18-28A	OFF-(ON)

Model No.	Type
R18-29A	OFF-(ON)
R18-29B	(OFF)-ON
R18-29C	OFF-ON

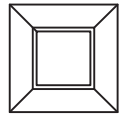
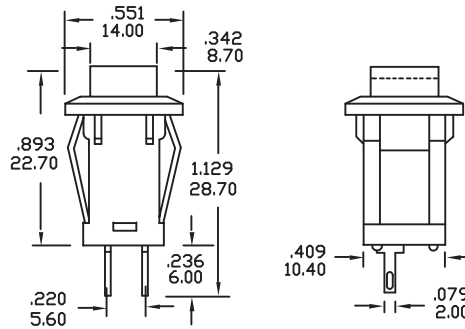




Model No.	Type
R18-30A	OFF-(ON)
R18-30B	ON-(OFF)
R18-30C	OFF-ON



Model No.	Type
R18-32A	OFF-ON LOCK



SPECIFICATIONS:

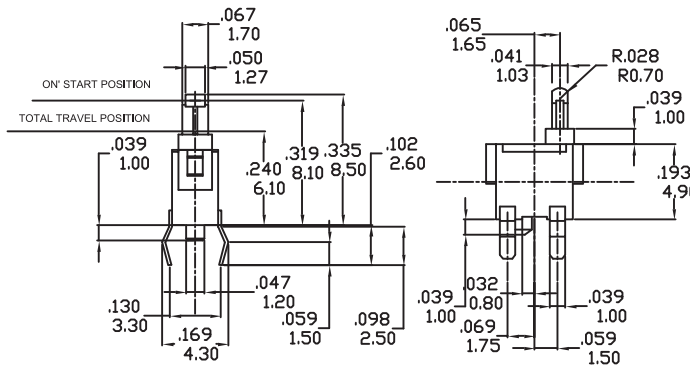
OPERATING TEMPERATURE: -10 to + 60°C
 RATING: 30V DC 0.1A.
 INSULATION RESISTANCE: 100V DC 1min 100M-ohms min.
 SOLDERING TEMPERATURE: 230°C 3sec.
 OPERATING LIFE: 50,000 cycles.

MATERIALS:

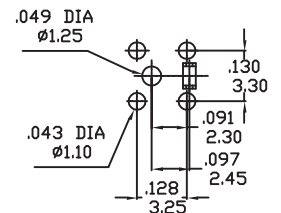
CASE: Nylon 6/6+GF 30%.
 Cover: Nylon 6/6+GF 30%.
 ACTUATOR: Acetal.
 TERMINAL: Brass.

Specifications and Dimensions subject to change

R18-20



P.C.B DIMENSION



SPECIFICATIONS:

CONTACT RATING: 25mA max. @ 50V AC or DC max.
 MECHANICAL LIFE: 50,000 actuations.
 CONTACT RESISTANCE: 20m-ohms max.
 INSULATION RESISTANCE: 100M-ohms min.
 DIELECTRIC STRENGTH: 1,000V RMS min. @ sea level.
 OPERATING TRMPERATURE: -30°C to +65°C.

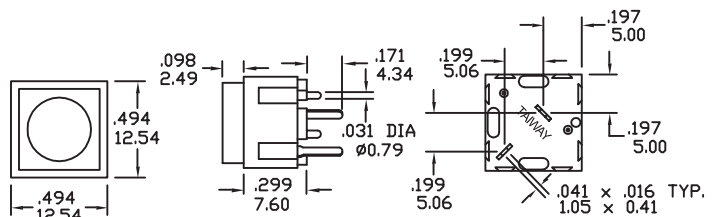
MATERIALS:

CASE: Glass filled nylon 6/6 or nylon 9T.
 BUTTON: ABS.
 SNAP DOME: Stainless steel.
 STATIONARY CONTACTS & TERMINAL: Copper alloy, silver plated.

Specifications and Dimensions subject to change



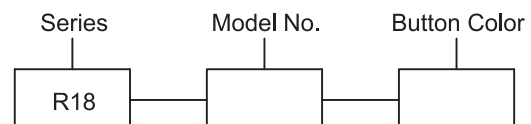
Model No.	Type
801	OFF-MOM



BUTTON COLOR OPTIONS

Color No.	Color	Color No.	Color
1	White	6	Green
2	Black	7	Blue
3	Red(std.)	8	Brown
4	Orange	9	Gray
5	Yellow		

HOW TO ORDER



SPECIFICATIONS:

RATING: DC 30V 0.1A 12V 0.3A.
 OPERATING FORCE: 150gm (std).
 CONTACT RESISTANCE: 50m-ohms max.
 INSULATION RESISTANCE: 100M-ohms @ 500VDC.
 DIELECTRIC STRENGTH: 250VAC for 1 min.

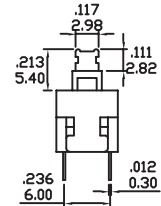
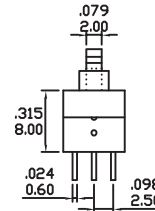
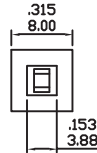
MATERIALS:

BOUNCE: 5m sec. max.
 LIFE CYCLES: 10,000 cycles.
 TEMPERATURE: -25°C to +65°C.
 AMBIENT HUMIDITY: 80% RH max.

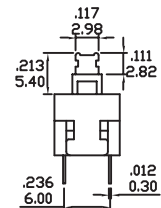
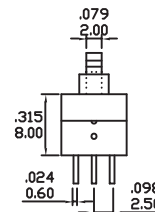
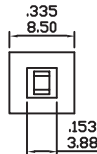
Specifications and Dimensions subject to change



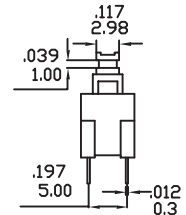
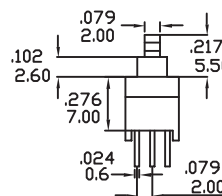
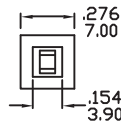
Model No.	Type
807	OFF-MOM
809	OFF-ON



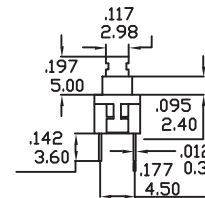
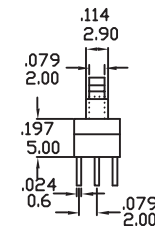
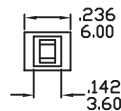
Model No.	Type
807-1	OFF-MOM
809-1	OFF-ON



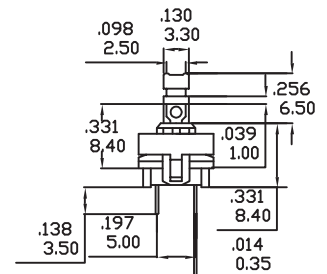
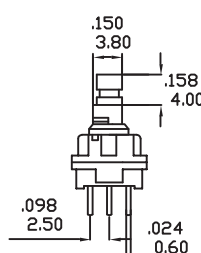
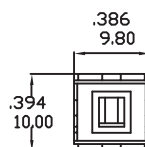
Model No.	Type
807-2	OFF-MOM
809-2	OFF-ON



Model No.	Type
807-3	OFF-MOM
809-3	OFF-ON

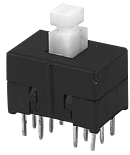


Model No.	Type
810	OFF-MOM
811	OFF-ON

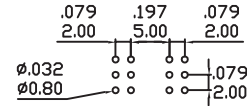
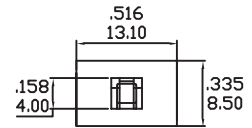
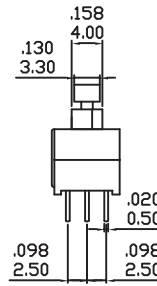
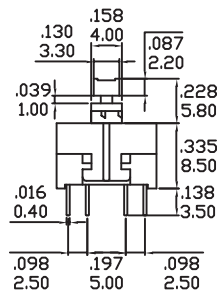


Series R18

Pushbutton Switches



Model No.	Type
812	ON-MOM
813	ON-ON



P.C.MOUNTING

SPECIFICATIONS:

RATING: 3A 125VAC, 1A 250VAC.
 CONTACT RESISTANCE: 50m-ohms max.
 INSULATION RESISTANCE: DC 500V 100M-ohms min.
 DIELECTRIC STRENGTH: AC 1,500V 1 min.
 ELECTRICAL LIFE: 6,000 cycles at full load.
 MECHANICAL LIFE: 200,000 (min).
 OPERATING TEMPERATURE: -30°C to + 65°C.

MATERIALS:

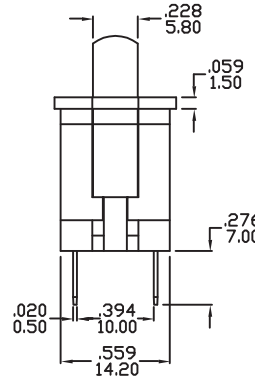
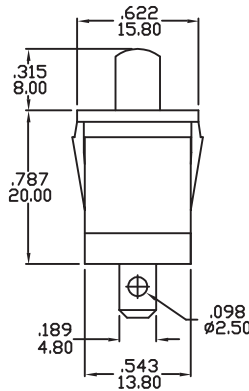
HOUSING: Nylon 6/6.
 PUSHBUTTON: Nylon 6/6.
 TERMINALS: Brass, silver plated.

Specifications and Dimensions subject to change

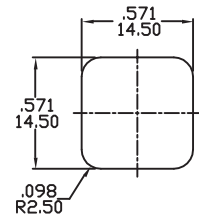
R18-504



Model No.	Type
R18-504	OFF-(ON)



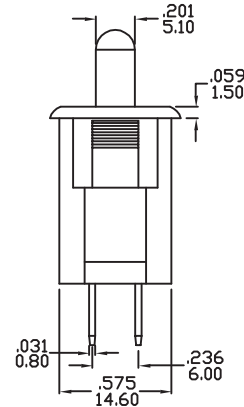
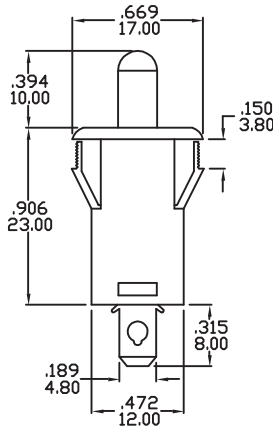
P.C.MOUNTING



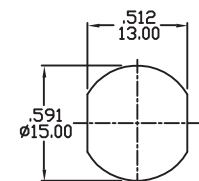
R18-505



Model No.	Type
R18-505	OFF-(ON)



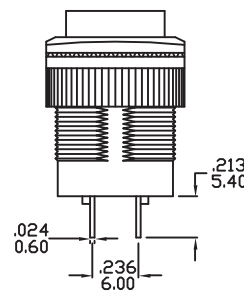
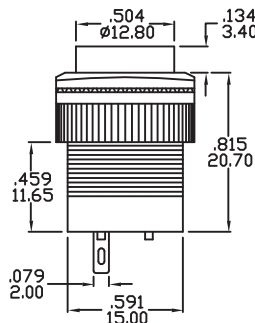
P.C.MOUNTING



R18-508



Model No.	Type
R18-508A	OFF-ON
R18-508B	OFF-(ON)
R18-508C	OFF-ON ILLUMINATED
R18-508D	OFF-(ON) ILLUMINATED



P.C.MOUNTING

