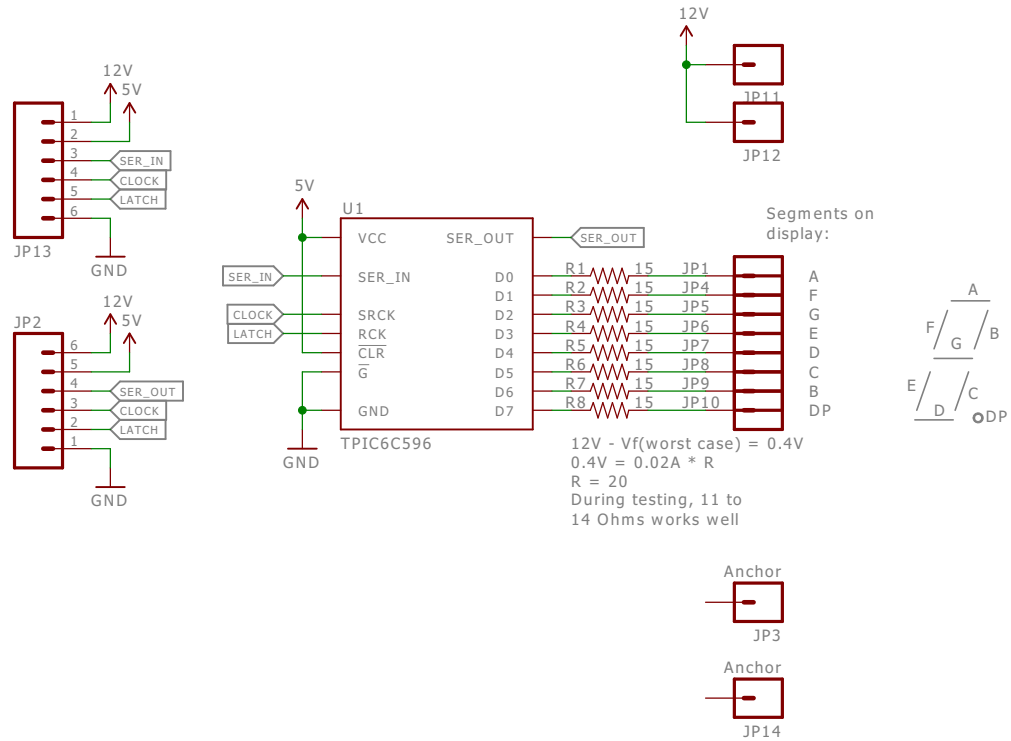


This design is intended to be used with SparkFun's 7-segment display - 6.5"
<https://www.sparkfun.com/products/8530>

Best used with 6-pin cables
<https://www.sparkfun.com/products/10366>

Board requires both 12V for the LEDs and 5V for the IC.



Lots of help from: <http://www.instructables.com/id/Race-Time-Board/step2/Circuit/>



Released under the Creative Commons Attribution Share-Alike 4.0 License https://creativecommons.org/licenses/by-sa/4.0/	
TITLE: Large Digit Driver ⊗ ⊗	
Design by:	REV:
Date: 6/25/2015 9:21 AM	Sheet: 1/1