

**PLEASE CHECK WWW.MOLEX.COM FOR LATEST PART INFORMATION**

**Part Number:** [0510470400](#)  
**Status:** **Active**  
**Overview:** [PicoBlade™ Connector System](#)  
**Description:** 1.25mm Pitch PicoBlade™ Wire-to-Wire Plug Housing, 4 Circuits

**Documents:**

[3D Model](#) [Product Specification PS-51021-009-001 \(PDF\)](#)  
[Drawing \(PDF\)](#) [RoHS Certificate of Compliance \(PDF\)](#)

**Agency Certification**

UL E29179

**General**

Product Family Crimp Housings  
 Series [51047](#)  
 Application Signal, Wire-to-Wire  
 Current Derating Order No 987651-3691  
 MolexKits Yes  
 Overview [PicoBlade™ Connector System](#)  
 Product Name PicoBlade™  
 UPC 800753756922

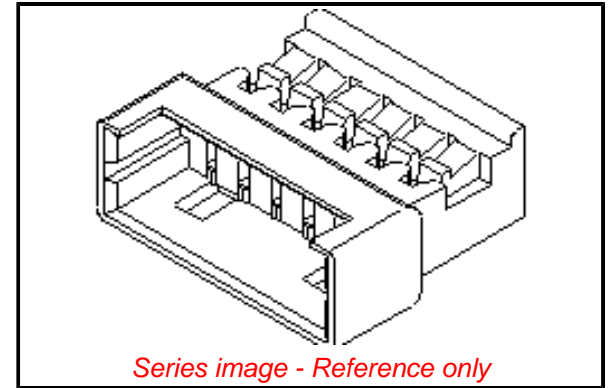
**Physical**

Circuits (maximum) 4  
 Color - Resin Natural  
 Gender Male  
 Glow-Wire Compliant No  
 Lock to Mating Part Yes  
 Material - Resin Polyester  
 Net Weight 81.900/mg  
 Number of Rows 1  
 Packaging Type Bag  
 Panel Mount No  
 Pitch - Mating Interface 1.25mm  
 Stackable No  
 Temperature Range - Operating -40°C to +85°C

**Material Info**

**Reference - Drawing Numbers**

Product Specification PS-51021-009-001  
 Sales Drawing SD-51047-\*\*00



**EU ELV**

**Not Relevant**

**EU RoHS**

**Compliant**

**China RoHS**

**REACH SVHC**

Not Contained Per -  
 ED/21/2016 (20 June  
 2016)

**Halogen-Free**

**Status**

**Not Low-Halogen**

**Need more information on product  
 environmental compliance?**

Email [productcompliance@molex.com](mailto:productcompliance@molex.com)  
 Please visit the [Contact Us](#) section for any  
 non-product compliance questions.

China ROHS	Green Image
ELV	Not Relevant
RoHS Phthalates	Not Contained

**Search Parts in this Series**

[51047 Series](#)

**Mates With**

[51021 Housing](#)

**Use With**

[50125 Crimp Terminal](#), [50133 Crimp Terminal](#)