

10 9 8 7 6 5 4 3 2 1

F

E

D

C

B

A

F

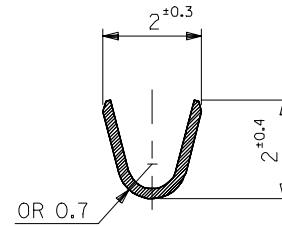
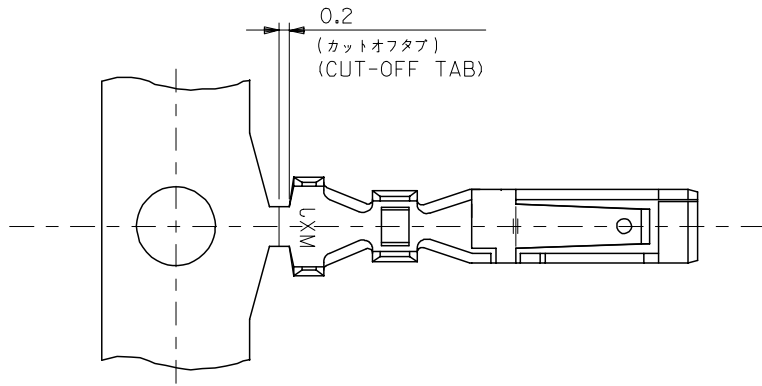
E

D

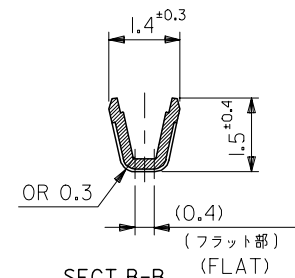
C

B

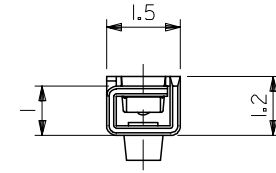
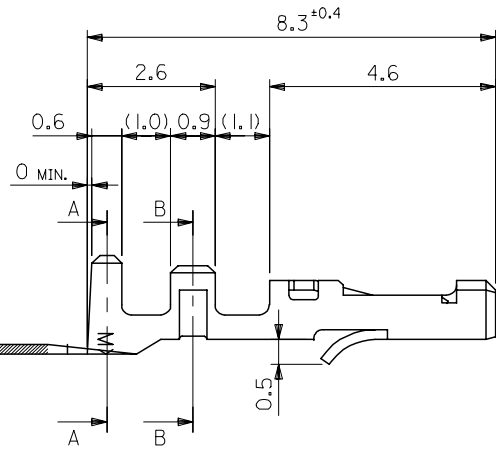
A



SECT.A-A



SECT.B-B



注記  
NOTES

- 適合ハウジング : 51005  
APPLICABLE HOUSING : 51005
- 嵌合相手 : 50012  
MATE WITH : 50012
- ELV 及び RoHS適合品  
ELV AND RoHS COMPLIANT.

材料 MATERIAL	リン青銅 銅メッキ (t=0.2) PHOS. BRO. PRE-TINNED (t=0.2)
仕上げ FINISH	—
適用電線範囲 WIRE RANGE	AWG#24 ~ #28
被覆外径 INS. RANGE	φ0.9 ~ φ1.15

REVISED	EC NO: J2008-0075
DRWN: NABE	2007/07/16
CHKD: THARUYAMA	2007/07/17
APPR: NUKITA	2007/07/17
DESCRIPTION	
REV	D

GENERAL TOLERANCES (UNLESS SPECIFIED)	
10 UNDER	±0.2
10 OVER 30 UNDER	±0.25
30 OVER	±0.3
ANGULAR	±3 °
DRAFT WHERE APPLICABLE MUST REMAIN WITHIN DIMENSIONS	

DIMENSION STYLE MM ONLY	
DRAWN BY	DATE
T. YASUI	'95/08/21
CHECKED BY	DATE
H. HIRAMOTO	'95/08/22
APPROVED BY	DATE
M. FUKUSHIMA	'95/08/22
MATERIAL NO.	
SEE TABLE	
SIZE	
A3	

SCALE	10:1	DESIGN UNIT'S	METRIC	THIRD ANGLE PROJECTION
TITLE 2.0 WIRE TO WIRE CONN. CRIMP REC.				
MOLEX INCORPORATED			SHEET NO. 1 OF 1	
DOCUMENT NO. SD-50013-001				

50013-8100	バラ状 LOOSE
50013-8000	連鎖状 CHAIN
MODEL NO.	MATERIAL NO. 端子形状 FORM

9

8

7

6

5

4

3

2