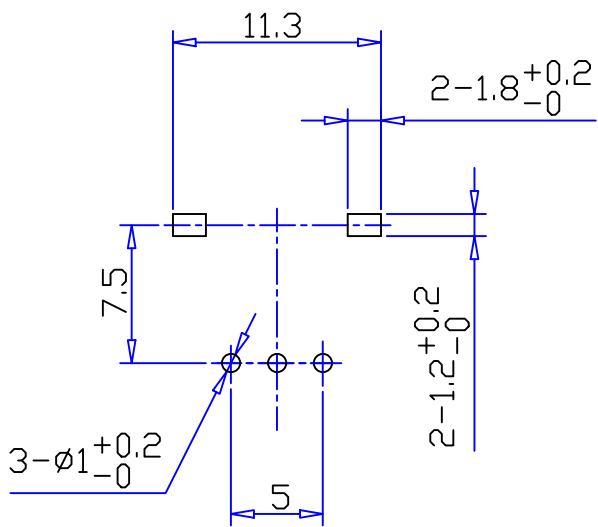
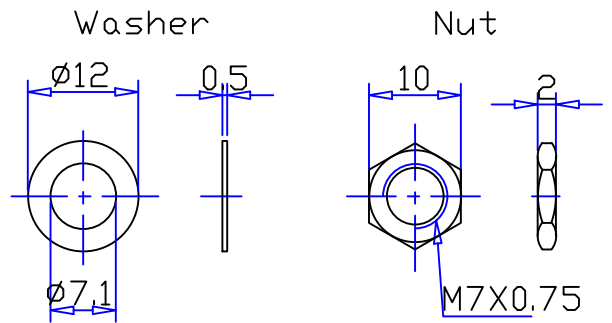


CIRCUIT:NO



Mounting hole detail



▽4					Unit	Scale					
▽3					mm	2.5:1					
▽2				Designed	Checked	Approved	Dwg.Title				
▽1							Dwg.Name				
Zust	Design	Date	Name								
							No Allow±Number				
Material	Card Number	Disposal	Date Graphics	10Below±0.2	10~100±0.5	100Above±1.0	Angle±5°				