



totem

4WD

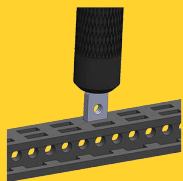
ASSEMBLY GUIDE

MOTOR-WHEEL
PLATFORM



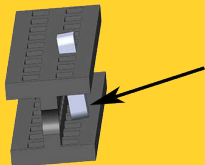
STARTING TIPS

Inserting nuts (1)



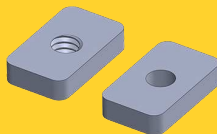
It is a good idea to start every step inserting nuts into beams (if the step requires). Use the back of the screwdriver to push in the nuts.

Inserting nuts (2)



After entering the first slot, nuts tend to tilt. Use your thumb to push it back straight, and then again use the screwdriver to insert the nut all the way in.

Faulty threads



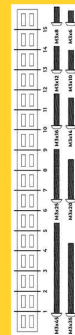
Some of the nuts are missing threads. This is a manufacturing issue and we are working on it. In the mean time, we add few extra nuts. We apologize for the inconvenience.

Tightening standoffs



Push Nylon Standoff with your thumb while tightening it with the wrench.

Ruler

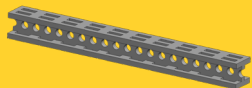


Use Beam/Bolt ruler to determine the length of beams and bolts.

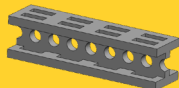
For more tips, please visit the link below:

<https://totemaker.net/blog/totem-mechanics-for-beginners/>

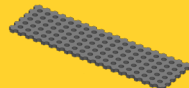
PART LIST



2x Beam 90 mm



2x Beam 40 mm



1x Board 30x100 mm



14x Bolt M3x6



8x Bolt M3x25



12x Nut M3 6x10



2x L-Twisted Bracket



2x L-Twisted Mirror Bracket



4x 3-Hole Bracket



4x Nut M3 5.5x5.5



4x DC Motor



4x Wheel 67 mm



1x Mini Control Board



1x Rechargeable Battery



1x Battery Charger



6x Nylon Nut M3



2x Zip Tie



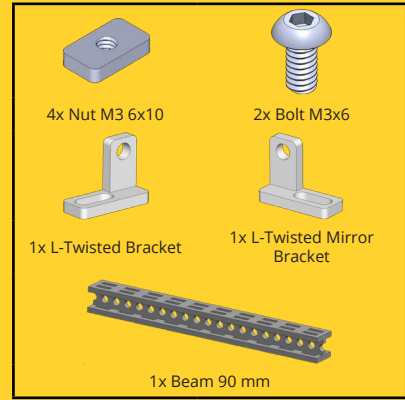
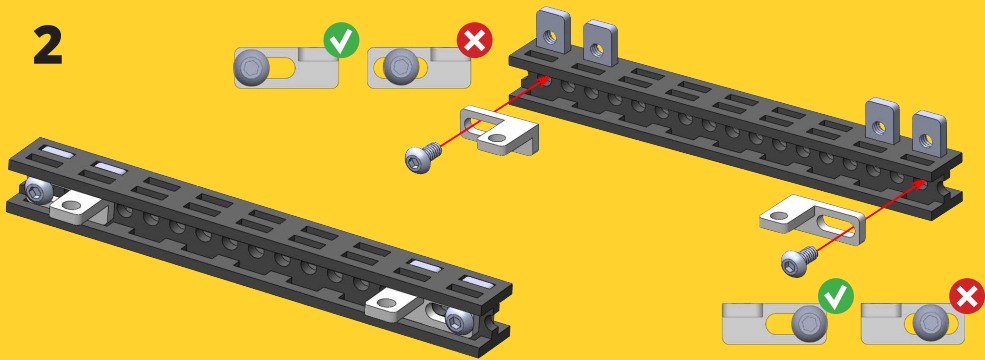
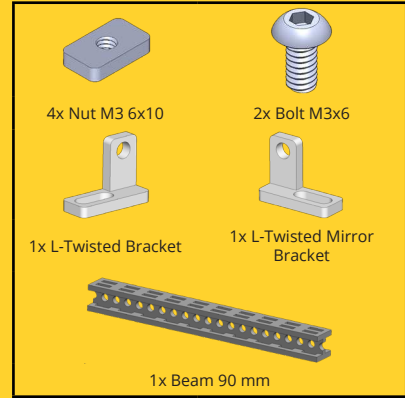
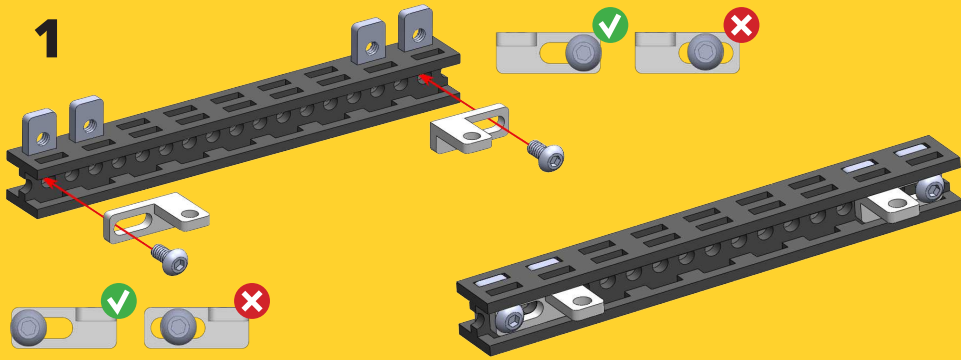
6x Nylon Standoff M3x8



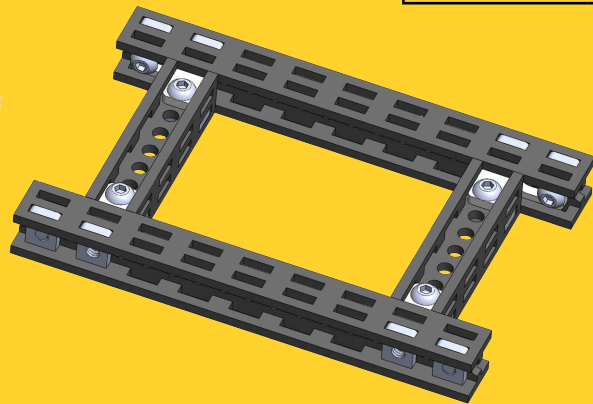
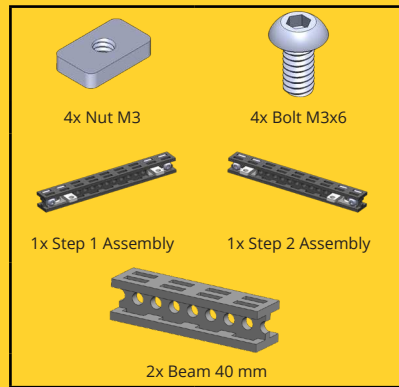
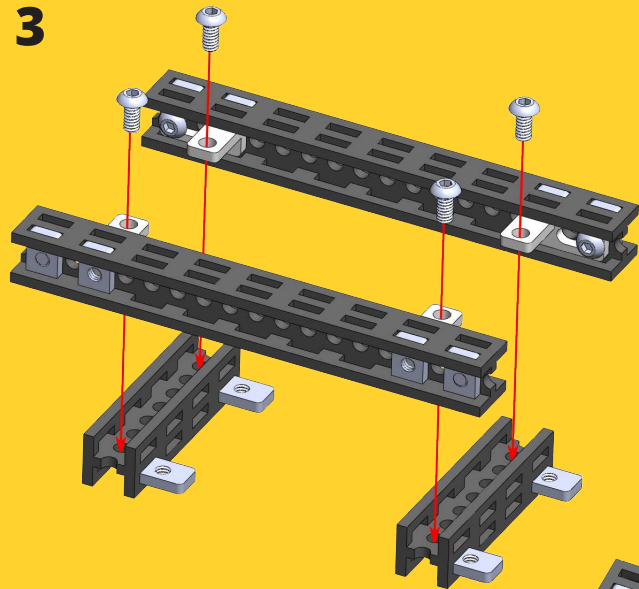
1x Totem Wrench



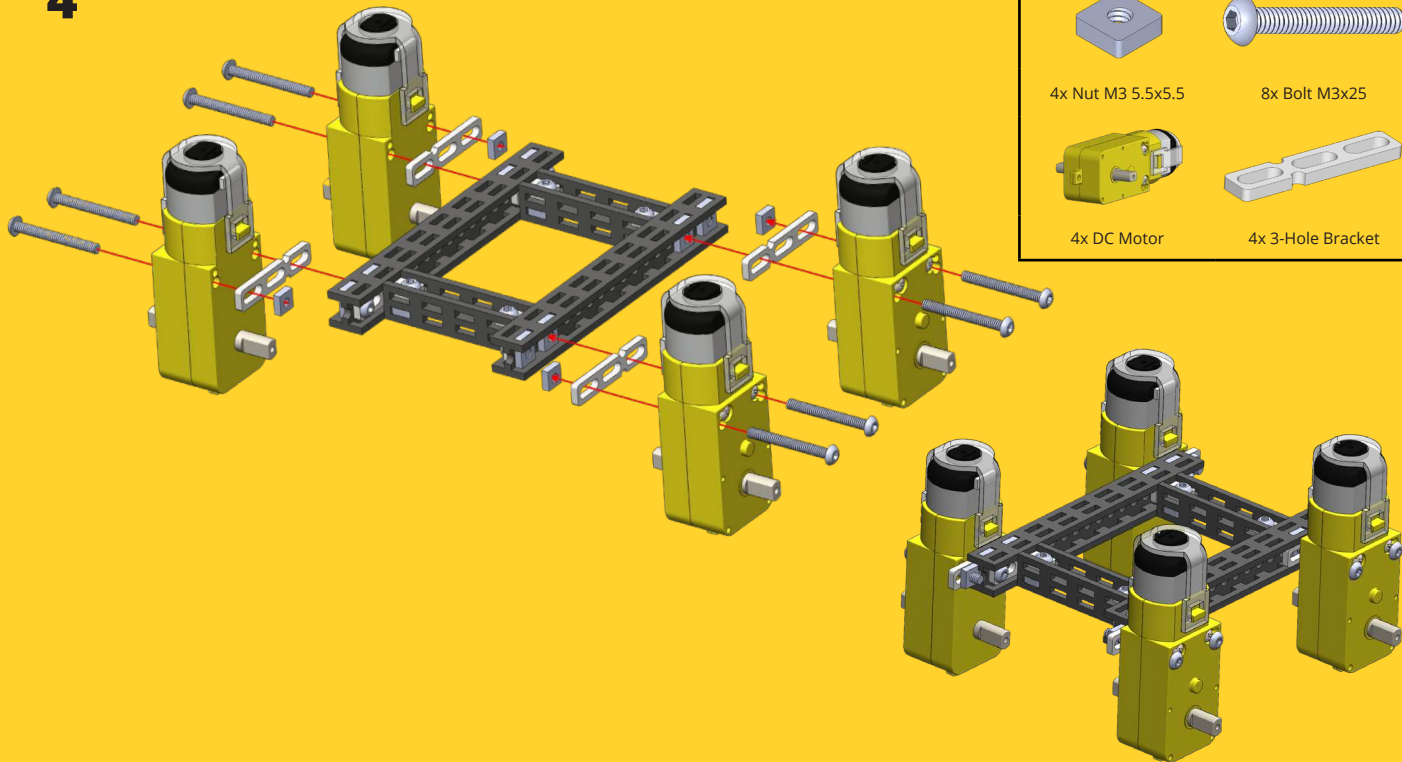
1x Totem Screwdriver



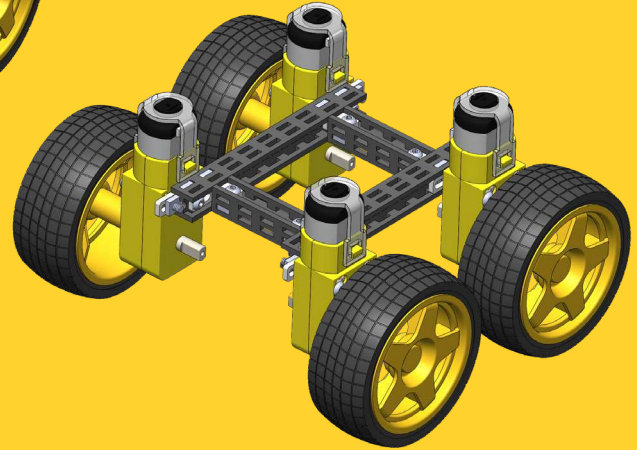
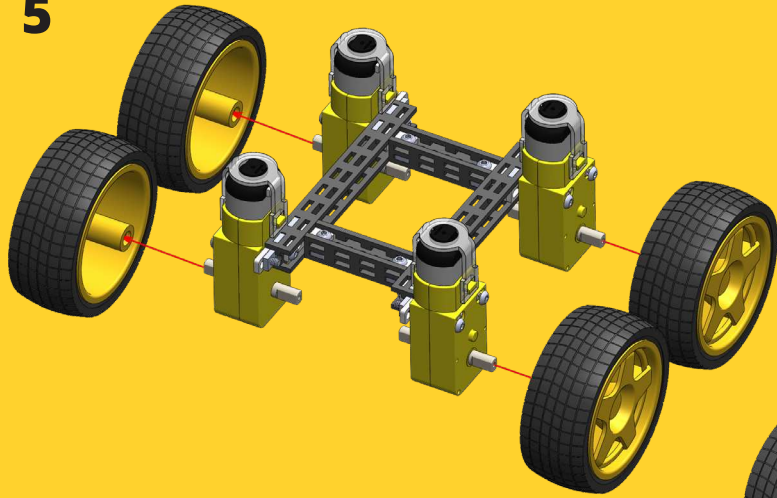
3



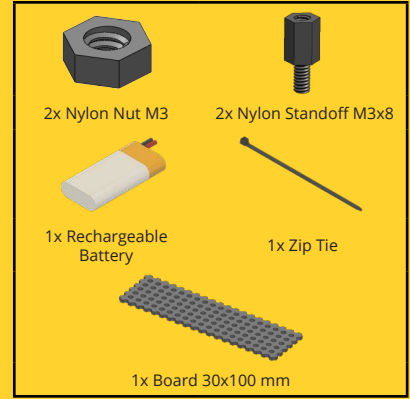
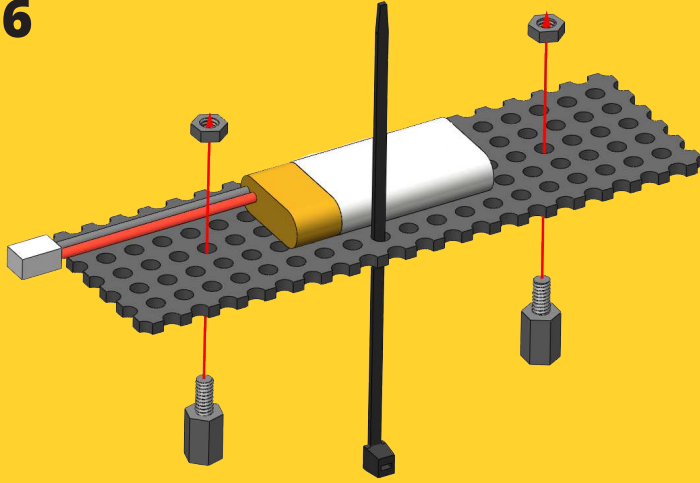
4



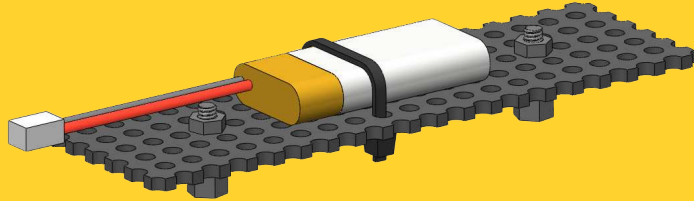
5



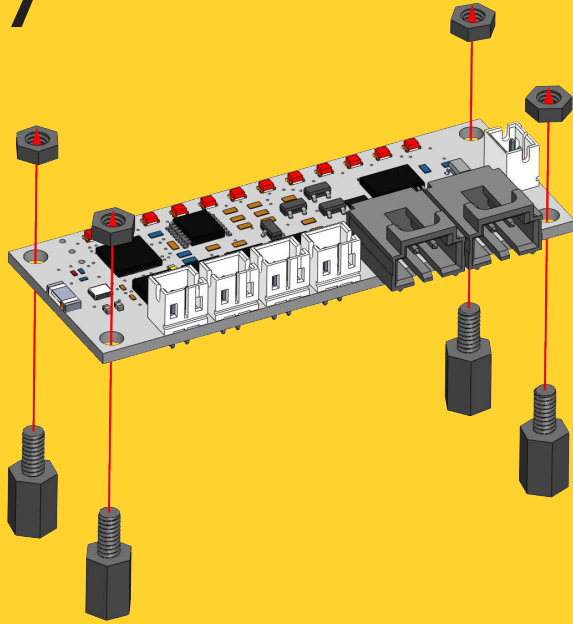
6



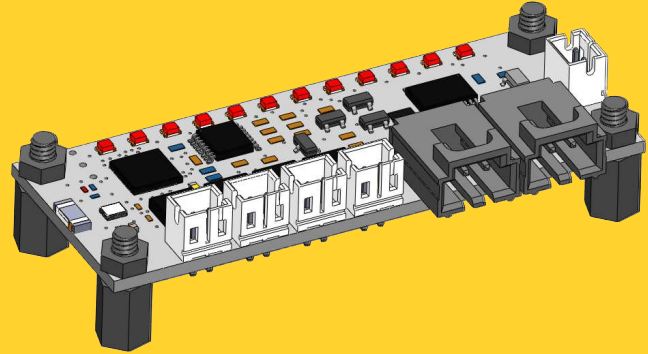
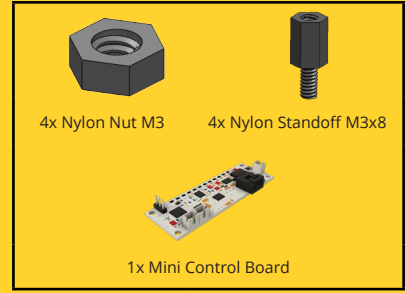
Gently tighten
Nylon Standoffs
and Nylon Nuts
with your fingers.



7

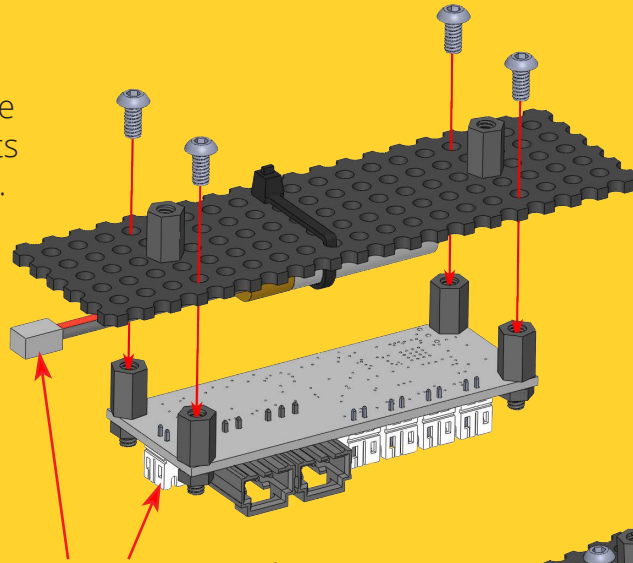


Gently tighten
Nylon Standoffs
and Nylon Nuts
with your fingers.

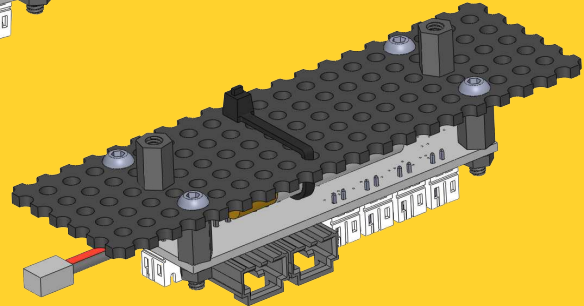
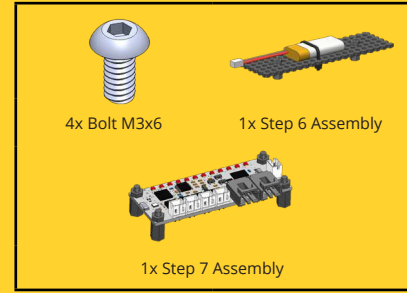


8

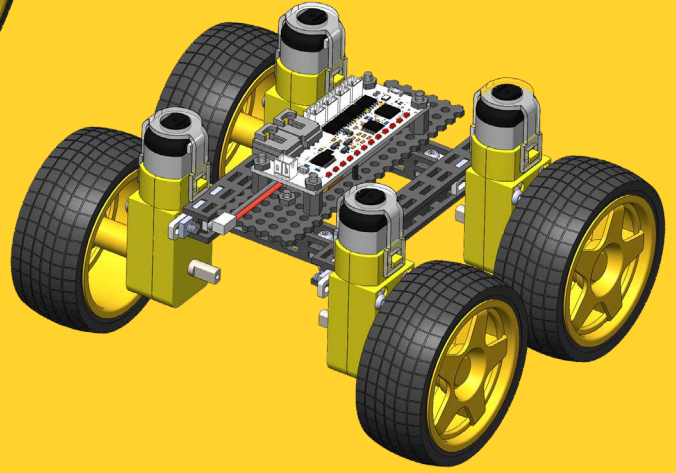
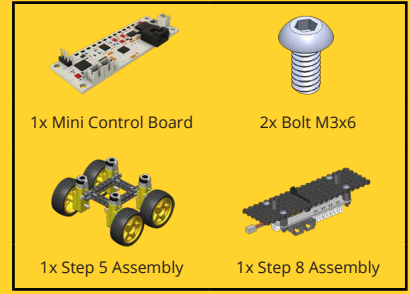
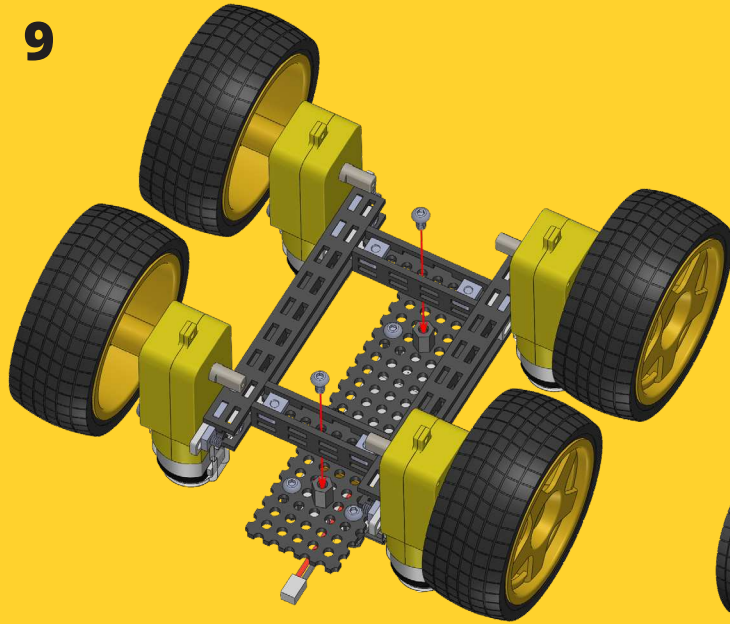
Don't use much force when tightening Bolts into Nylon Standoffs.



The battery's connector and board's battery connector should be facing the same side so they can be easily connected.



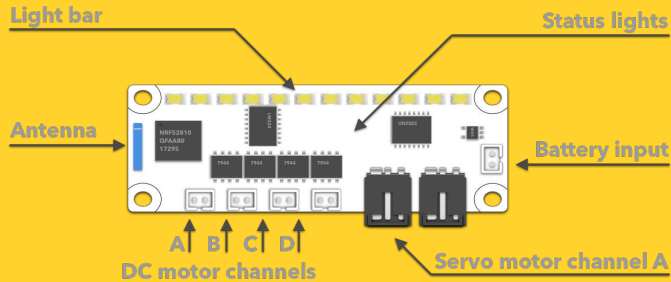
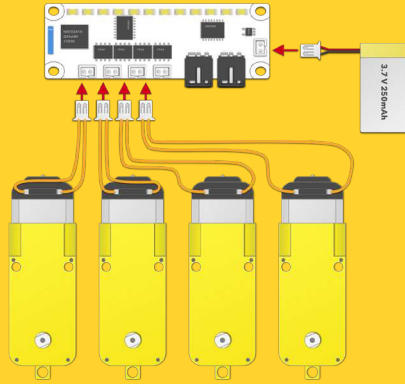
9



Tighten the Bolts into Nylon Standoffs gently.

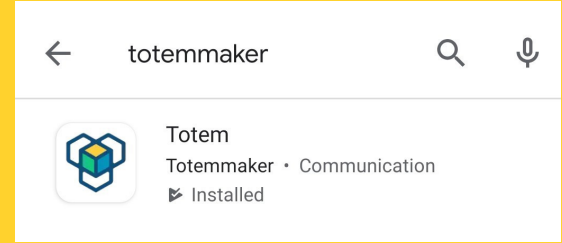


CONNECTING ELECTRONICS



HOW TO CONTROL?

Download Totem app on your smartphone or tablet via App Store or Google Play.



Follow the step by step guide to connect your 4 Wheels Drive to your device.



Search for:
Totemmaker





Woohoo!

Congratulations on
assembling your 4 Wheels
Drive Motor Wheel Platform.
Now let the games begin!



PRECAUTIONS: ELECTRONICALLY OPERATED PRODUCT

Do not give this product to children aged 8 or below. As with all electronic products, precautions should be observed during handling and use to prevent electric shock.

Adult supervision required.

Note to adults: to ensure that the child's play is both safe and fun, please review all operating instructions and safety rules with your child.

SAFETY WARNINGS:

- Do not pick up vehicle while in motion.
- Keep fingers, hair, and loose clothing away from rotating wheels, to avoid the injury.
- Adult supervision is required when this vehicle is being operated.
- If you stopped operating the vehicle, remember to unplug the battery, to avoid accidental operation.
- If the vehicle is dirty, please clean it with dry and soft cloth. Do not clean electronics.
- Do not expose the vehicle to high temperature, high humidity, or direct sunlight.
- Indoor use only. Do not put this product in water to avoid damaging its electronic components.
- The product is made of complex electronic circuit and electronic components, do not disassemble, or modify the circuit board.

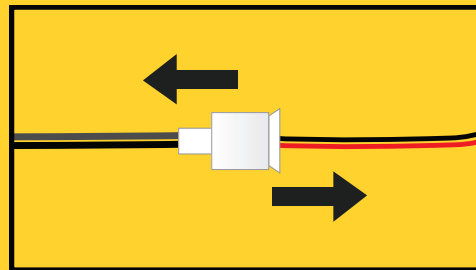
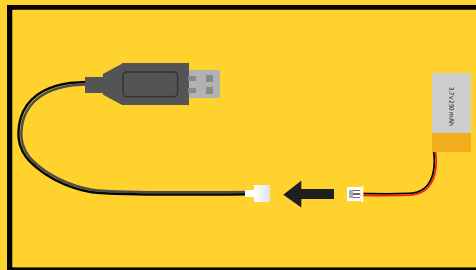
BATTERY SAFETY INFORMATION:

- This vehicle is designed to work with provided 250 mAh 3.7V LiPo battery and charger.
- Rechargeable battery must be charged by adult only.
- Do not leave charging without supervision of adult.
- There is a risk of fire and personal injury if battery is punctured, damaged or misused.
- Do not disassemble or damage the battery pack.
- Use only the supplied 250 mAh 3.7V LiPo battery battery. Using any other battery may damage the model.
- Use only the included USB charging cable to charge the battery.
- Please check on a regular basis the wire, plug, battery, charger, and other electronic parts on the vehicle. If any damage is found, please stop using the product immediately.
- Stop charging if battery becomes hot, smells, smokes or gives off strong odour.
- Never throw batteries into fire to avoid explosion or leakage.
- Check the batteries on regular basis to avoid leakage.
- Recycle or dispose of batteries according to local laws and guidelines.

BATTERY CHARGING:

Rechargeable battery must be charged by adult only.

- The new battery pack needs to be charged before use.
- Connect the USB charging cable to 5V USB power source, such as laptop.
- Connect the battery to the charger (see picture 1). The charger will show a red LED light when charging the battery. When the battery is fully charged, the red LED light turns off.
- To disconnect cables, hold the connectors of both cables and pull apart (see picture 2).
- Do not attempt to overcharge the battery.



KEEP THIS INSTRUCTION MANUAL AND THE PRODUCT BOX AS IT CONTAIN IMPORTANT INFORMATION FOR FUTURE REFERENCE.

Due to the continuous product improvement, the pictures on this manual may differ slightly from the actual product. Please adhere to actual product instead.

Totem Maker names and logos are registered trademarks. All rights reserved.

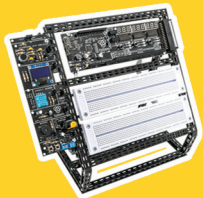
www.totemmaker.net
Aldrea filalas Totem, UAB
Saulėtekio al. 15-709, Vilnius, 10224, Lithuania
For customer support please contact: support@totemmaker.net

 **WARNING:**

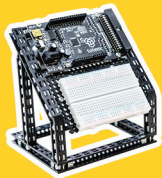
CHOKING HAZARD - Small parts.
Not for children under 3 years.



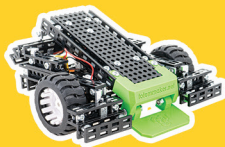
Discover more of Totem:



Mini Lab



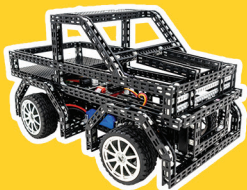
Micro Lab



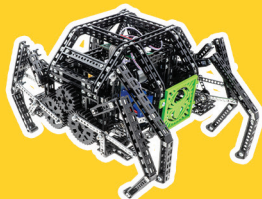
Mini Trooper



Young Engineer Kits



T.R.U.C.K. Car Kit



Spider

Find us here:

 @totemmaker

 totem_maker

 totemmaker

 @totemmaker

And tag us in your post
with **#totemmaker**

www.totemmaker.net