



totem

Mini Lab

I/O Side panel

Side panel 1



Totem Technology, UAB

ver 1.1

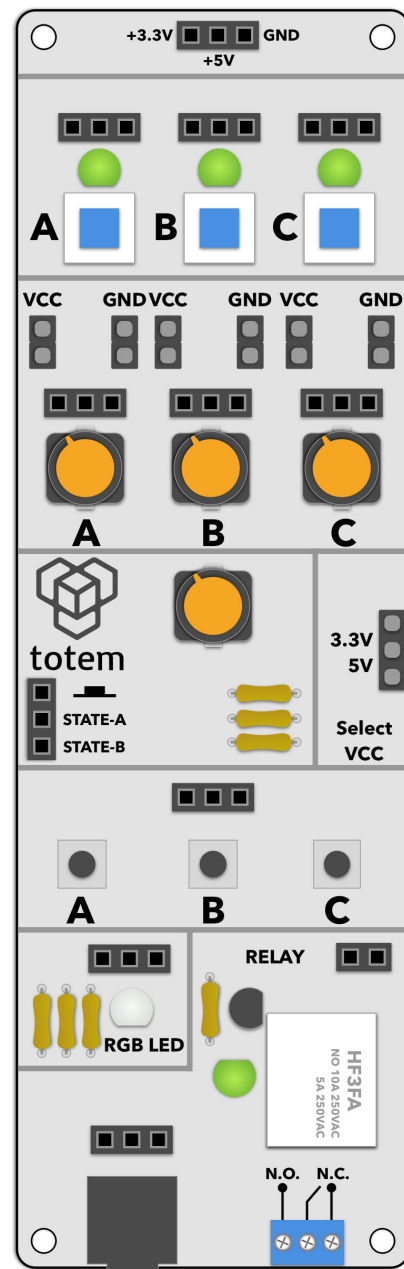
Overview

This is a getting started guide for the first expansion board for the Totem Mini Lab system. In this document we'll go over all of the available modules in the board, together with explanations on their interface with the Mini Lab as well as usage examples.

Side panels are meant to bring easy access to commonly used components that are difficult to wire on breadboards due to their dimensions, or require additional equipment to operate them. These panels give a plug and play interface that lets users to concentrate on experiments or learning, rather than spending time solving issues on how to interface with the part.

This document is divided into sections where each separate module is described. In the side panel 1 these modules are available for use:

- **Latched switches with LED indication** — can be wired to use normally-on or normally-off position. Includes an LED for push indication.
- **Potentiometers**— group of potentiometers that can also be used as a simple voltage divider.
- **Encoder with push switch** — a two line encoder that gives out pulses when rotated. Also includes a pushable button.
- **Push switches** — simple buttons for signal output.
- **RGB LED** — full color LED that can be used to learn about PWM.
- **Relay module** — includes an integrated driver, can be used with currents of up to 10 A.
- **3.5 mm jack adapter** — provides an easy access to a headphone jack connectors.



Modules

In the board only the supply power is shared between modules. Otherwise they're fully isolated from one another, and can be used independently. Logic level for digital signals have a jumper which selects the boards to work either at 3.3 or 5 V logic level. It's important for the side panel to have the same logic level as the controller board (e.g., TotemDuino), for best results.

Switches

Push-button switches have two channels – one is used for indicating the current state with an LED, and the other can be employed for own use:

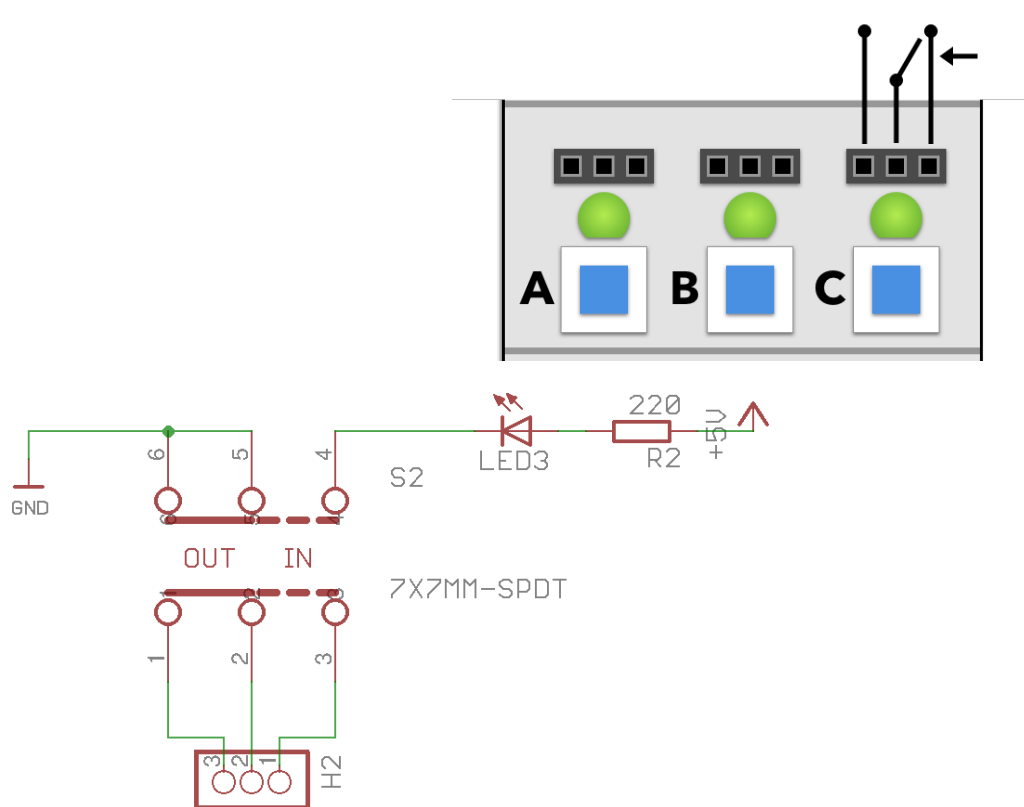


Fig. 1 Switches module schematic

Pins 1 and 2 (together with 5 and 6) are normally connected when the switch is in the “off” position. When button is pushed in, pins 2 and 3 (together with 5 and 4) become connected.

On the side panel 1 there are 3 identical switches.

Potentiometers

Using jumpers JP3 and JP4 you can select the range of the potentiometer to be between supply voltage. In any other case jumpers may be removed, and side pins for connector H5 should be used.

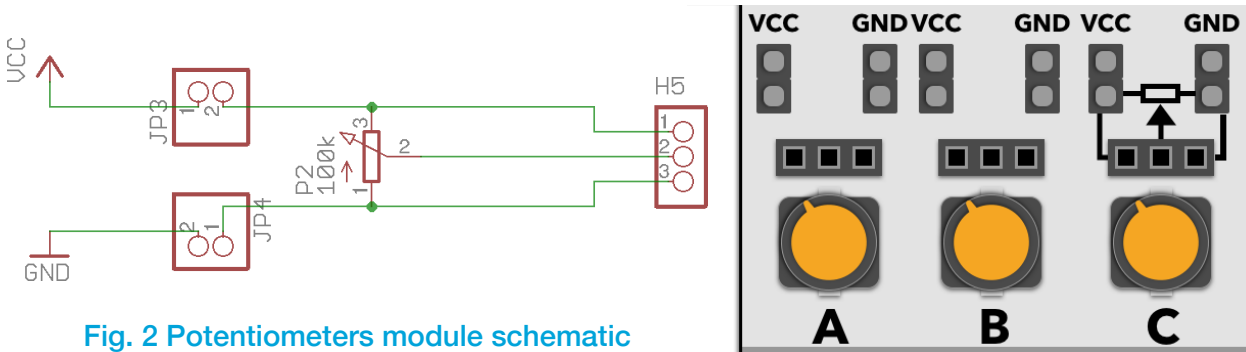


Fig. 2 Potentiometers module schematic

Similarly as with the switches, there are 3 identical potentiometers in side panel 1 as well.

Encoder

This device captures control knob rotation and outputs two phase-locked signals on its output at connector H7, pins 2 and 3. As these signals are always delayed by 90 degrees from each other, its possible to extract direction information from these signals, together with rotation speed from the frequency of it.

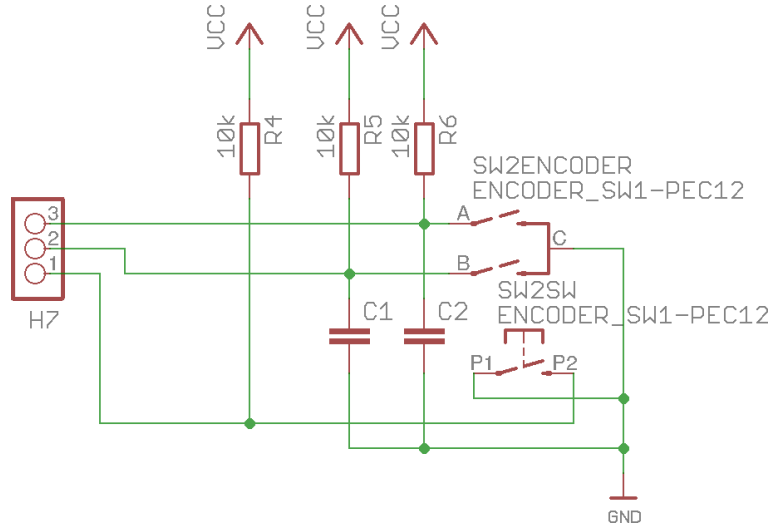


Fig. 3 Encoder module schematic

Push-button is also included in the encoder, and connected to the H7 connector pin 1.

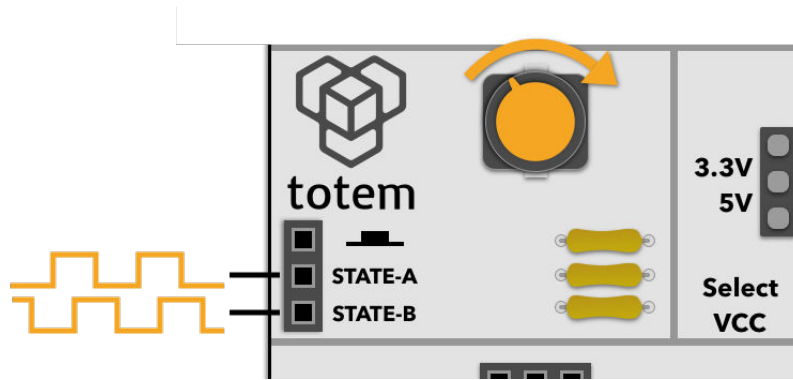


Fig. 4 Encoder working principles

Buttons

These are simple non-locked buttons that connect the signals from connector H8 to ground. Because of their size buttons are sometimes difficult to mount on breadboard, so side panel 1 gives a convenient access to them, where only a single wire can be used to wire a button. You get 3 buttons on a side panel:

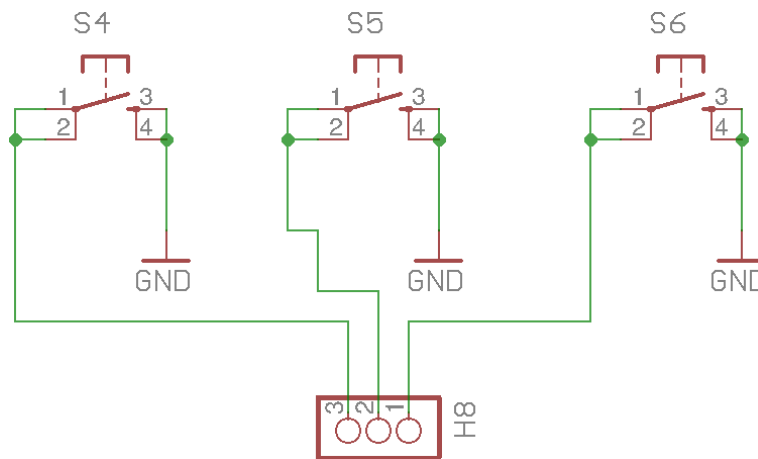


Fig. 5 Buttons module schematic

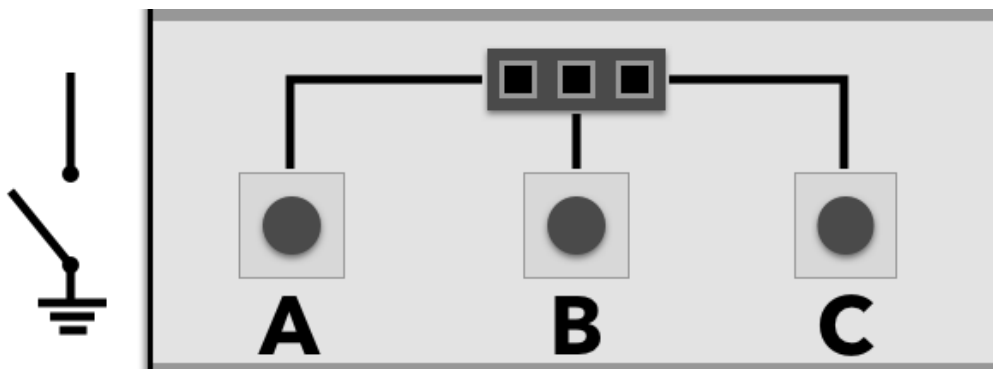


Fig. 6 Buttons location in side panel

RGB LED

This is a three color LED in one package. Each LED can be controlled independently from others from pin H9. This is a great module to experiment with PWM signals, and to create different colours by varying intensities of separate LEDs.

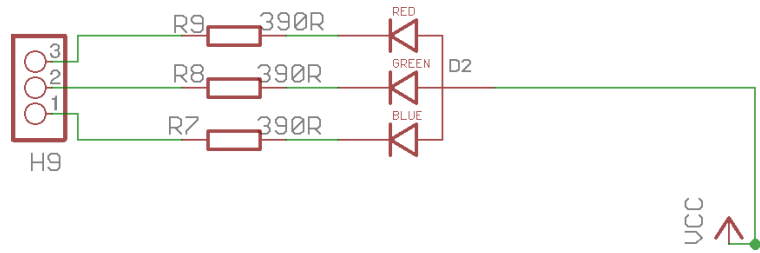


Fig. 7 RGB LED module schematic

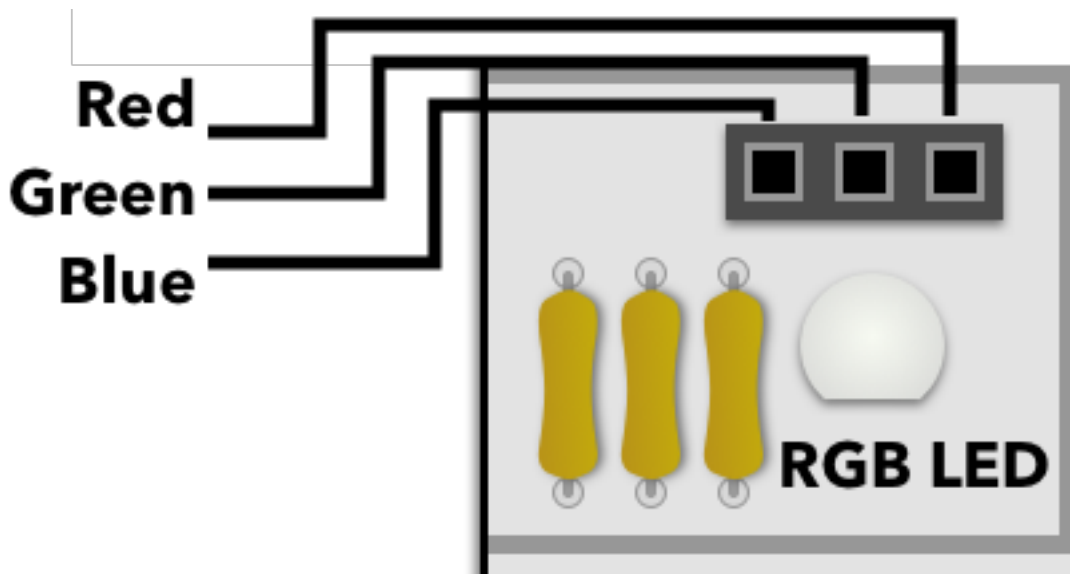


Fig. 8 RGB LED channels

Relay module

This module has a single relay, driven by a transistor. Using H11 connector as an input, you can control the relay with logic level signals. Relay activation state is show with LED4, and its output is connected to B1 terminals.

Used relay can control loads with up to 10 A.

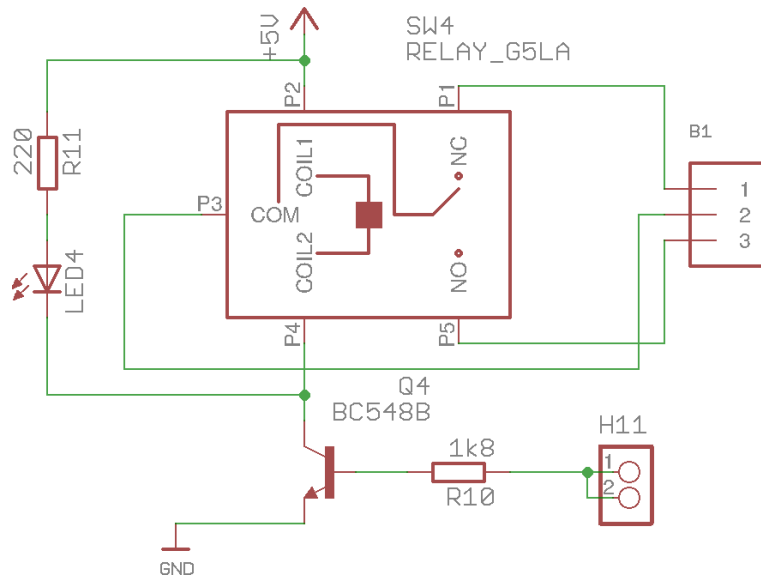


Fig. 9 Relay module schematic

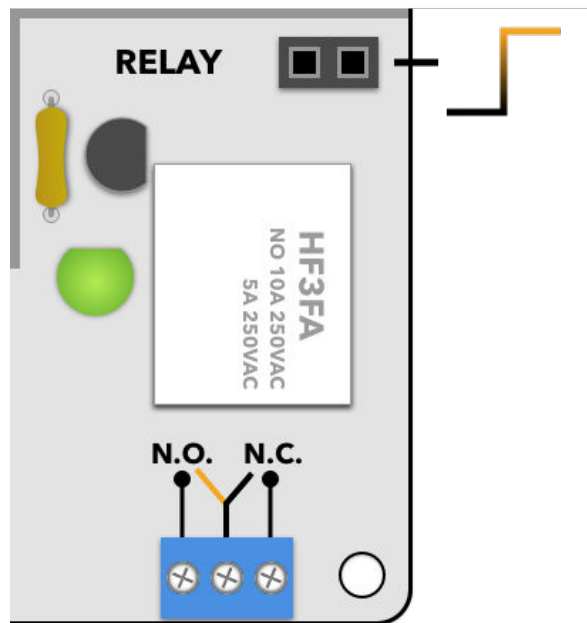


Fig. 10 relay working principle

3.5mm adapter

Purpose of this module is to give an easy access to a difficult to mount on a breadboard part. All signals from the jack are connected to H10 connector:

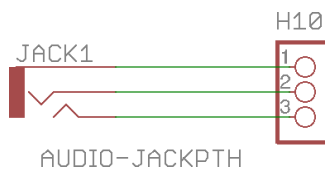


Fig. 11 3.5 mm adapter module schematic

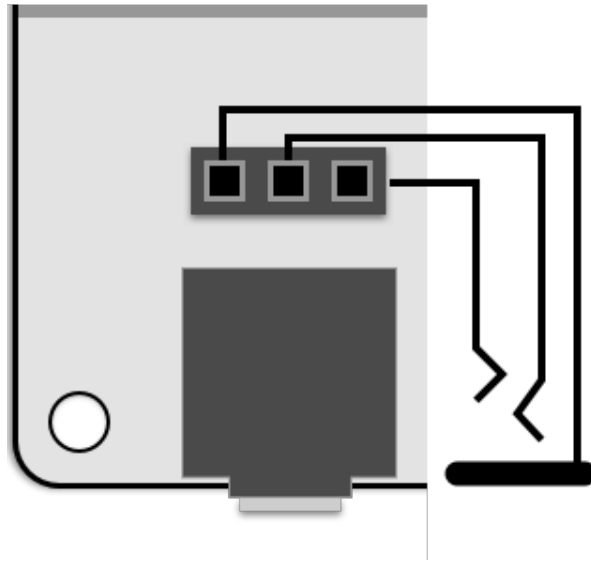


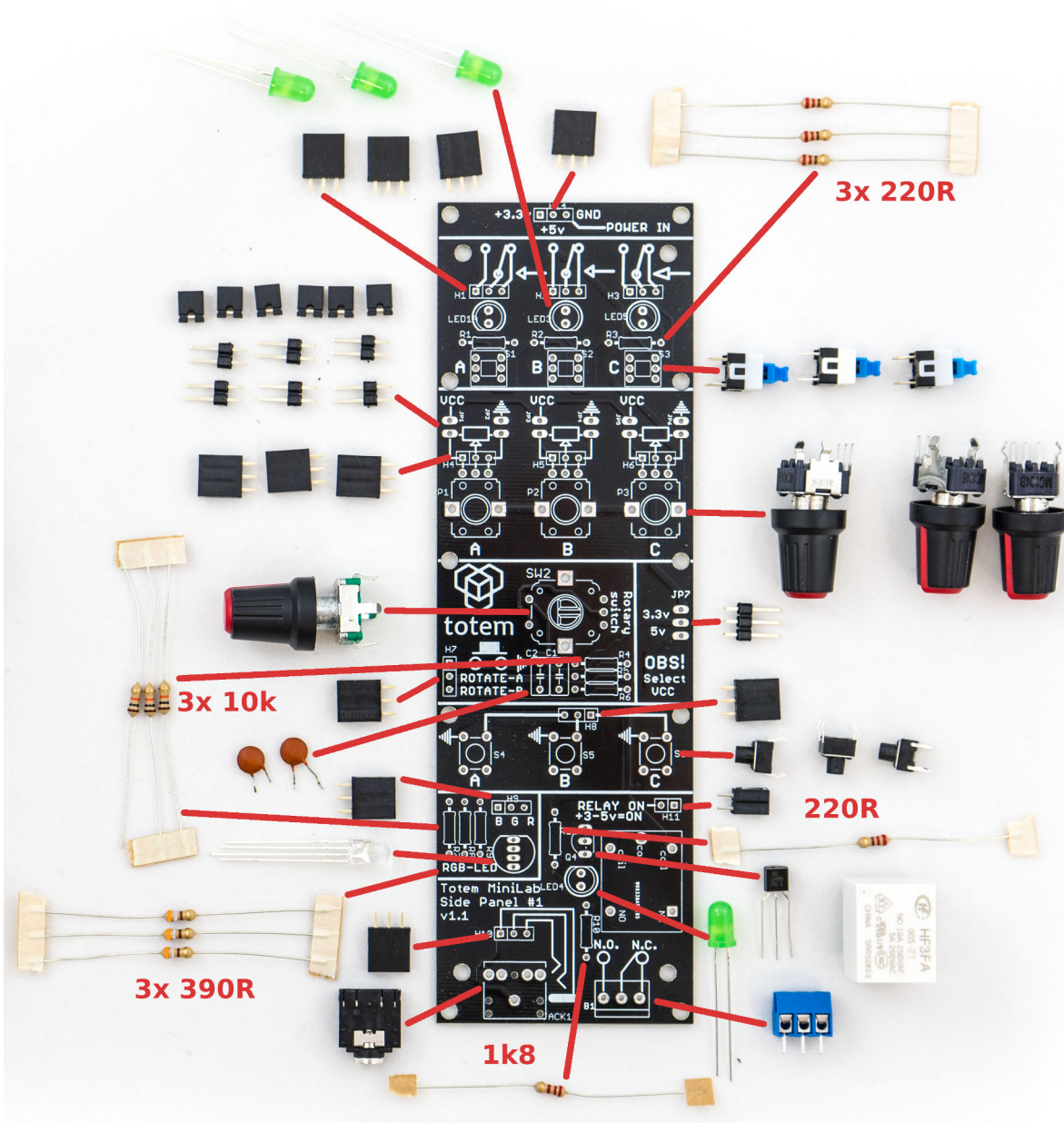
Fig. 12 3.5 mm audio jack breakout

Assembly

This section guides through the steps for assembling your side panel.

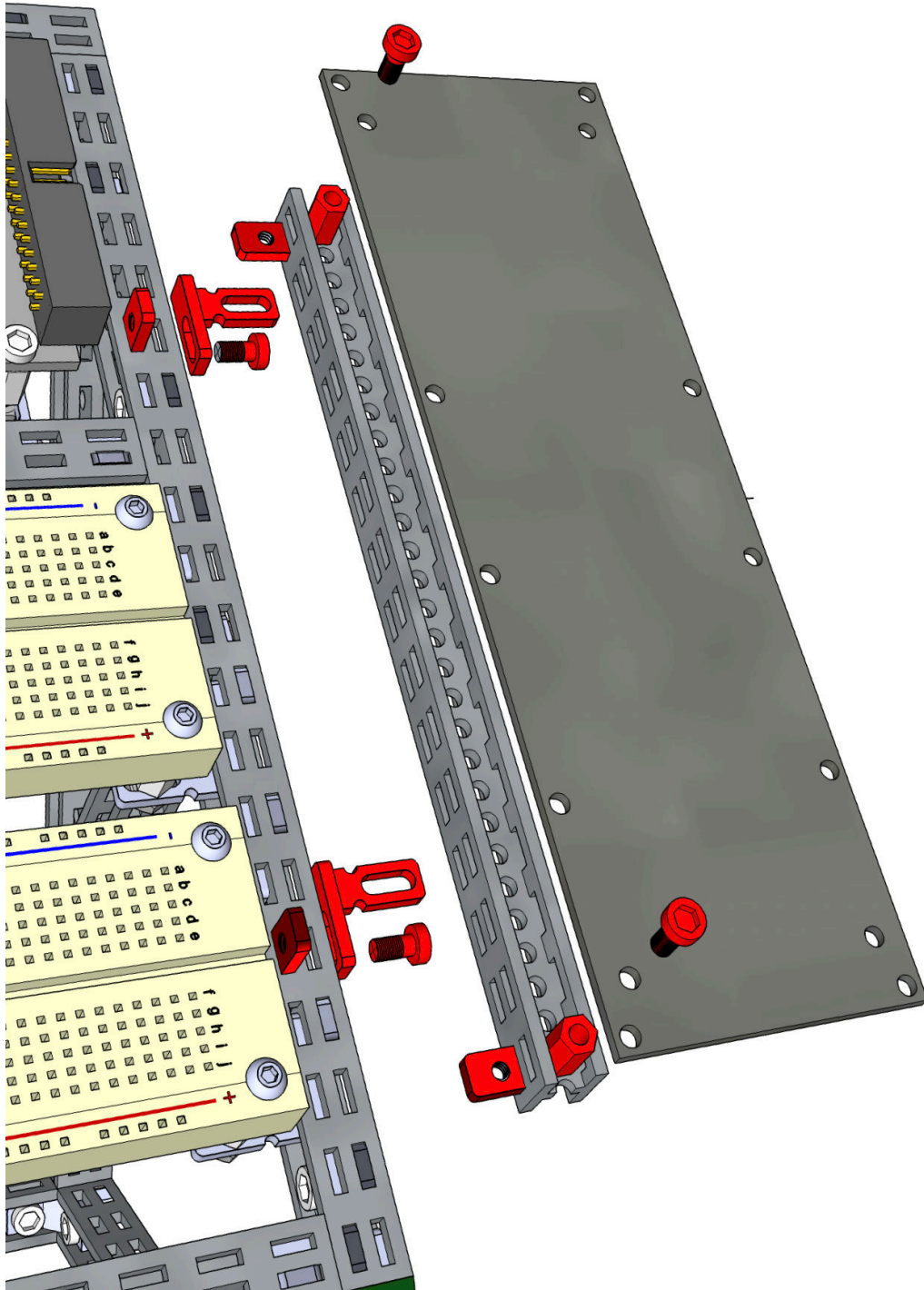
Side panel 1 with all through hole parts, almost all of which can only be mounted one-way because of their pin arrangement. Special care must be taken when mounting LED's and transistors, as they can only work one way. Parts have special indentations that are reflected on the board and must be matched.

As usual, we recommend starting your assembly from the smallest components such as resistors, and working your way up with larger ones. That way when you flip the board to solder the contacts, they will not fall out from their place. Use the following guide for assembly:



Mounting

We suggest using the following guide for side panel mounting to the Mini Lab workbench:



In this case, the sub-assembly can be easily taken off by sliding the pins from the sockets. If a more permanent assembly is needed, nuts and screws can be used to fix the sidepanel in place.

Schematic

