

# User's Guide

---

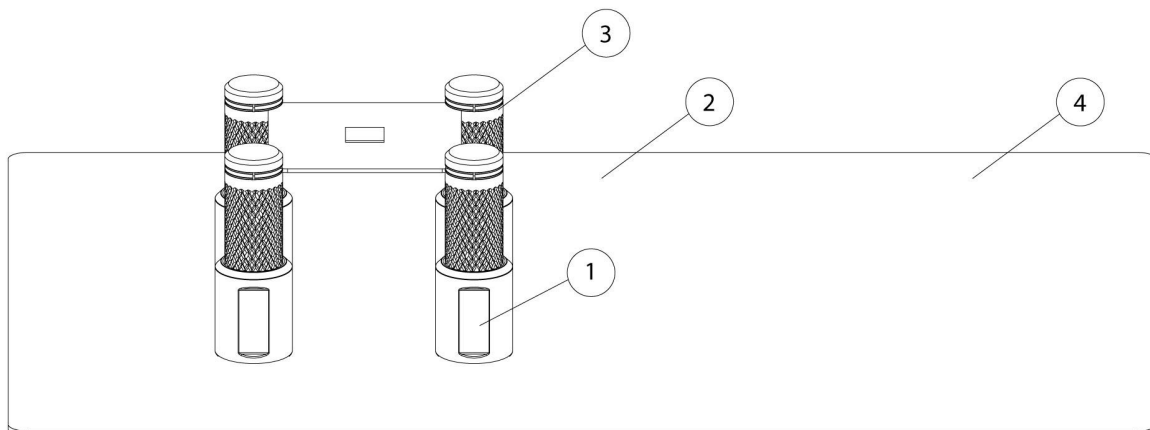
## PCBite kit

### Introduction

PCBite holds your circuit board during soldering, inspection and testing.

At the bottom of each holder is a strong magnet perfectly balanced in strength. A low friction bottom cap protects the magnet and makes the PCBite holder easy to slide. The “jaw” can open wide and a spring ensures a really strong locking force.

One side of the baseplate is matte and the other mirror polished. The mirror polished surface makes it easy to see components on the circuit board underside.



### Overview

1. Holder
2. Base plate
3. Insulation washer
4. Insulation cover\*

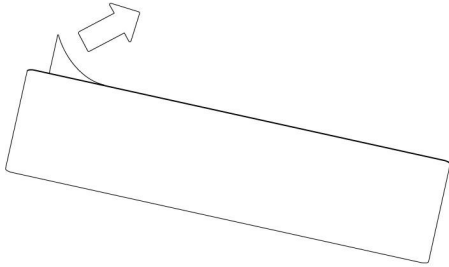
*\*Not included in all kits. Available as an accessory and sold separately (article 4017).*

## Getting started - Baseplate

The baseplate has two sides for different usage and preference.

A microfibre cloth or similar can be used to polish the mirror surface

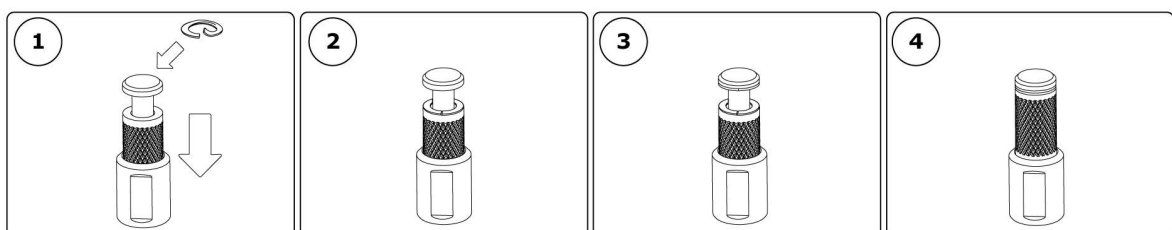
The mirror polished side is covered with a protective film and must be removed before use.



## Getting started - Insulation washer assembly

Add extra isolation during measurements with the washers.

1. Pick up the washer end and press the sleeve downwards. Notice the open slot on the washer
2. Slide the washer around the pin and place the adhesive towards the lower aluminium surface
3. Repeat for upper side
4. Release the spring loaded sleeve

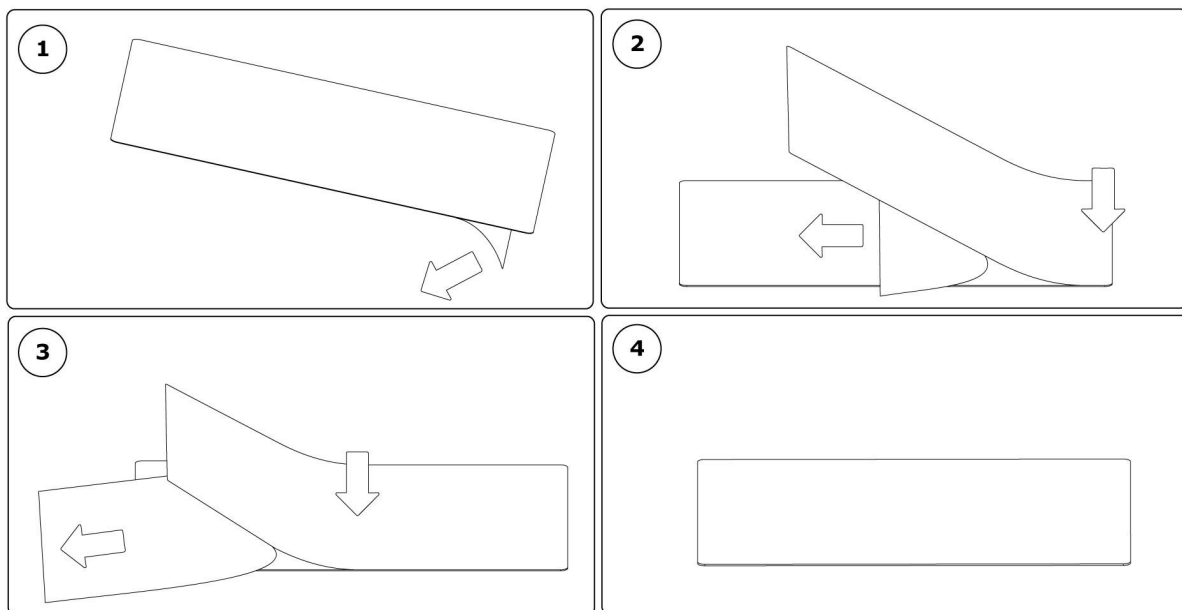


Do not use the washers for environments above 85°C (185°F).

## Getting started - Insulation cover assembly\*

The cover protects your base plate, adds extra isolation during measurements and is also great for use with a microscope to avoid reflective light.

1. Pick up the cover end peel of the release liner a little bit to reveal the adhesive
2. Align the edge on the cover towards the edge on the base plate and press along the edge to make the adhesive stick
3. Keep removing the release line carefully and keep pressing the cover towards the base plate. Make sure the cover is aligned to the base plate
4. You are finished!



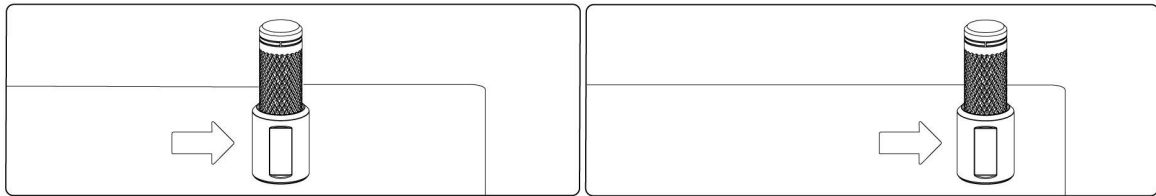
Do not use the cover for environments above 85°C (185°F).

*\*Not included in all kits. Available as an accessory and sold separately (article 4017).*

## Operating Instructions

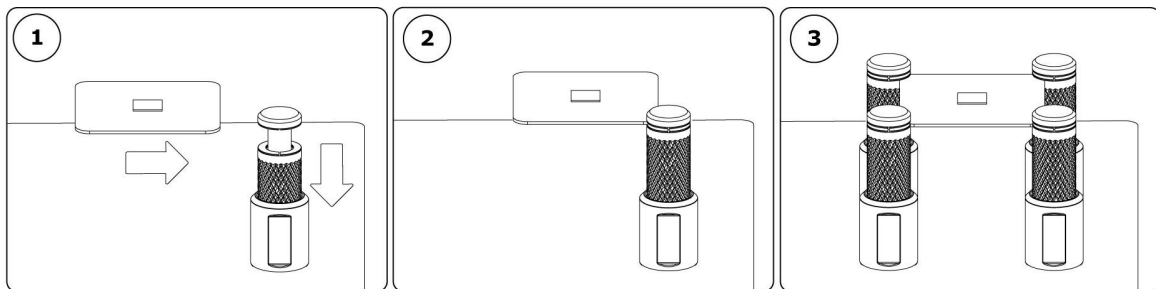
**Position the holder** - Place the holder on the base plate and the magnet will keep it in place

**Reposition the holder** - Slide the low friction holder on the base plate



### Fasten a circuit board

1. Press the sleeve downwards and insert the circuit board
2. Release the spring loaded sleeve gently and fix the circuit board
3. Slide the required number of holders into position. Make sure the holders are evenly distributed around the circuit board



## Warranty

Sensepeek products are warranted for 12 months from the date of purchase. The warranty covers defects in material and workmanship. This warranty does not apply to components (parts and accessories) subject to natural and normal wear and tear. This warranty does not in any way limit the rights you have under mandatory law.

## Disposal



Sensepeek offers our customers the opportunity to return products at the end of their functional lives to Sensepeek for recycling. Qualifying products are marked with the WEEE symbol shown above. Or ensure WEEE compliant collection and treatment yourself. Do not dispose of this product as unsorted municipal waste

Delivery cost of any authorized product returned to Sensepeek will be at the expense of the sender.



