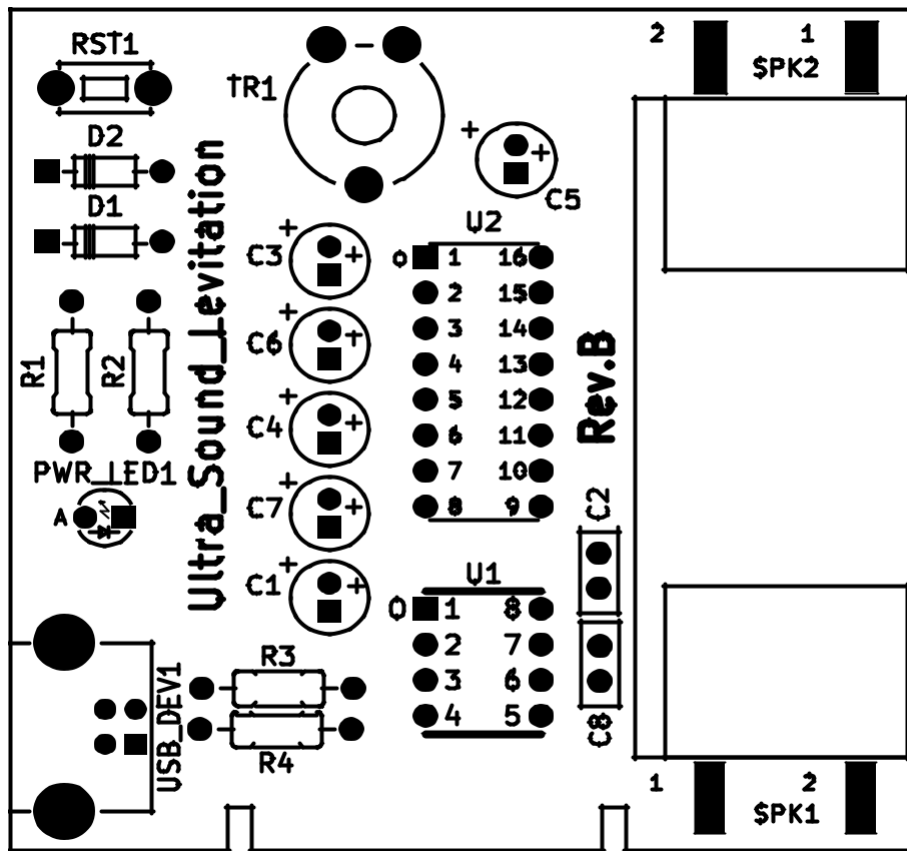


## Ultra Sound Levitation Assembly



| Qty | Designation   | Package                   | Position               |
|-----|---|---------------------------|------------------------|
| 2   | Resistor – 22R/0.25W<br>red, red, black,<br>gold    | R_0.25W_PTH               | R3, R4                 |
| 2   | Resistor – 1.5k/0.25W<br>brown, green, red,<br>gold | R_0.25W_PTH               | R1, R2                 |
| 2   | Capacitor- 100nF/25V/2010                           | C2010                     | C2,C8                  |
| 6   | Capacitor – 4.7uF/50V                               | CPOL-<br>RM2mm_5x11mm_PTH | C1, C3, C4, C5, C6, C7 |
| 2   | Diode – 1N4148/DO35                                 | DO35_1K_2A                | D1, D2                 |
| 1   | LED – 3mm – Green                                   | LED-3mm-PTH-KA            | PWR_LED1               |
| 1   | TRIMMER – PIHER PT10LV<br>10K+KNOB                  | TRIM_PIHER_PT10LV         | TR1                    |
| 1   | ATtiny85-20PU                                       | PDIP-8                    | U1                     |
| 1   | MAX232EN  | PDIP-16                   | U2                     |
| 1   | Button- T1101GP                                     | T1101_GP-6x3x4.3          | RST1                   |
| 2   | BUZZER - TCT40-16T                                  | SPEAKER_ULTRASONIC        | SPK1, SPK2             |
| 1   | USB-B   | USB-B(USB-SRWH-4B-LF)     | USB_DEV1               |

Remark 1: Yellow background components have POLARITY!

Remark 2: The longer leg of PWR\_LED1 is Anode(positive)