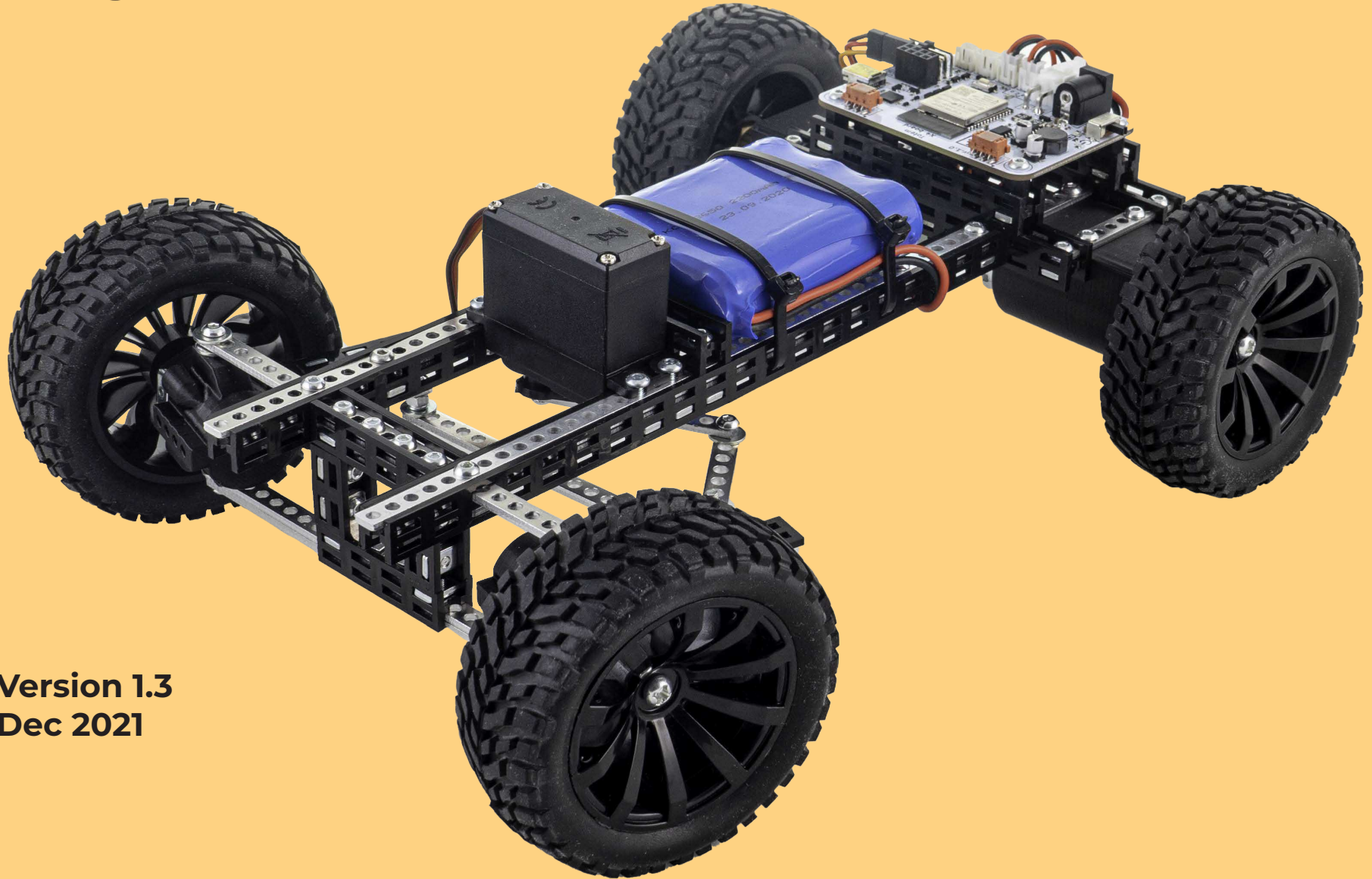
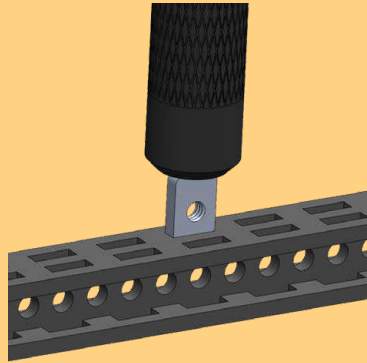


Totem RoboCar Chassis. Building instructions.

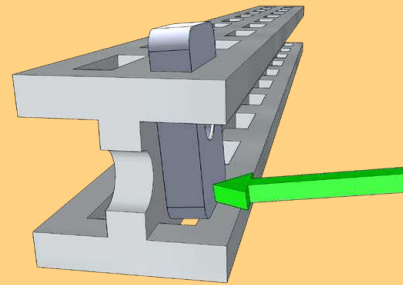


Version 1.3
Dec 2021

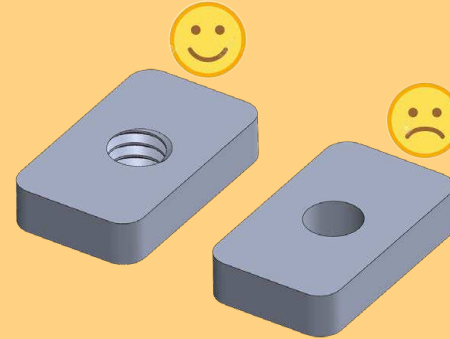
Starting tips.



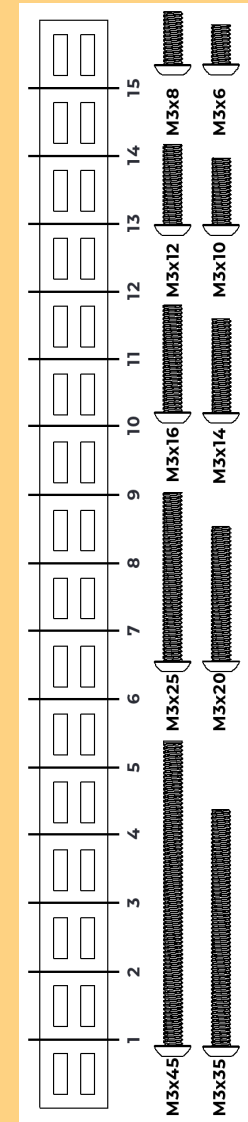
Use the back of the screwdriver to push the nuts into the slots.



After entering the nut, it sometimes is stuck at the next slot. Use your thumb to push it straight, then continue to push it through.



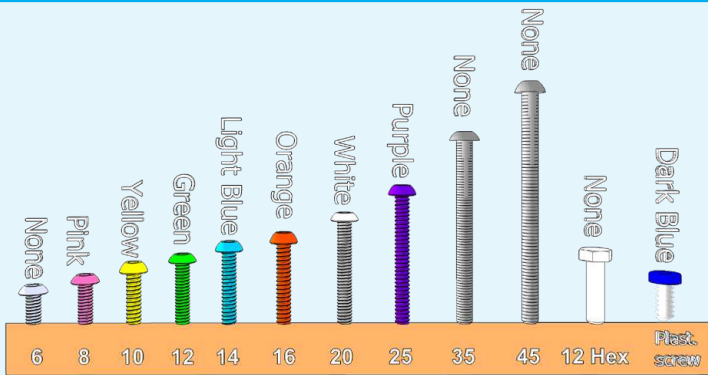
Some of the nuts (~1%) are missing threads. This is a manufacturing issue. We are trying to minimize the fault. In the mean time, we supply extra nuts in your kit. We apologize for the inconvenience.



Use Beam/Bolt ruler to help you find the right lengths of the bolts and beams.

For more tips, please go to the link below:
<https://totemmaker/blog/totem-mechanics-for-beginners/>

BEFORE YOU START BUILDING:

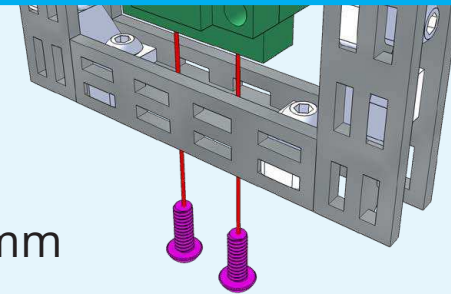


Bolt colours codes:

We have put some colours on bolts to make instructions more clear.

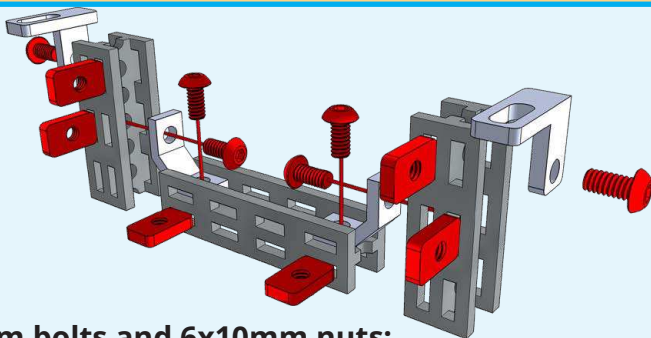


NOTE: 2x 8mm



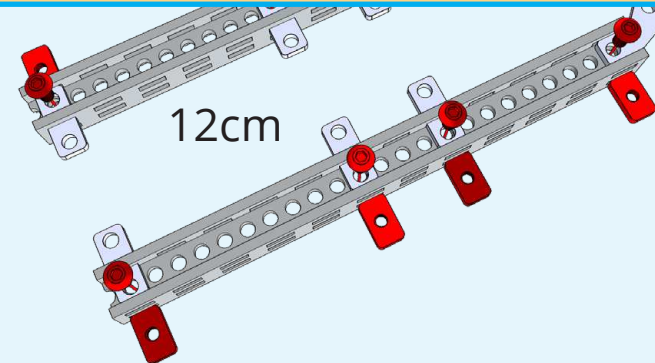
Notes for bolts other than 6mm:

When bolts that are not 6mm will be used, in addition to colours, extra notes are given in the instructions with lengths in mm.



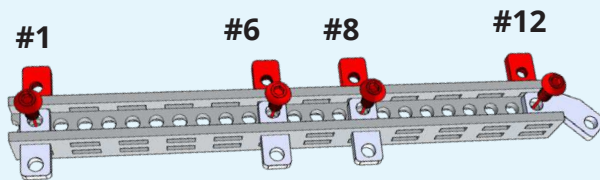
6mm bolts and 6x10mm nuts:

When starting on a building step, the 6mm bolts and 6x10 nuts are coloured **RED**. It makes it easier to see where the new bolts and nuts are placed.



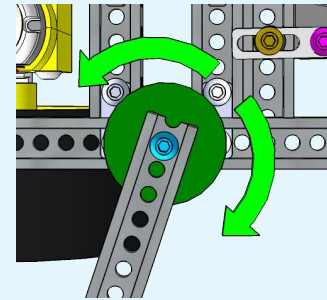
I-beams lengths.

When a new Totem beam is needed in a step, the length is indicated.



Positions for nuts with #-symbol.

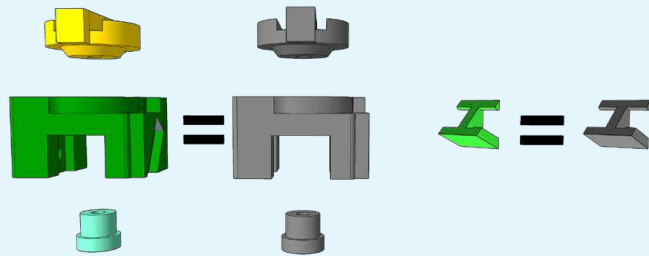
When it is helpful, the slot-number is indicated in the Totem beam. Starting from #1 and counting slots.



Don't tighten link too much.

Green Rotating Arrows = rotating action.

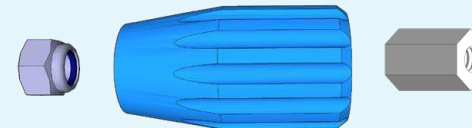
When a connection is a rotating hub, you must not tighten the bolt and nut too much. Test it for a smooth rotation, but not too wobbly either.



The colour of parts.

The colours of plastic part may vary. Colours are often changed on parts to make it easier to see them in the instructions pictures.

Totem Wrench Socket



Helpful little tool:






Included in the kit is a small hex-socket used for fastening Lock Nuts and Nylon Towers. The pointy end is for Lock Nuts.




Totem RoboCar Chassis Parts.

<p>47x</p>  <p>Bolt M3x6</p> <p>10x</p>  <p>Bolt M3x8</p> <p>13x</p>  <p>Bolt M3x10</p> <p>4x</p>  <p>Bolt M3x12</p> <p>6x</p>  <p>Bolt M3x14</p> <p>4x</p>  <p>Bolt M3x16</p>	<p>38x</p>  <p>Nut M3 6x10</p> <p>6x</p>  <p>Nut M3 5.5x5.5</p> <p>7x</p>  <p>Lock Nut M3</p> <p>2x</p>  <p>2-hole Simple</p> <p>6x</p>  <p>C-Bracket</p> <p>1x</p>  <p>2 hole 90 deg</p>	<p>1x</p>  <p>L-Twist</p> <p>1x</p>  <p>L-Twist mirror</p> <p>11x</p>  <p>Metal washer M3 9x0.8mm</p> <p>4x</p>  <p>Threaded spacer M3x8mm</p> <p>1x</p>  <p>servo motor with strip arm</p>	<p>2x</p>  <p>18mm Wheel Barrel</p> <p>2x</p>  <p>12mm Bearing Axle</p> <p>2x</p>  <p>12mm Wheel Coupler 3D</p> <p>4x</p>  <p>Bearing 12x4x-18mm</p> <p>2x</p>  <p>25mm Motor Bracket</p>	<p>2x</p>  <p>25mm DC-motor geared</p> <p>2x</p>  <p>Lock Nut M4</p> <p>2x</p>  <p>4mm shaft to HEX 12mm wheel coupler</p> <p>4x</p>  <p>M4 Set-screw</p> <p>4x</p>  <p>77mm Wheel</p>	<p>4x</p>  <p>Bolt M4x10 for wheel</p> <p>6x</p>  <p>10cm ZIP TIE</p> <p>2x</p>  <p>20cm ZIP TIE</p>
--	---	--	--	---	---



STRIP BRACKETS:

	1x
	2x
	1x
	3x
	4x

Totem Beams:

	4 x
2 cm	4 x
3 cm	2 x
3 cm	2 x
4 cm	3 x
4 cm	3 x
6 cm	1 x
6 cm	1 x
7 cm	2 x
7 cm	2 x
10 cm	2 x
10 cm	2 x
20 cm	2 x
20 cm	2 x

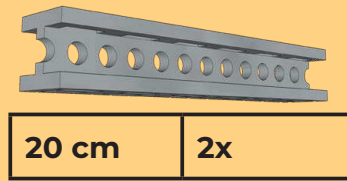
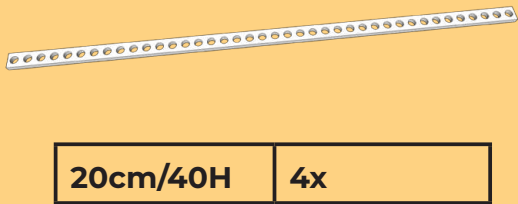
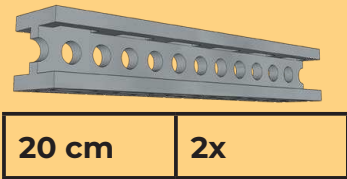
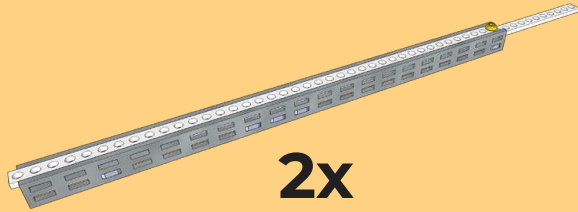
Tools:

1x	
Totem Screw Driver	
1x	
Totem Wrench Socket	

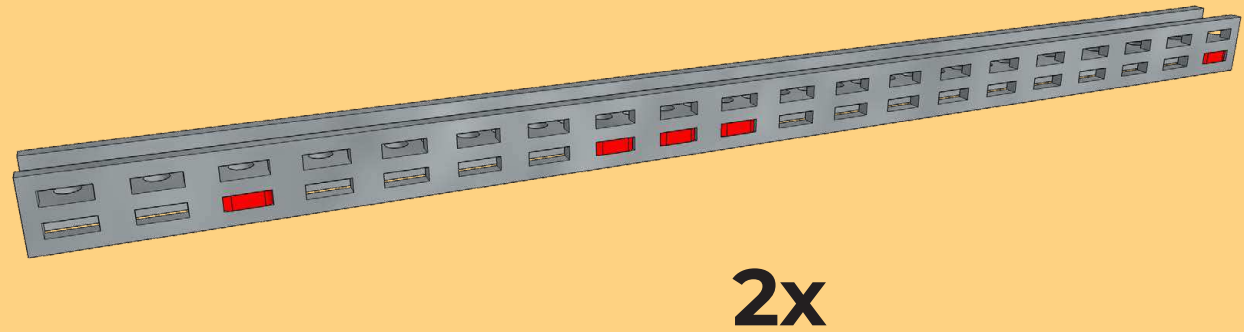
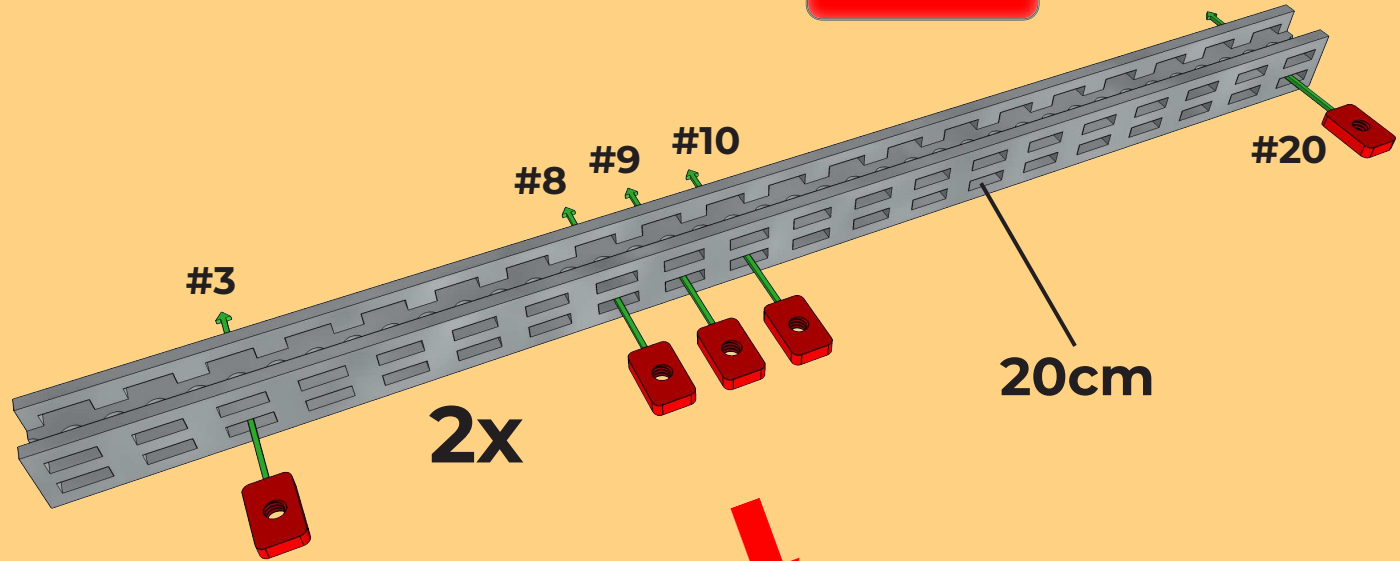



X4 Totem Robotics controller with battery and charger.

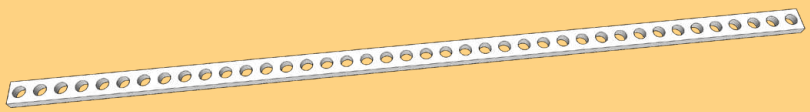
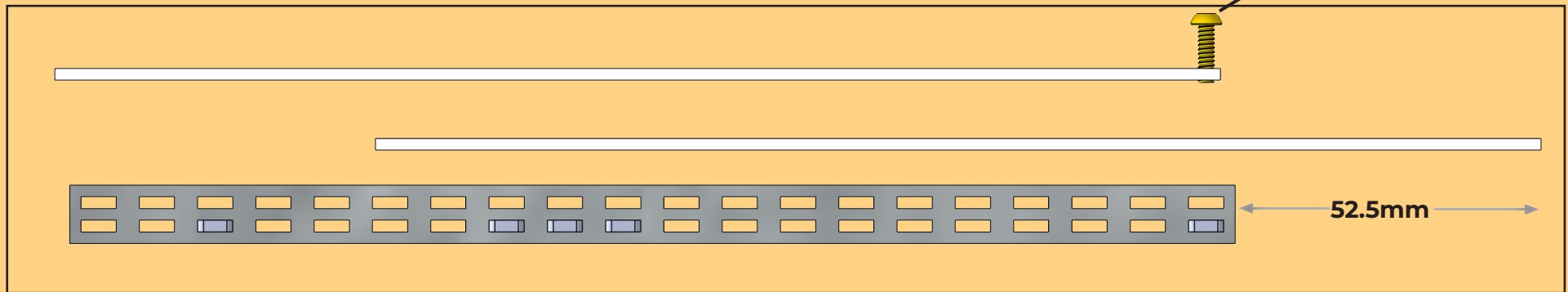
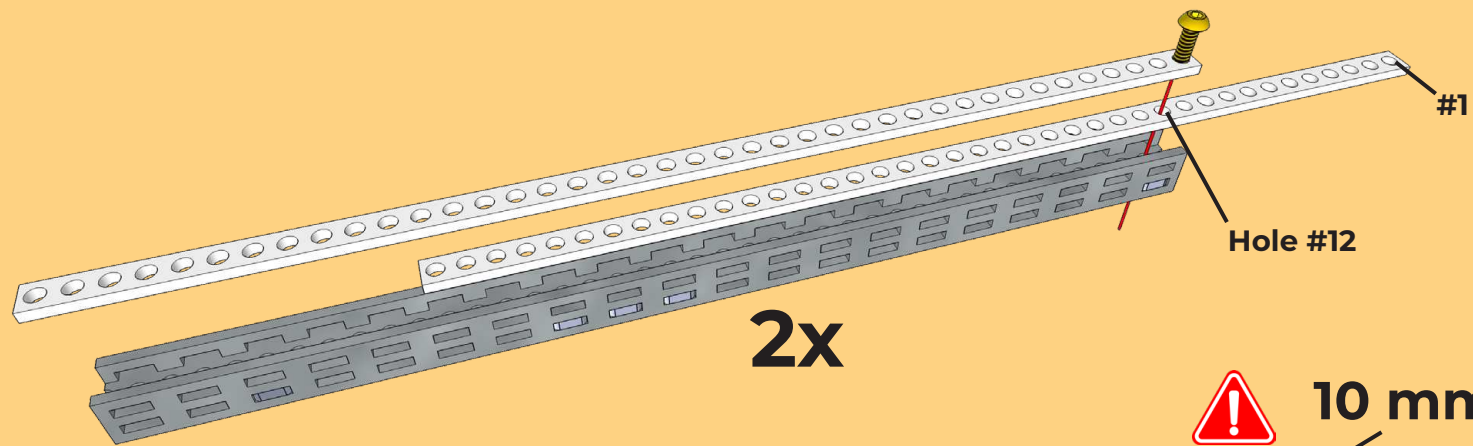
PART 1



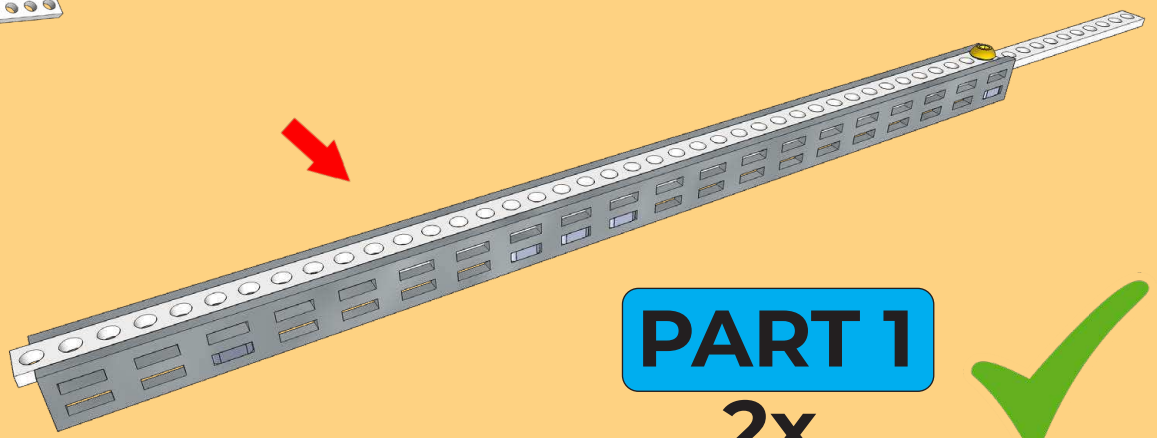
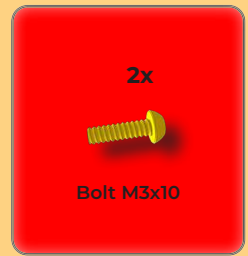
1



2



20cm/40H 4x



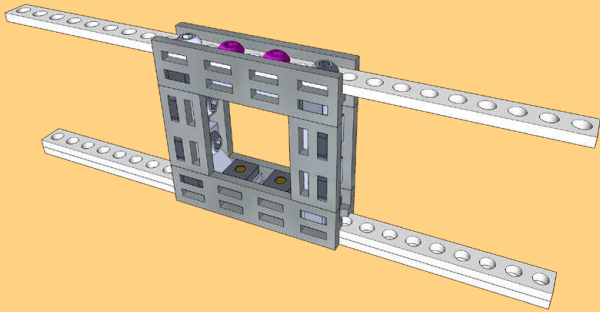
PART 1

2x



PART 2

1



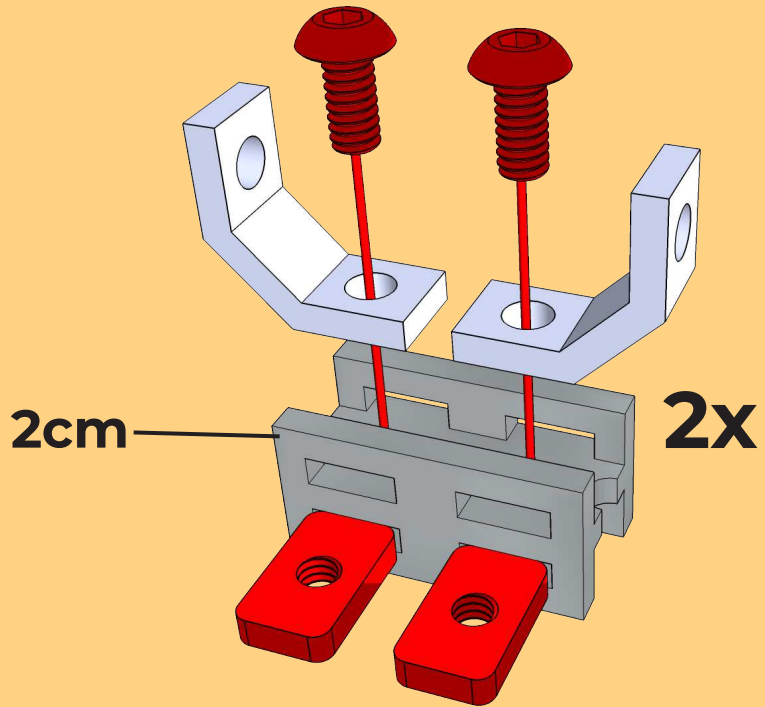
6x Bolt M3x6	2x Bolt M3x8	4x Bolt M3x10
-----------------	-----------------	------------------

8x Nut M3 6x10	4x Nut M3 5.5x5.5	4x C-Bracket
-------------------	----------------------	-----------------

12.5cm/25H	3x
------------	----

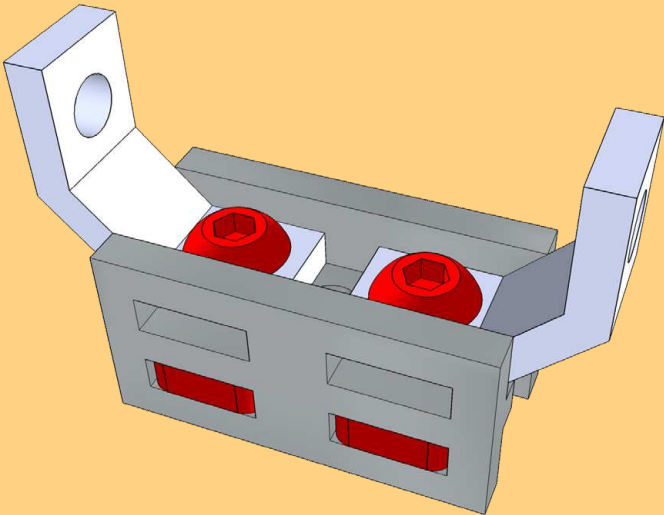


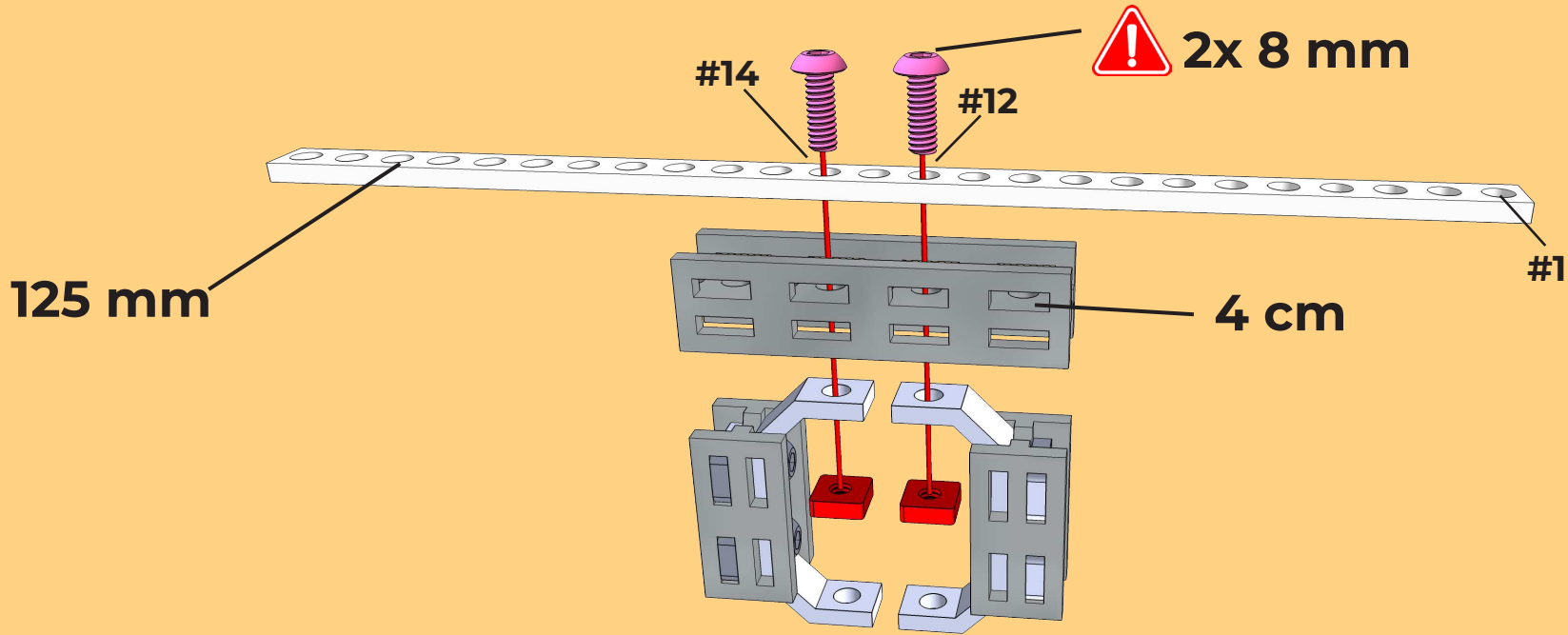
2 cm	2x
4 cm	2x



2 cm	2x
------	----

4x Bolt M3x6
4x Nut M3 6x10
4x C-Bracket





12.5cm/25H	1x
------------	----



4 cm	1x
------	----

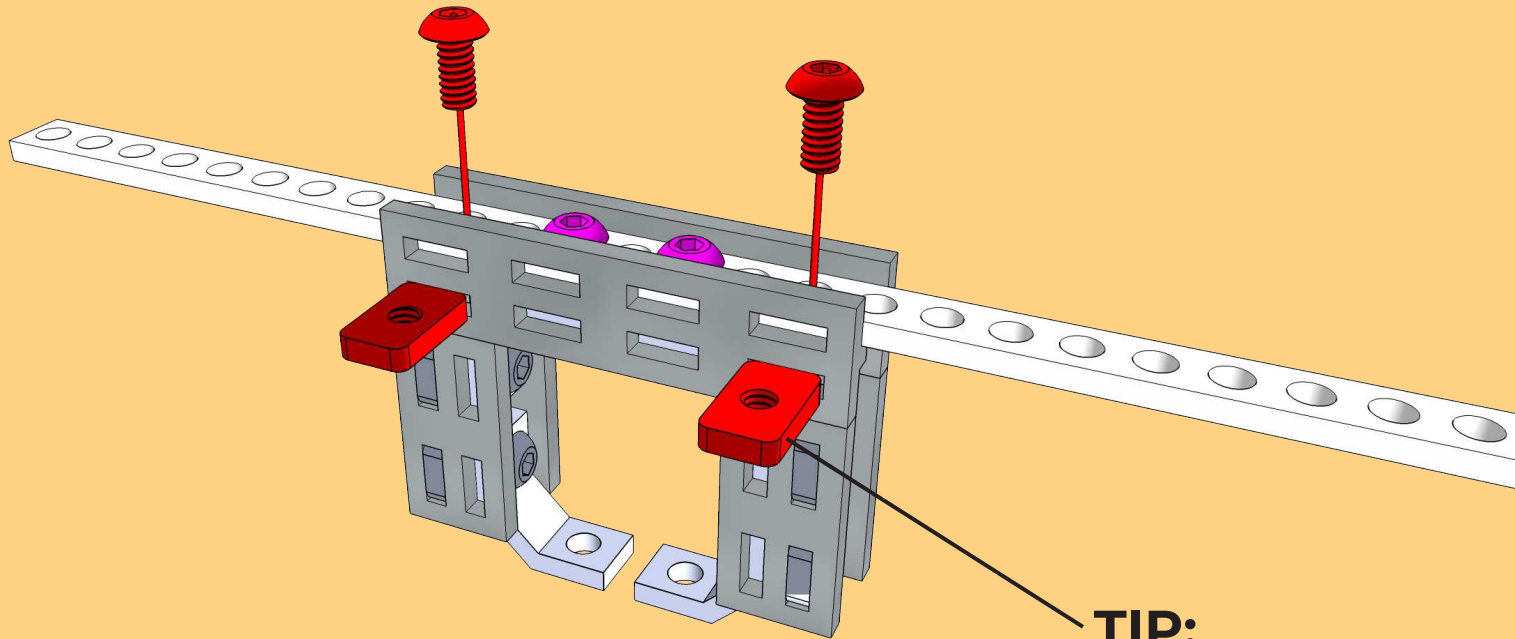
2x

Nut M3 5.5x5.5

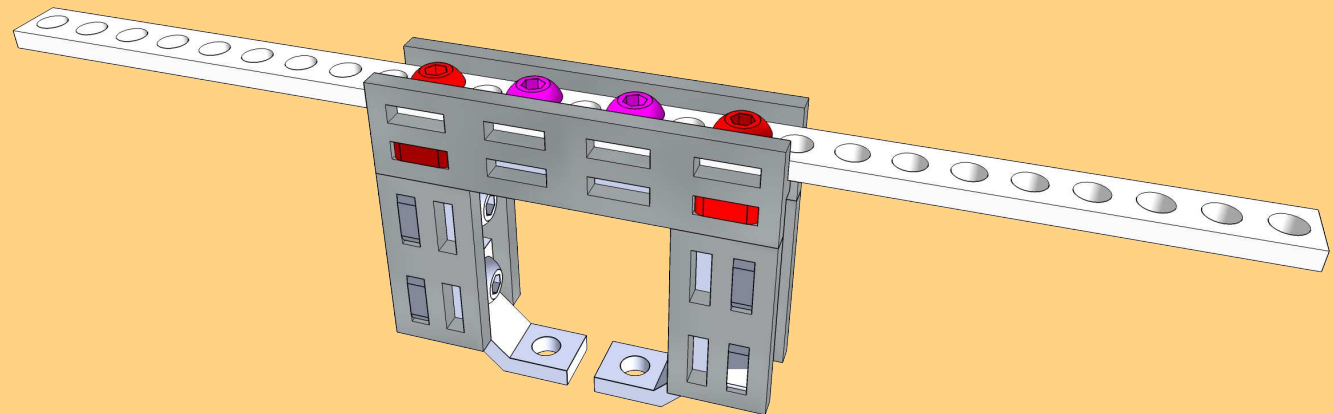
2x

Bolt M3x8

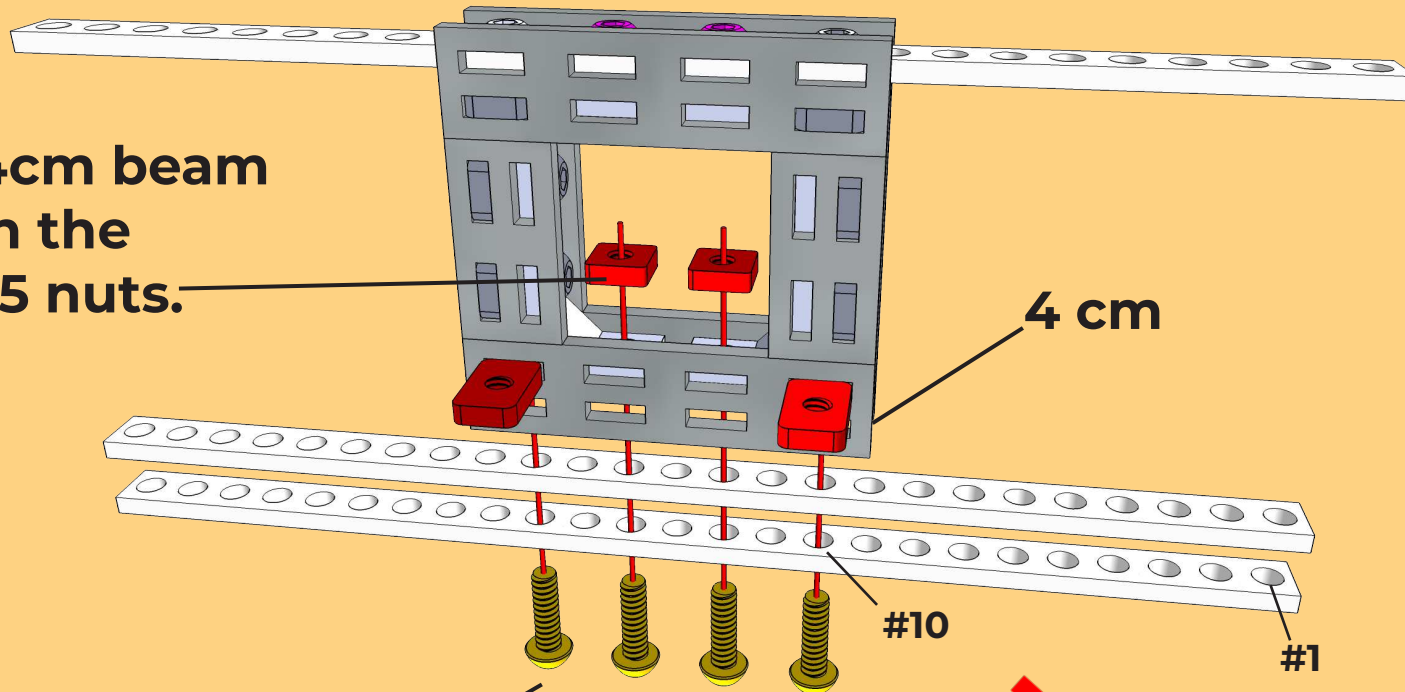
3



TIP:
Put the 2 nuts
into beam first.

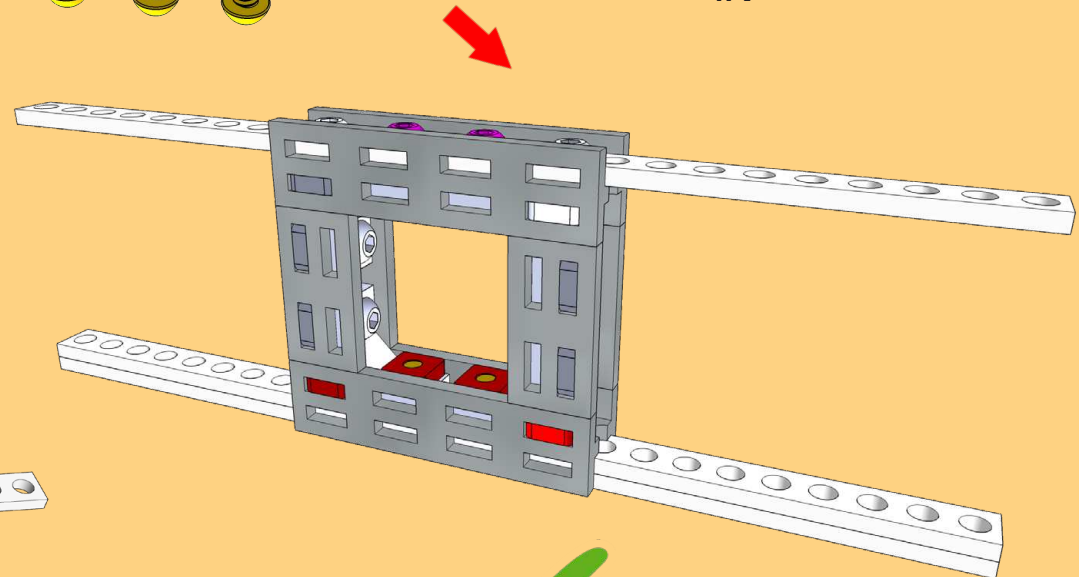
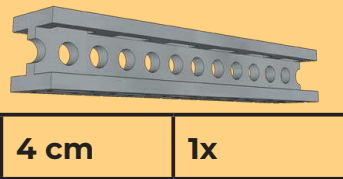


TIP:
Fix the 4cm beam
first with the
2x 5.5x5.5 nuts.



- 2x
Nut M3 5.5x5.5
- 2x
Nut M3 6x10
- 4x
Bolt M3x10

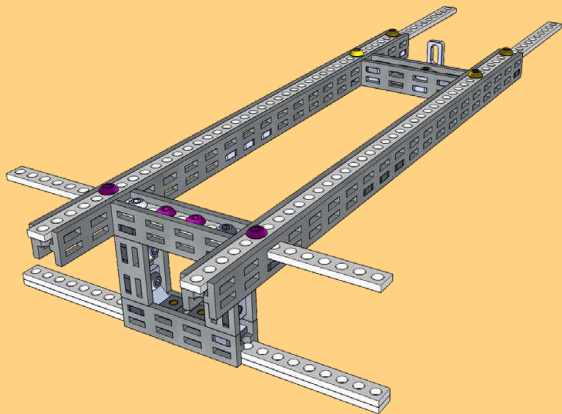
 **4x 10 mm**



PART 2



PART 3

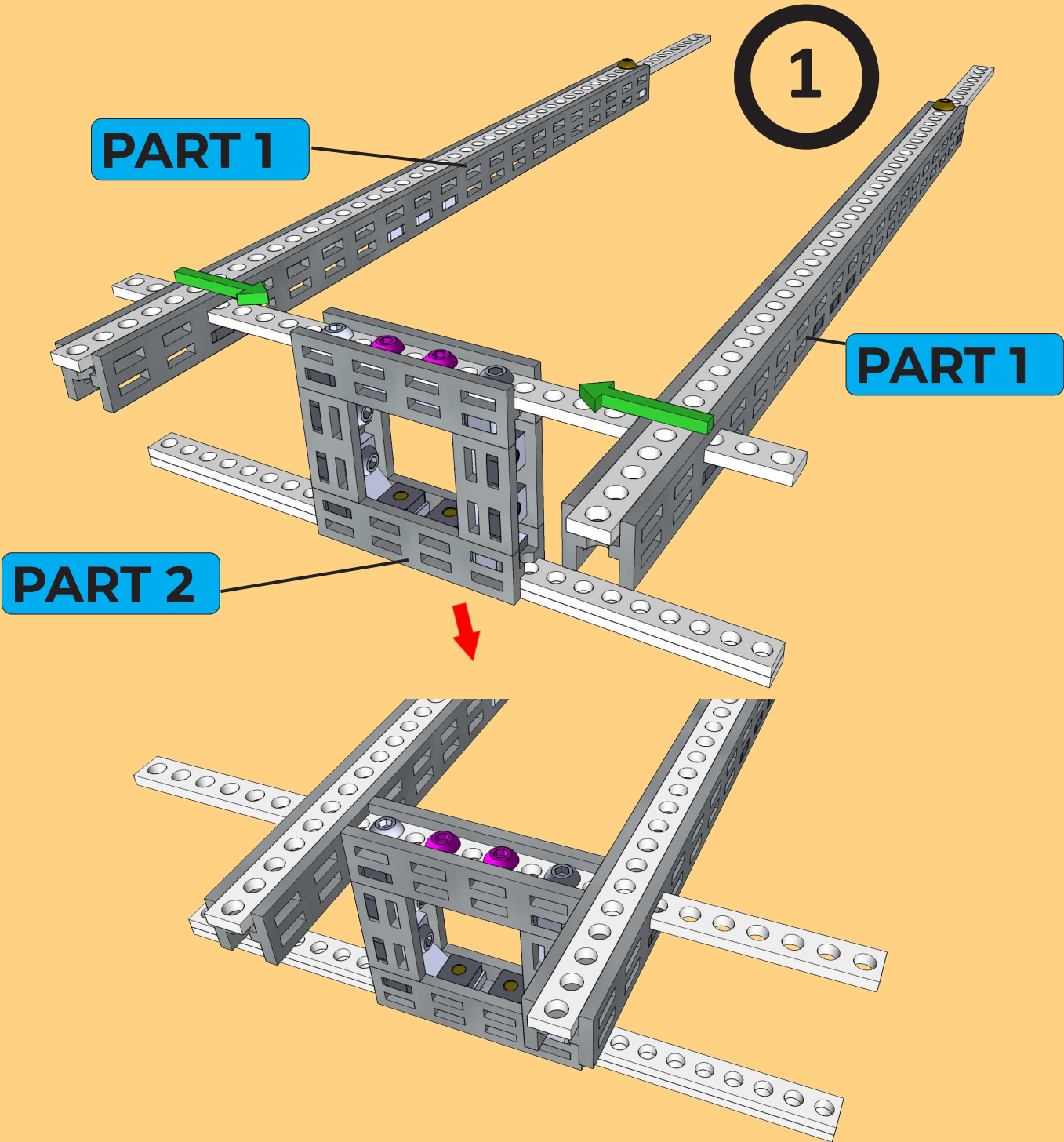


3x	2x	2x	2x
Bolt M3x6	Bolt M3x8	Bolt M3x10	Nut M3 5.5x5.5

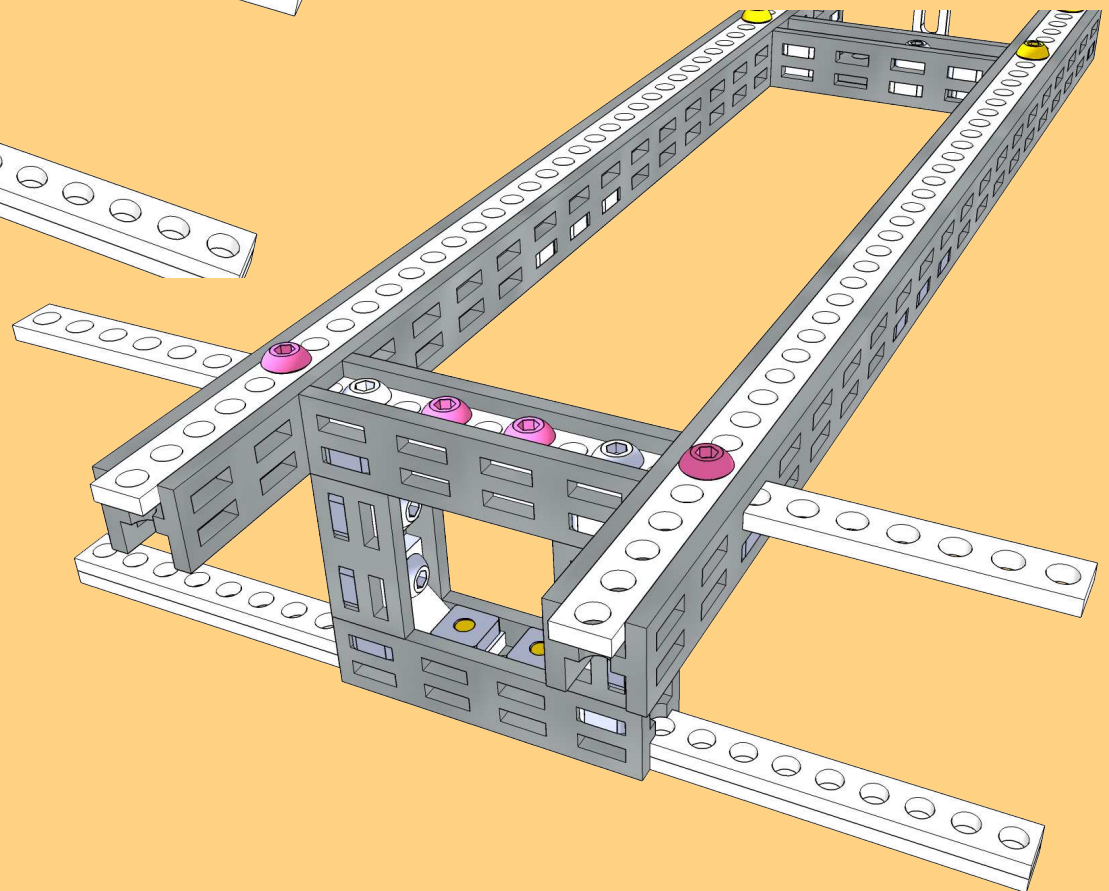
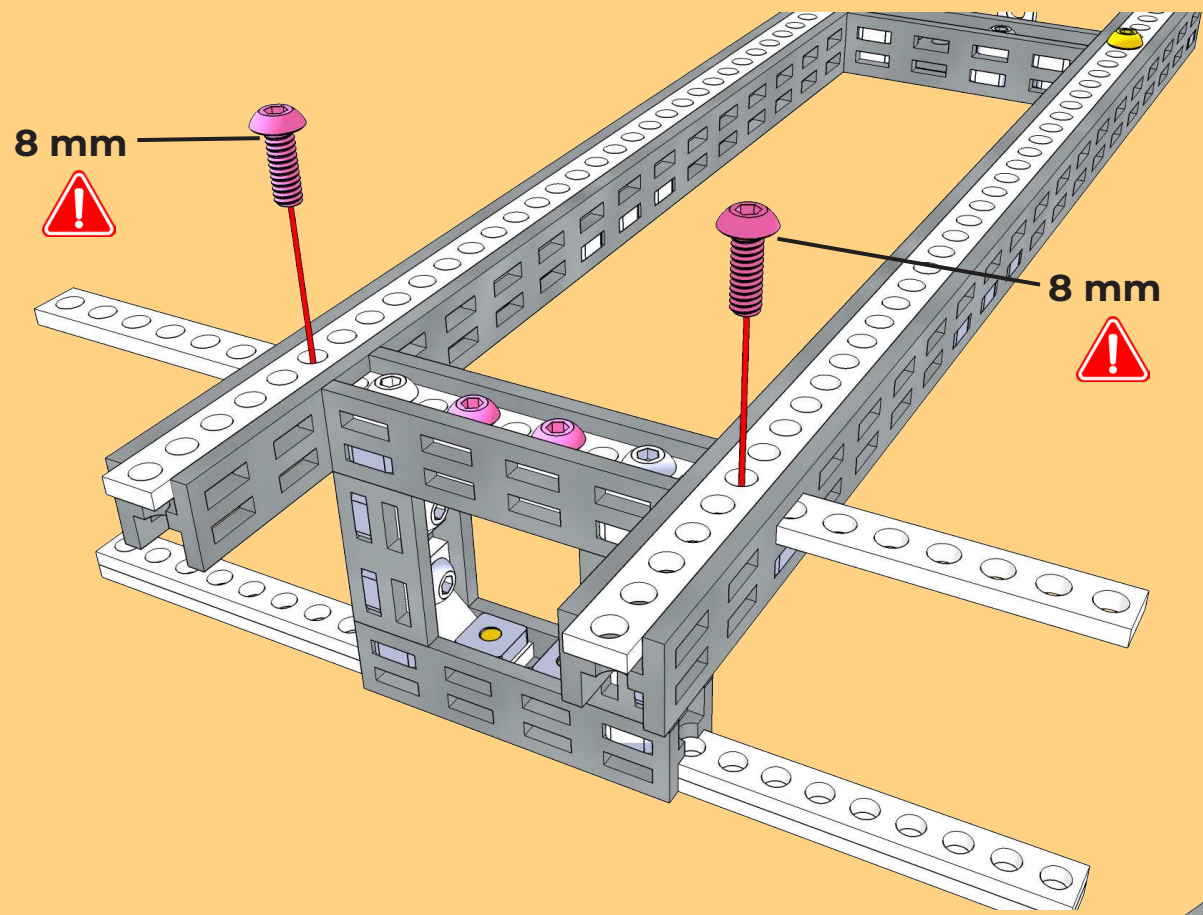
3x	1x	2x
Nut M3 6x10	2 hole 90 deg	2-hole Simple

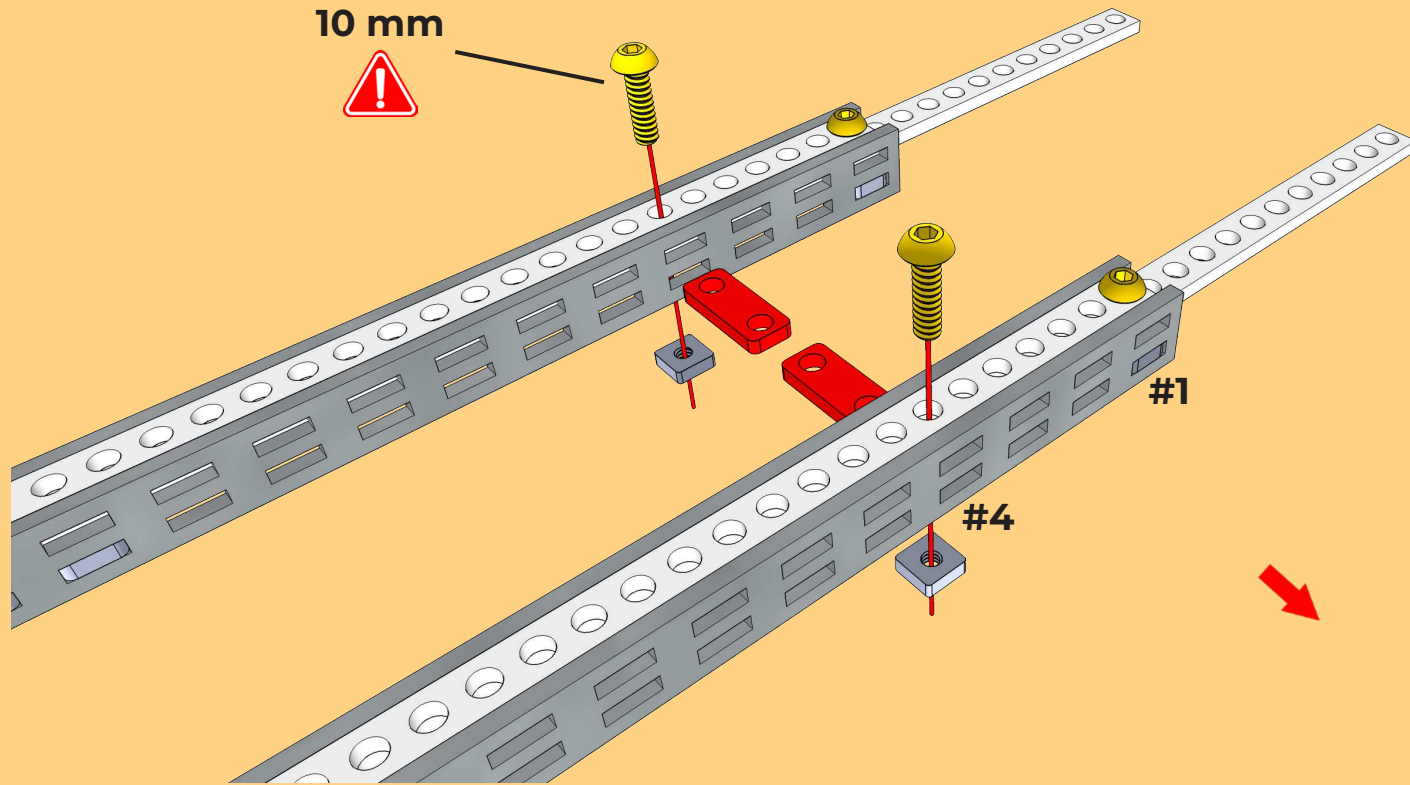


4 cm	1x
------	----



2



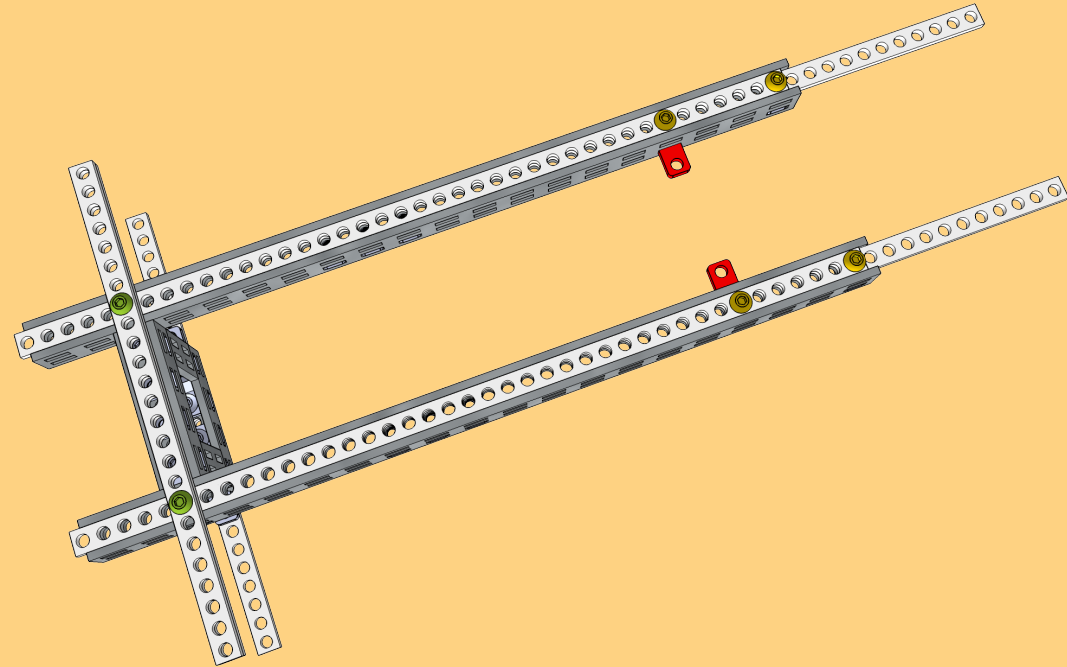


- 2x

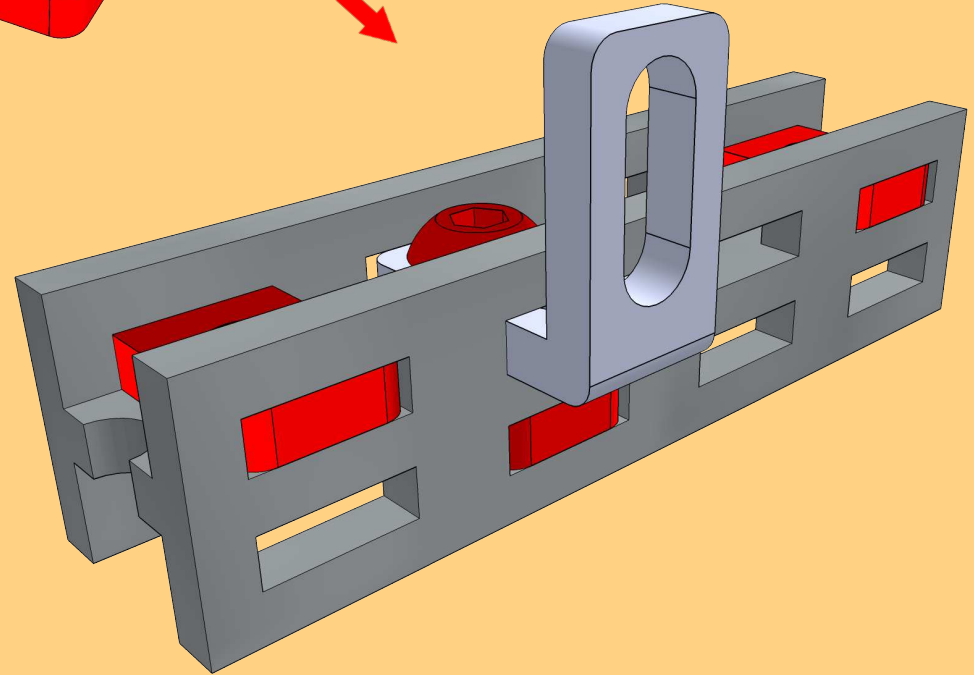
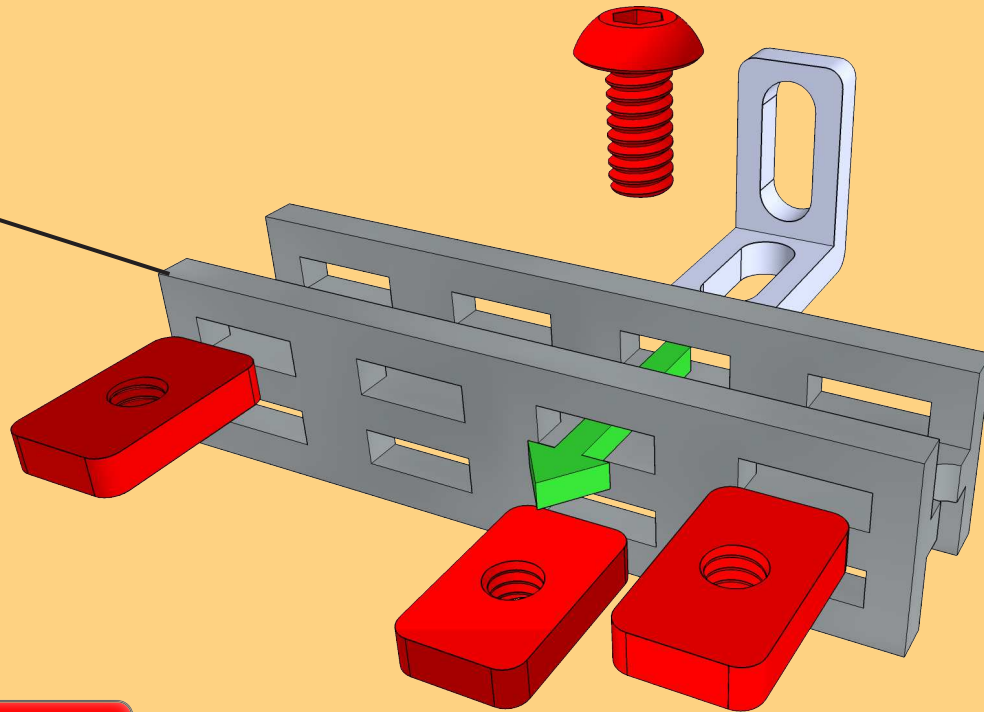
Nut M3 5.5x5.5
- 2x

2-hole Simple
- 2x

Bolt M3x10



4 cm




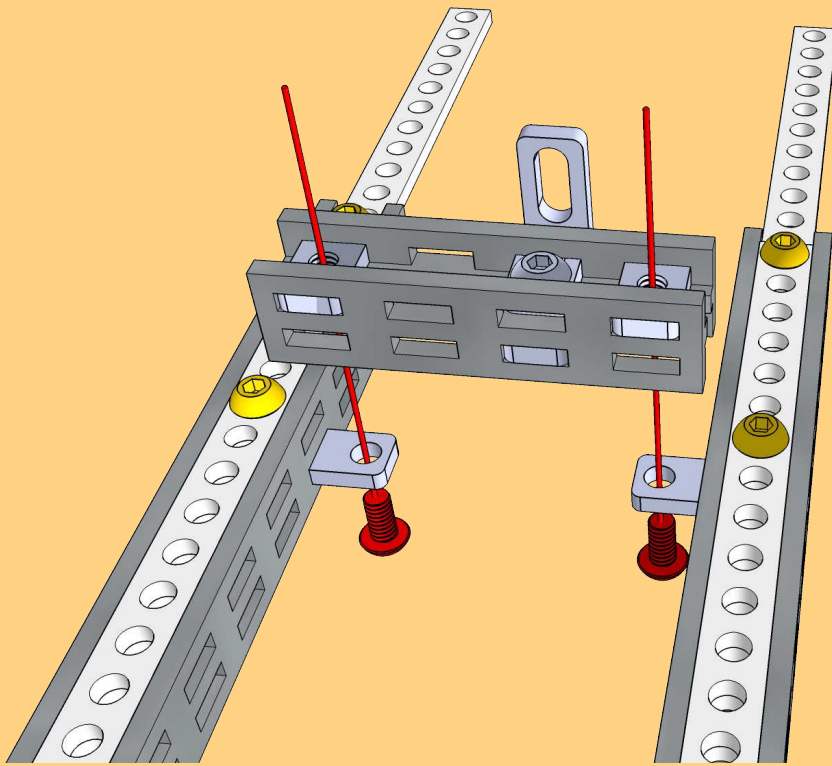
- 1x

2 hole 90 deg
- 1x

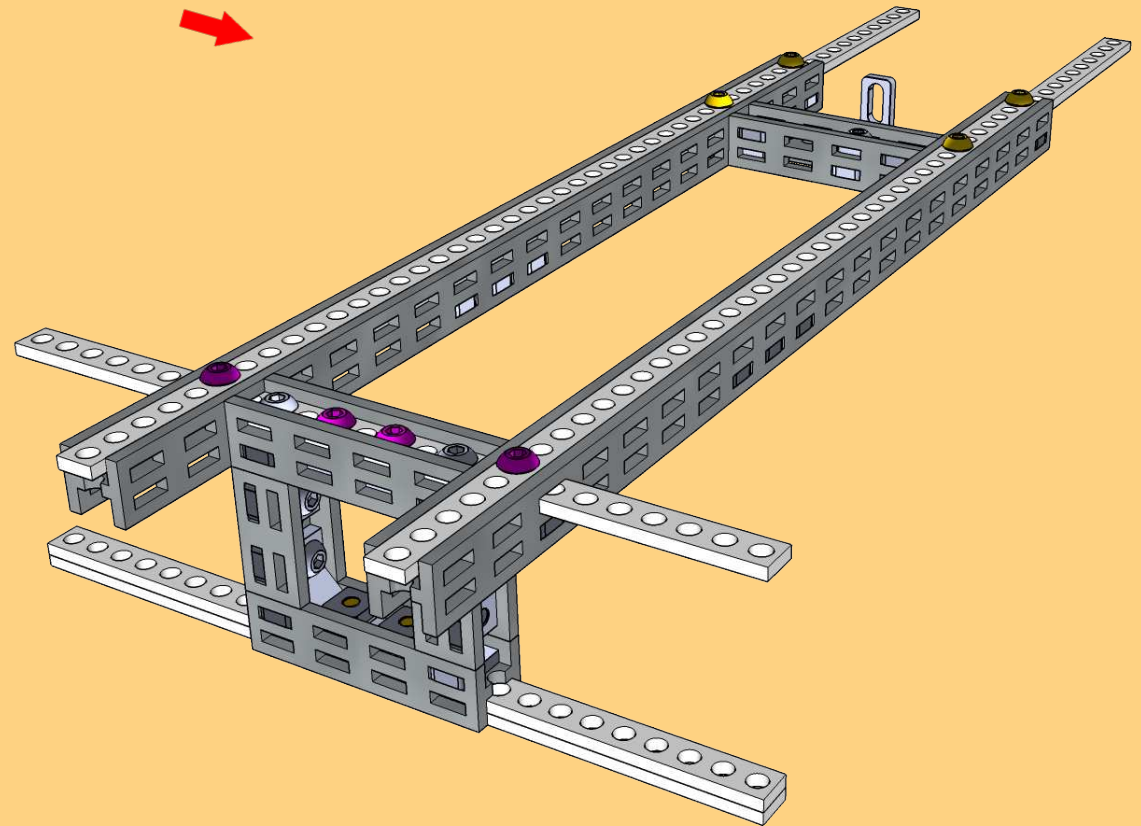
Bolt M3x6
- 3x

Nut M3 6x10

	4 cm	1x
---	------	----



PART 3

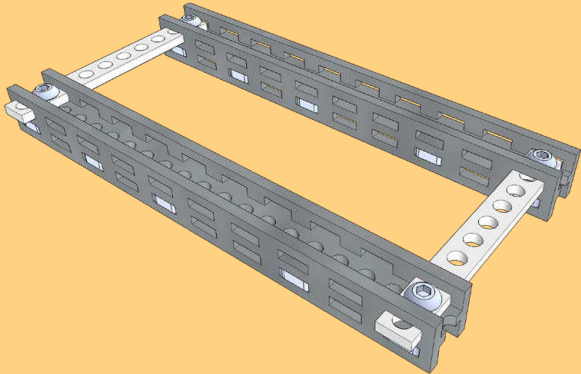


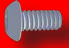
2x

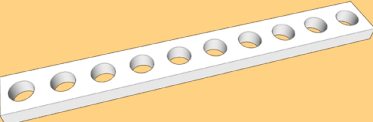
Bolt M3x6


PART 4


1



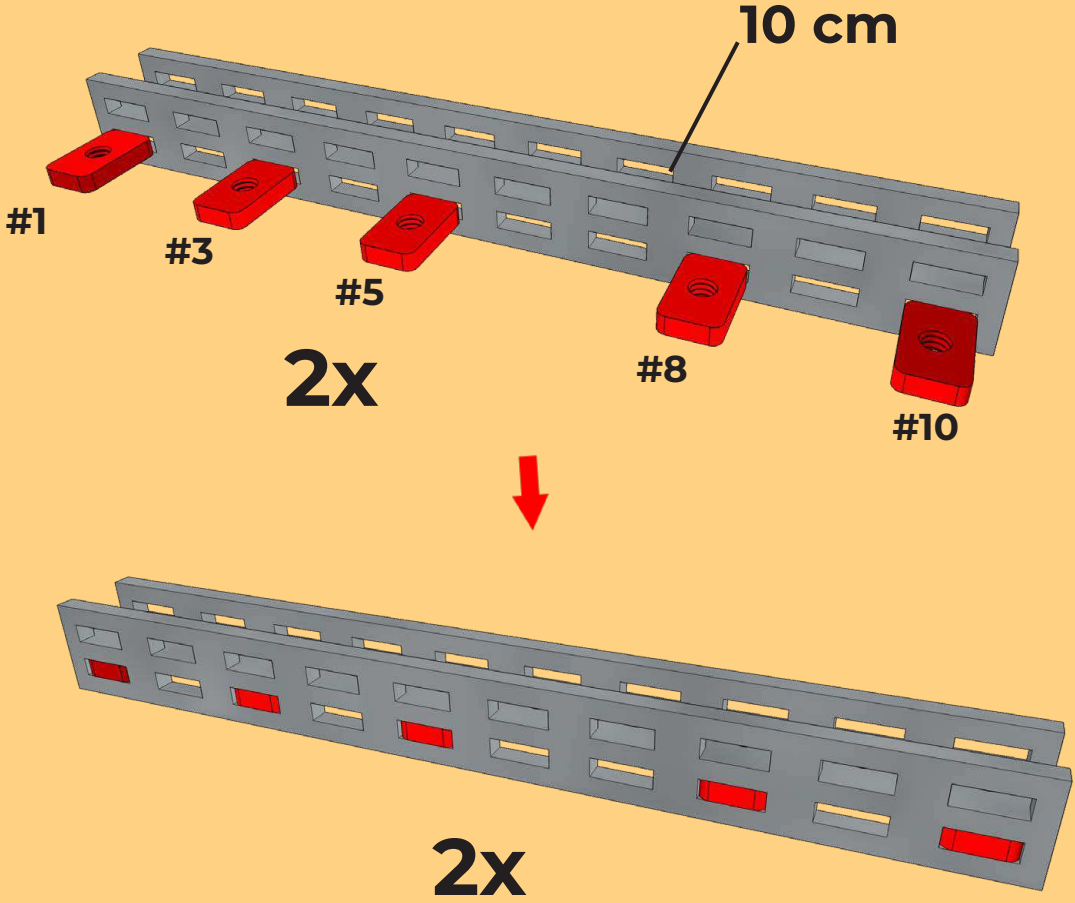
4x  Bolt M3x6	10x  Nut M3 6x10
--	---

	
5cm/10H	2x

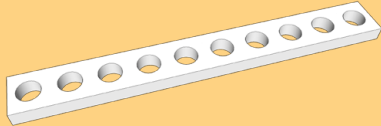
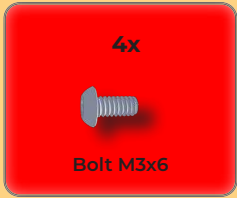
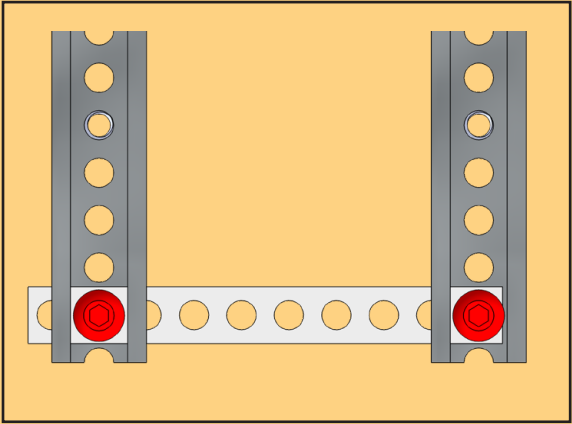
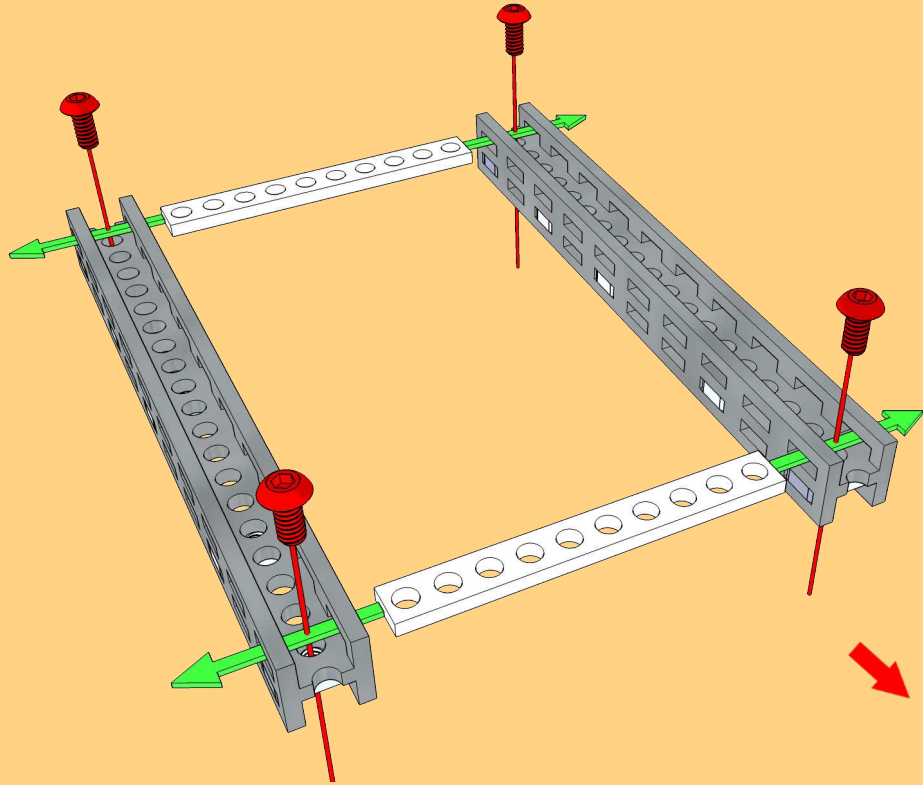
	
10 cm	2x

	
10 cm	2 x

10x  Nut M3 6x10

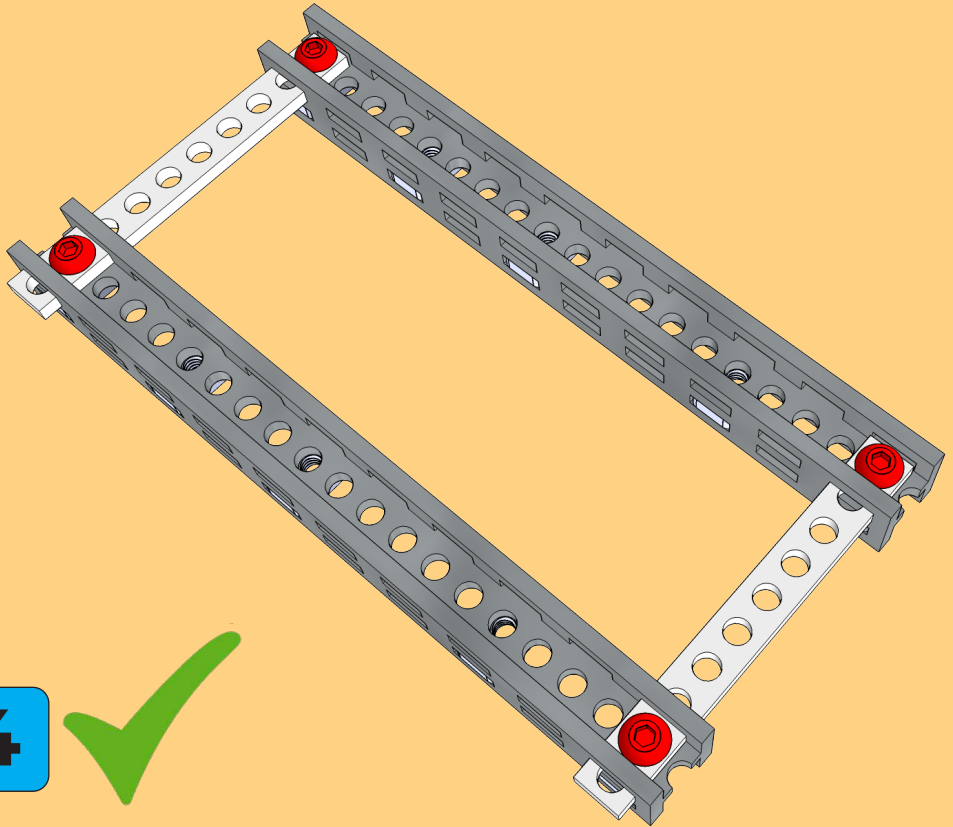


2

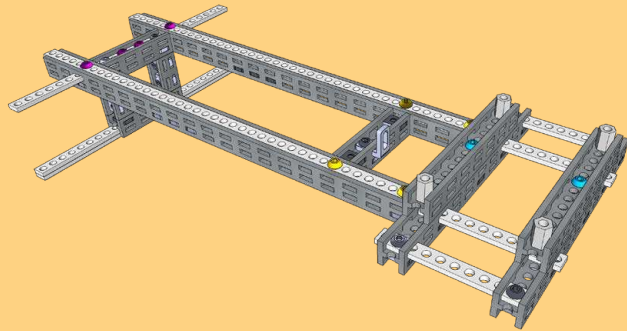


5cm/10H	2x
---------	----

PART 4



PART 5

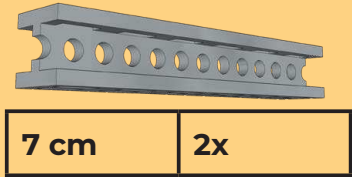


8x Bolt M3x6

4x Threaded spacer M3x8mm

2x Bolt M3x14

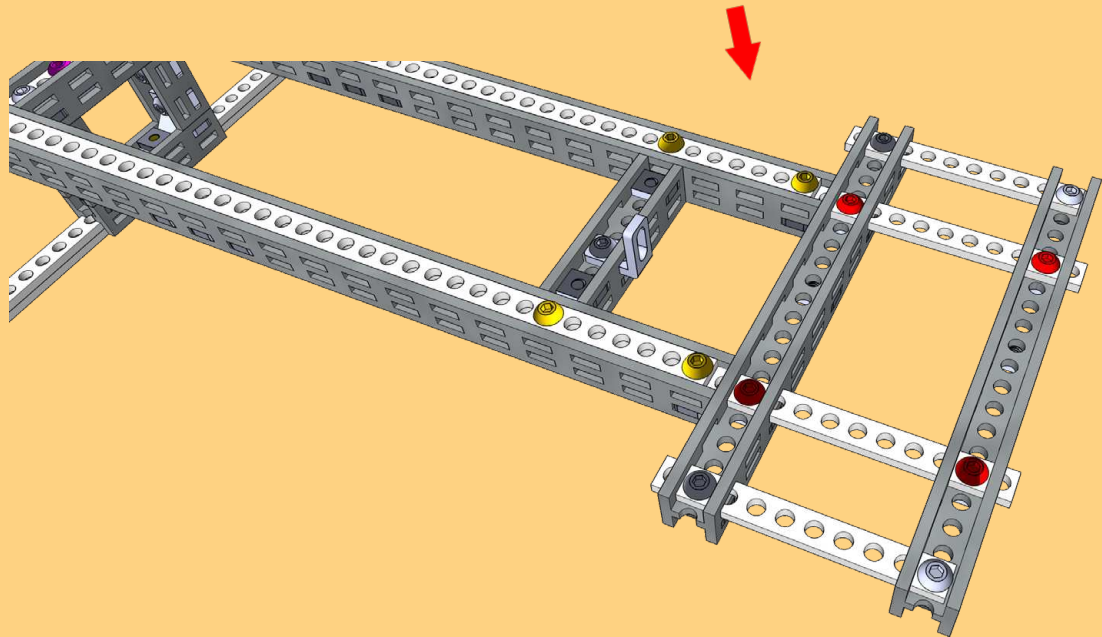
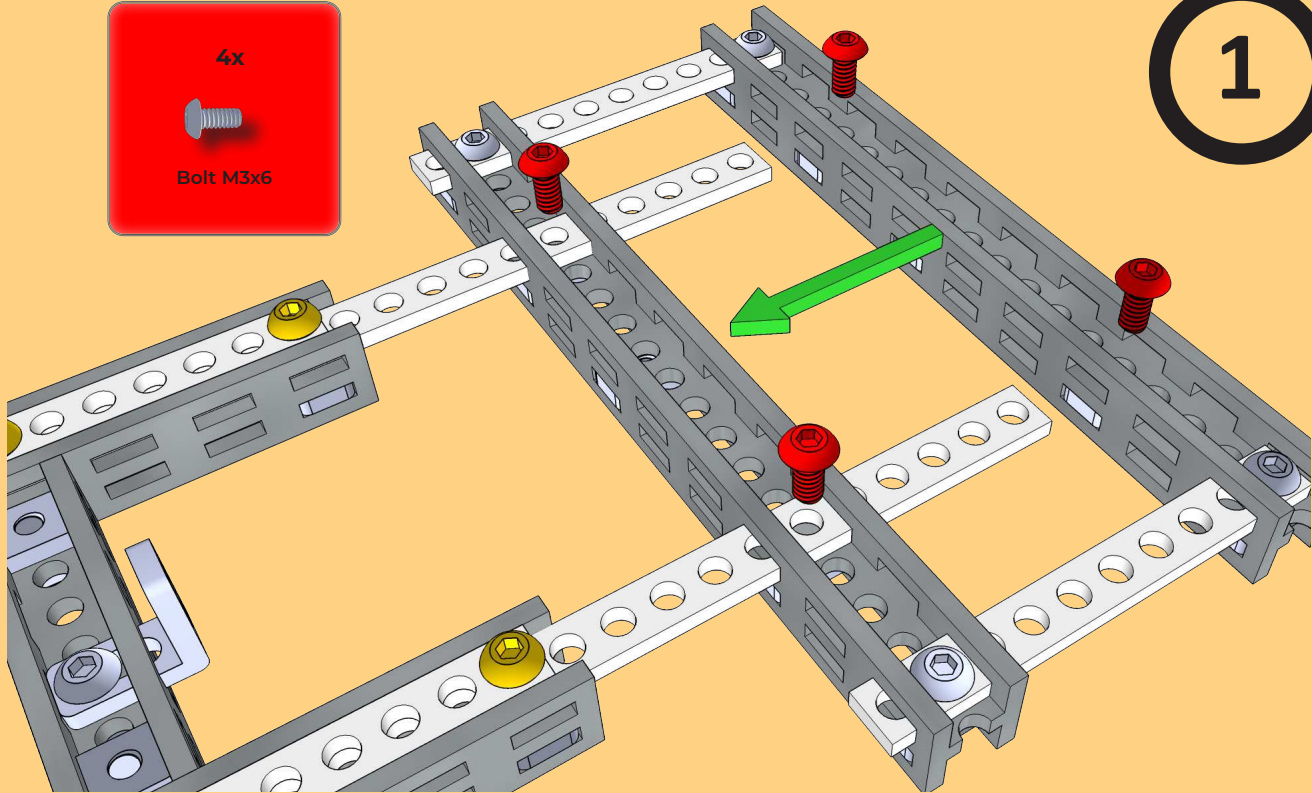
A red rectangular box containing three items: a grey bolt, a grey threaded spacer, and a blue bolt. Each item is accompanied by its quantity and name.



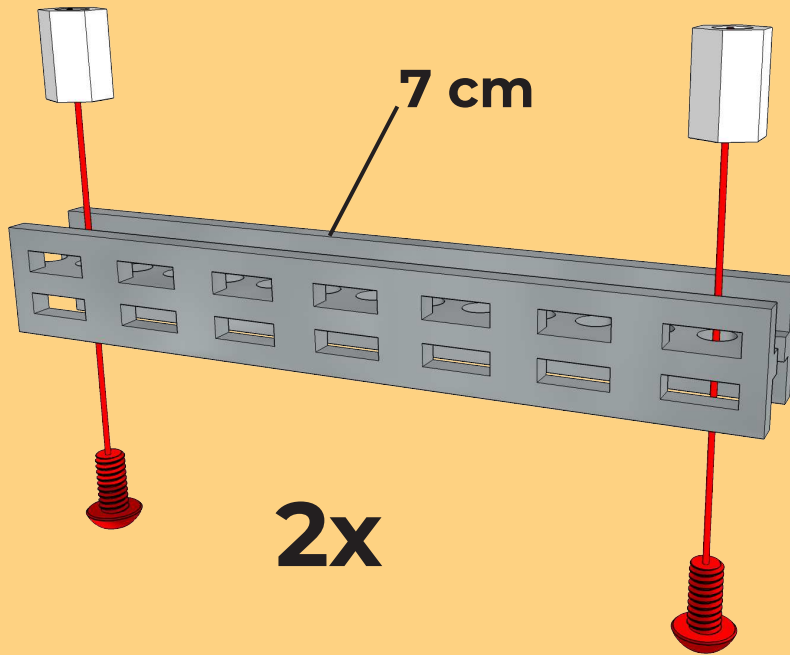
4x Bolt M3x6

A red rectangular box containing one item: a grey bolt. It is accompanied by its quantity and name.

1



2



4x




Threaded spacer
M3x8mm

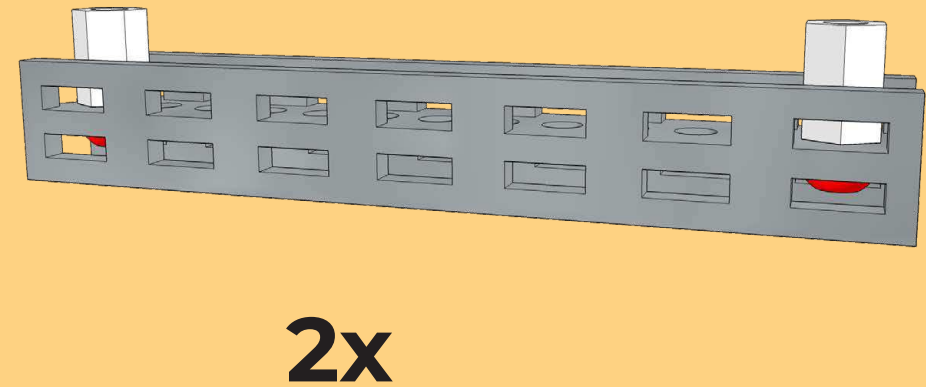
4x



Bolt M3x6

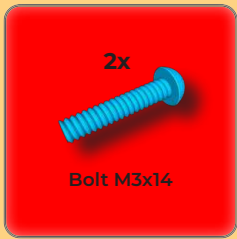
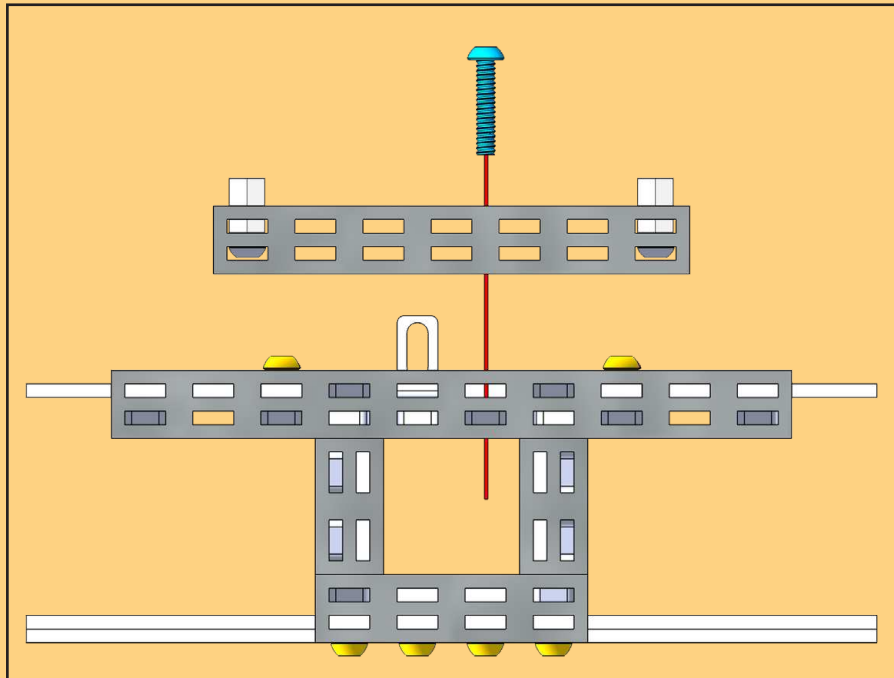
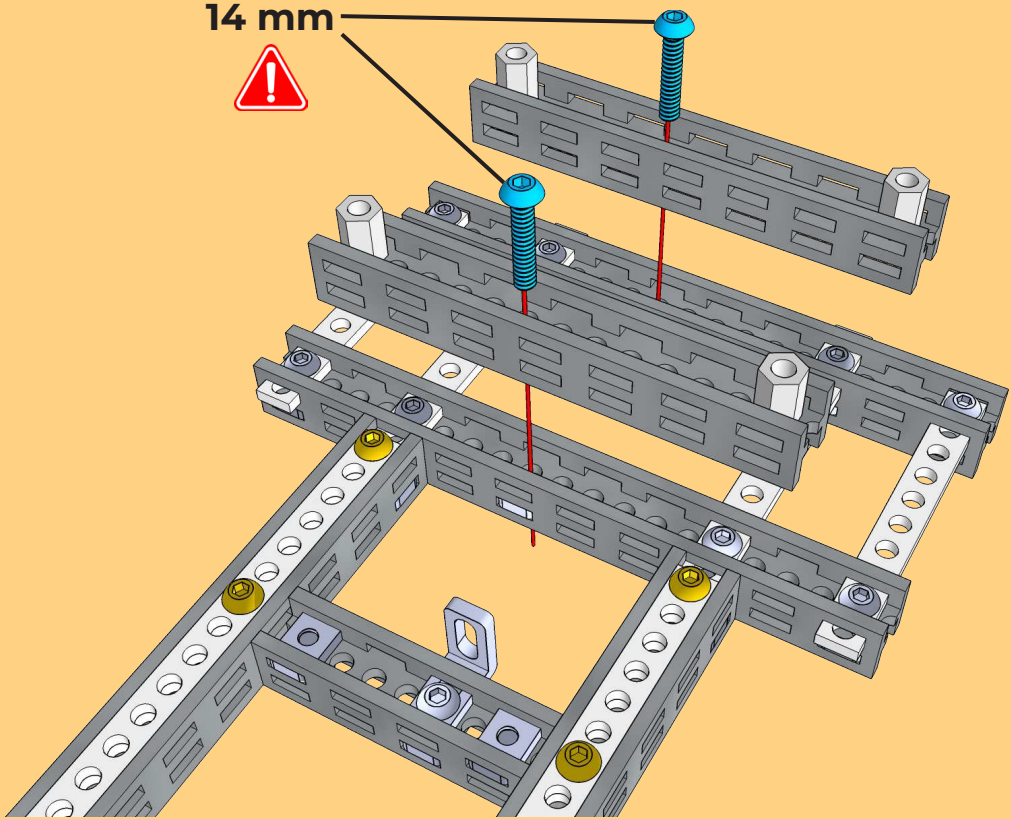


7 cm	2x
------	----

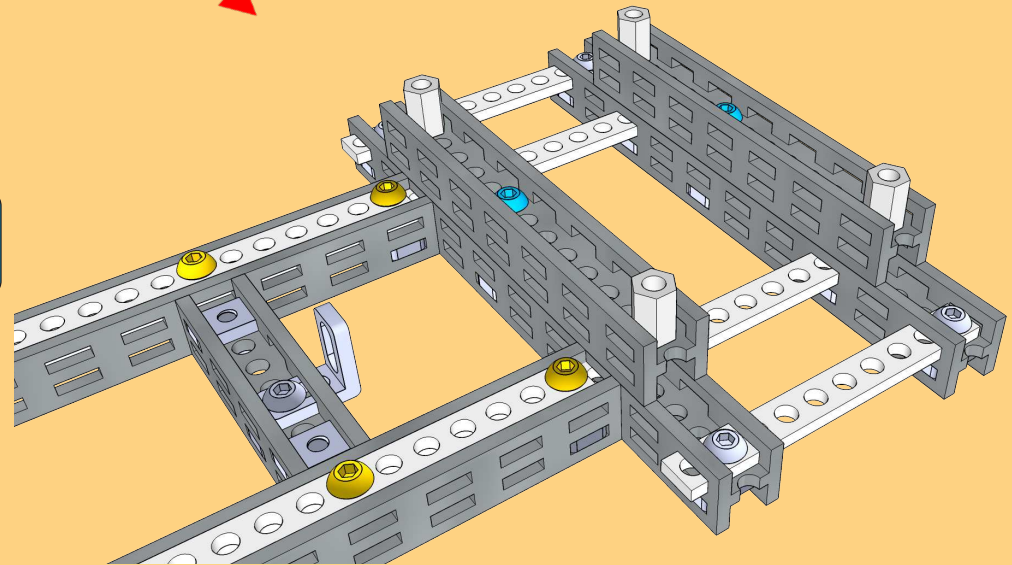


3

14 mm

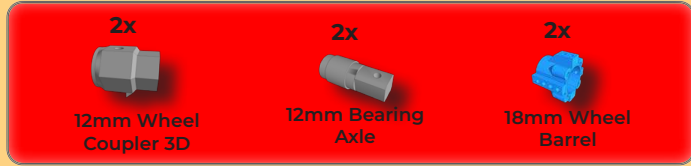
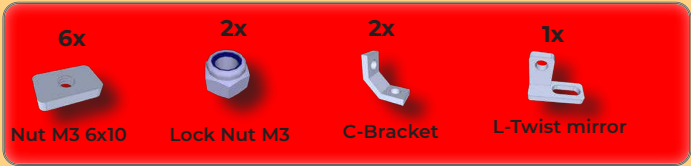
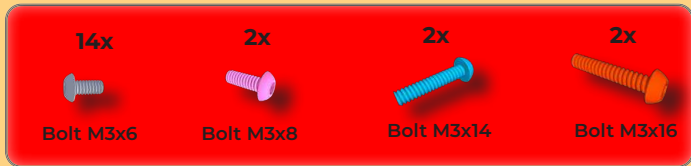
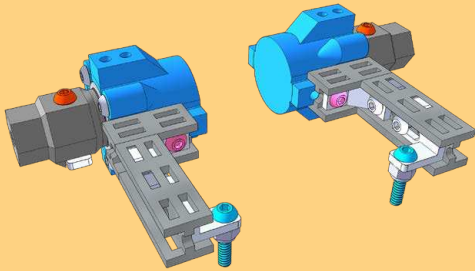


PART 5

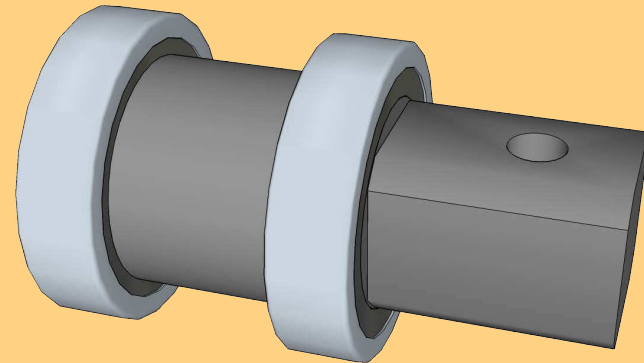
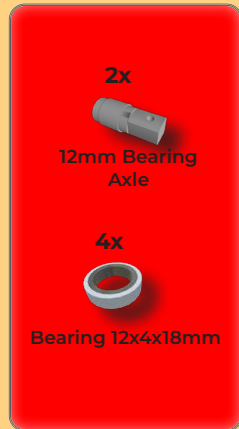
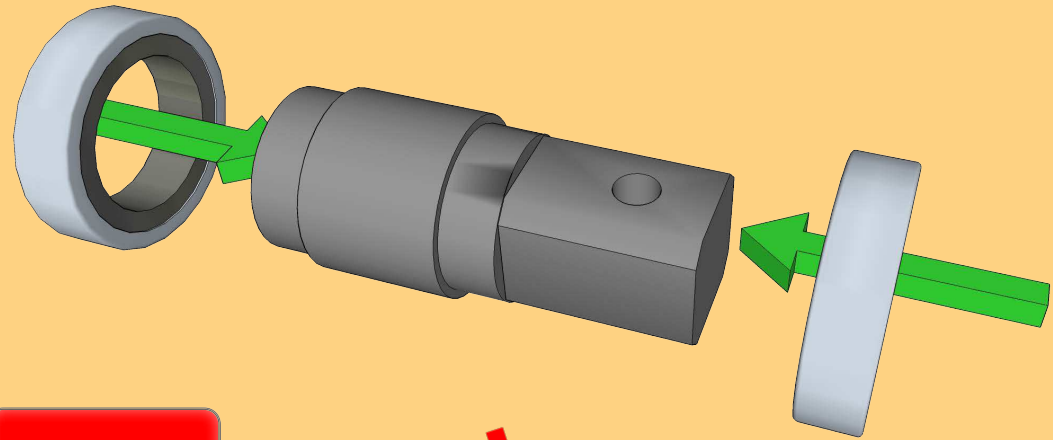


PART 6

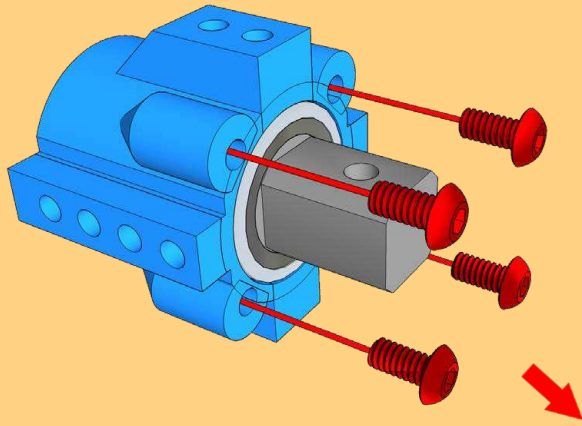
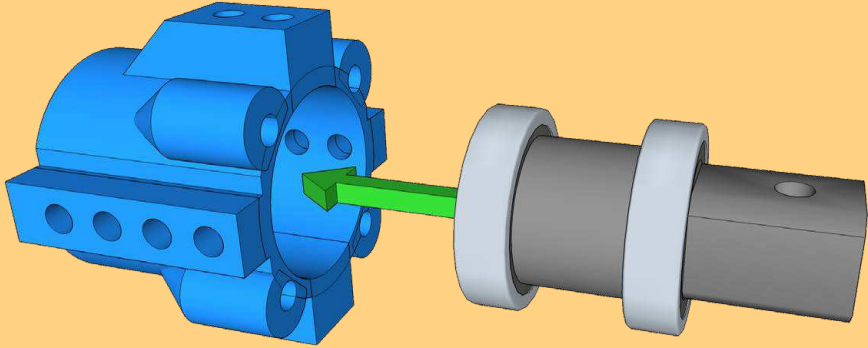
1



2 cm	2x
3 cm	2x

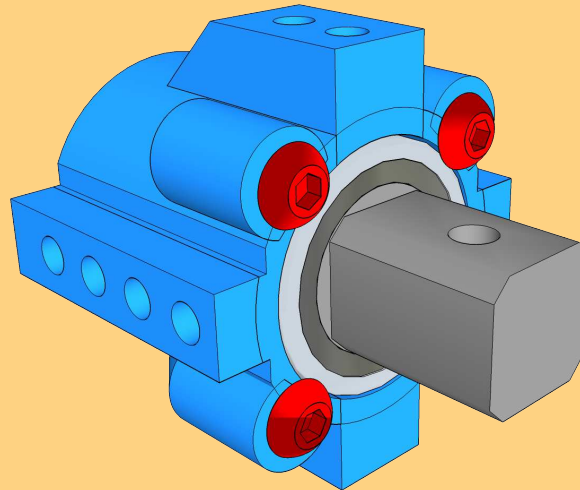


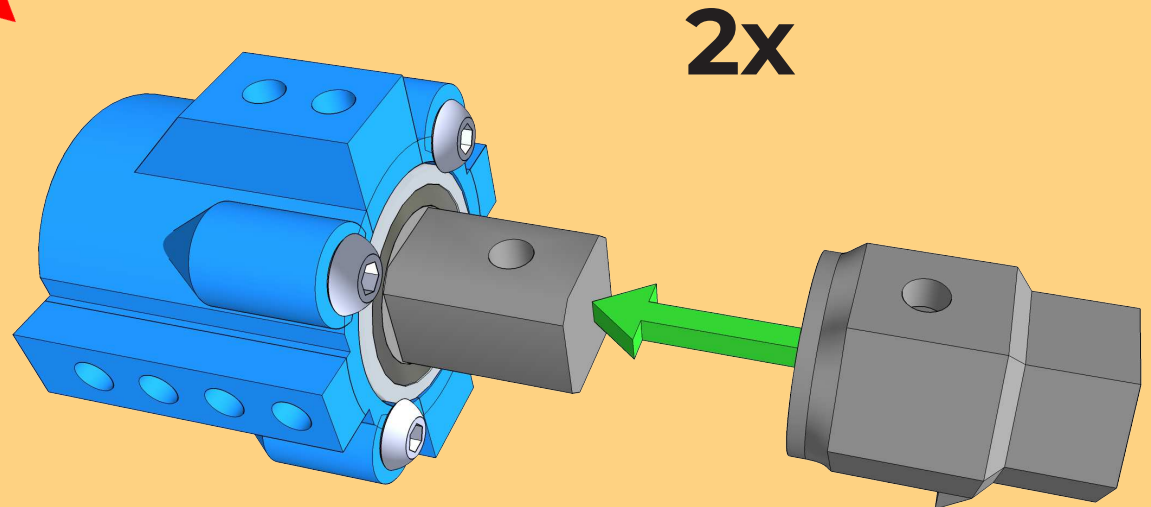
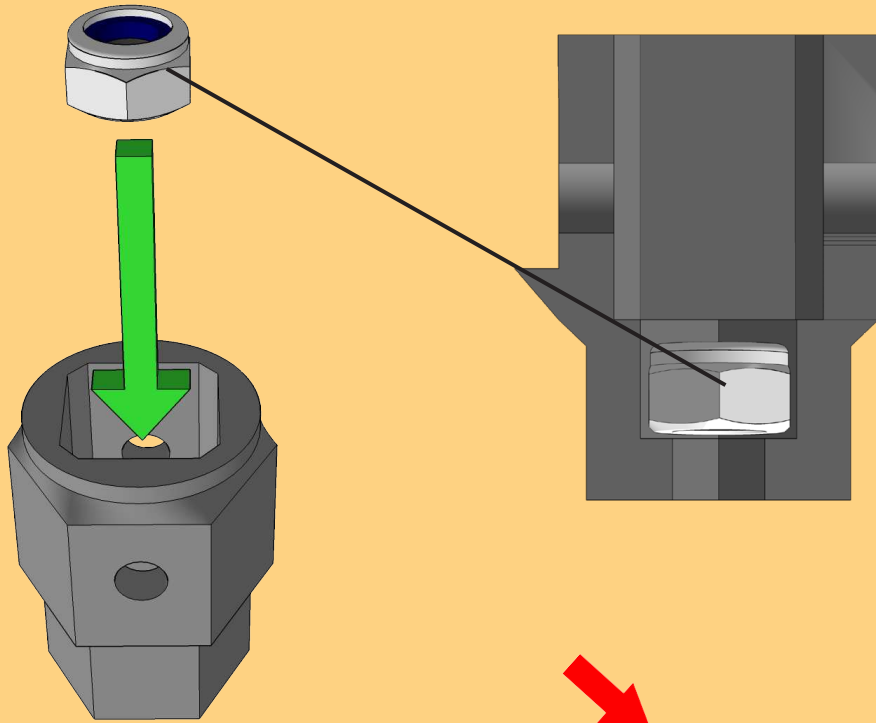
2x

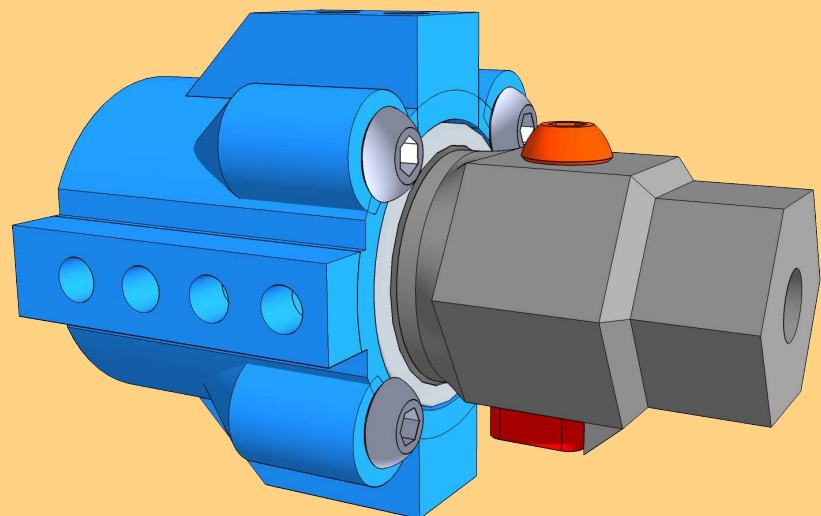
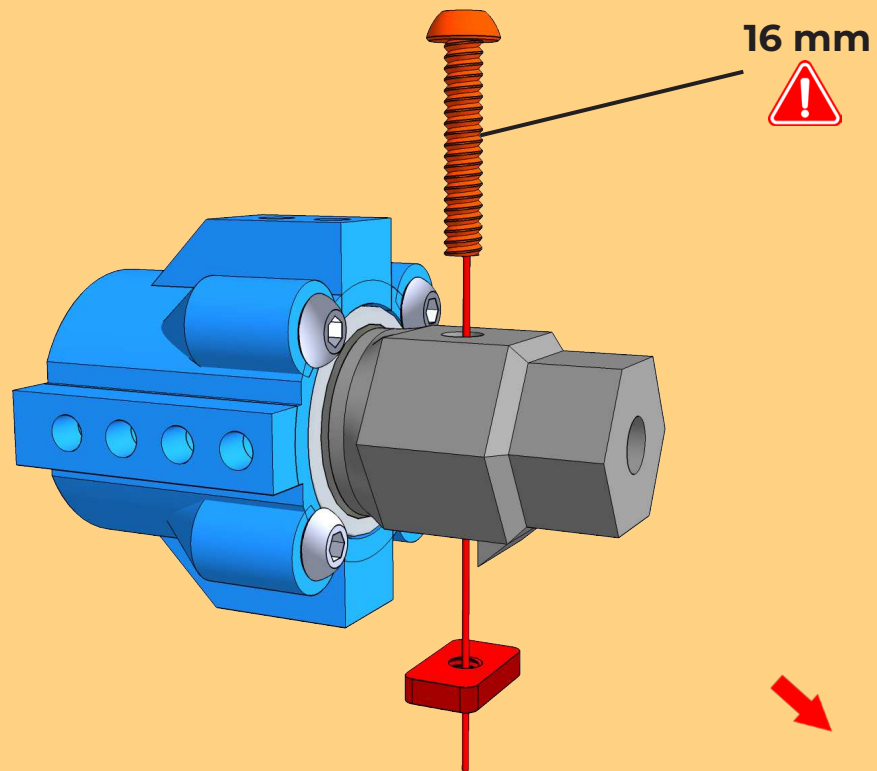


- 8x
Bolt M3x6
- 2x
18mm Wheel Barrel

2x





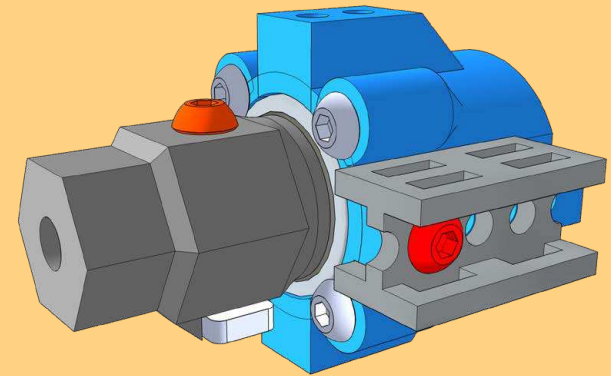
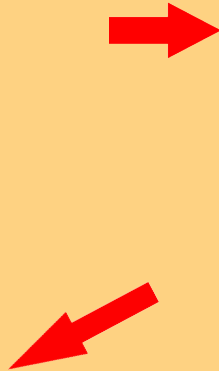
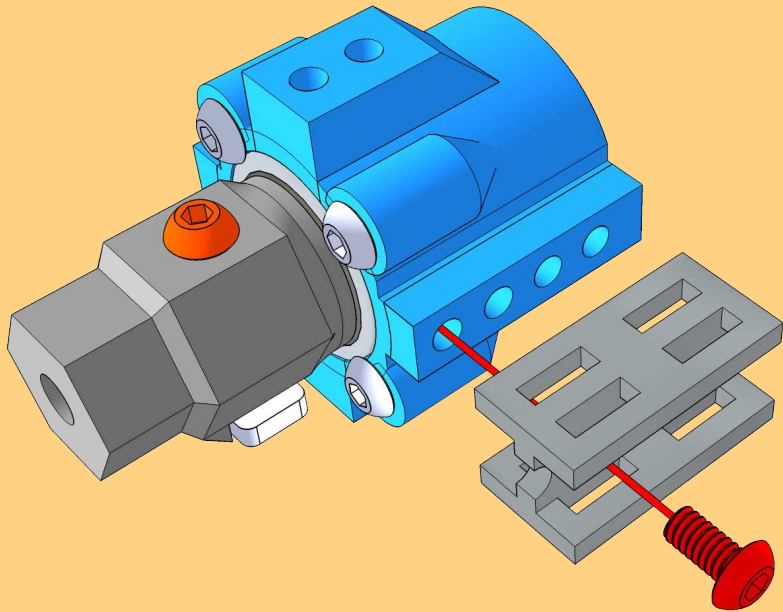


2x

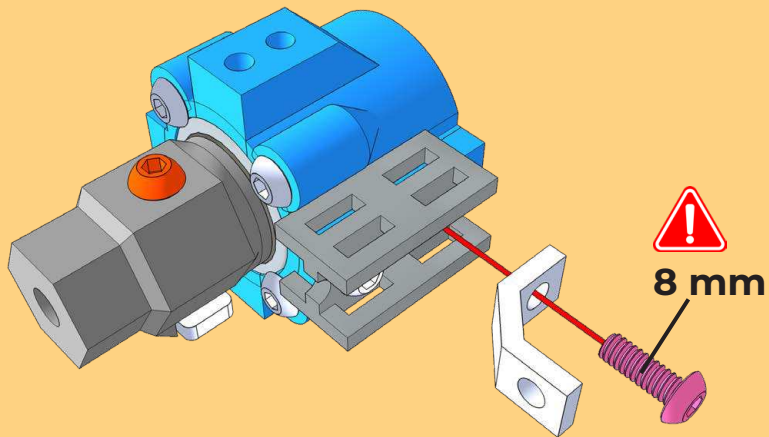
2x Bolt M3x16

2x Nut M3 6x10

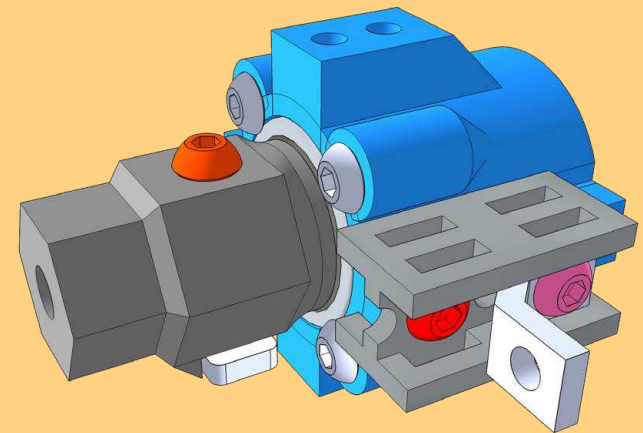
A red rectangular box containing two items: an orange bolt and a red nut. The bolt is labeled '2x Bolt M3x16' and the nut is labeled '2x Nut M3 6x10'.



2x



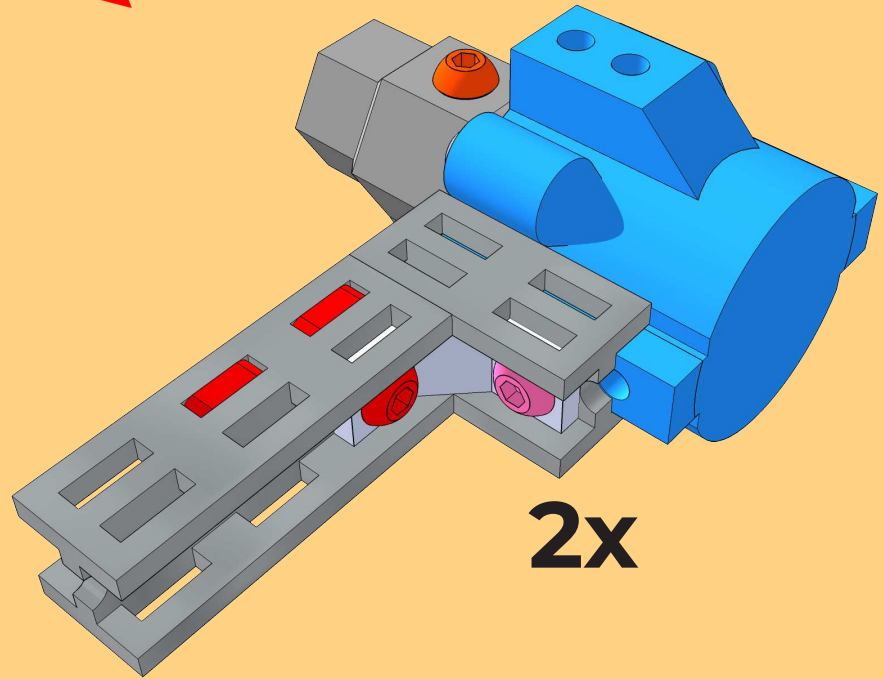
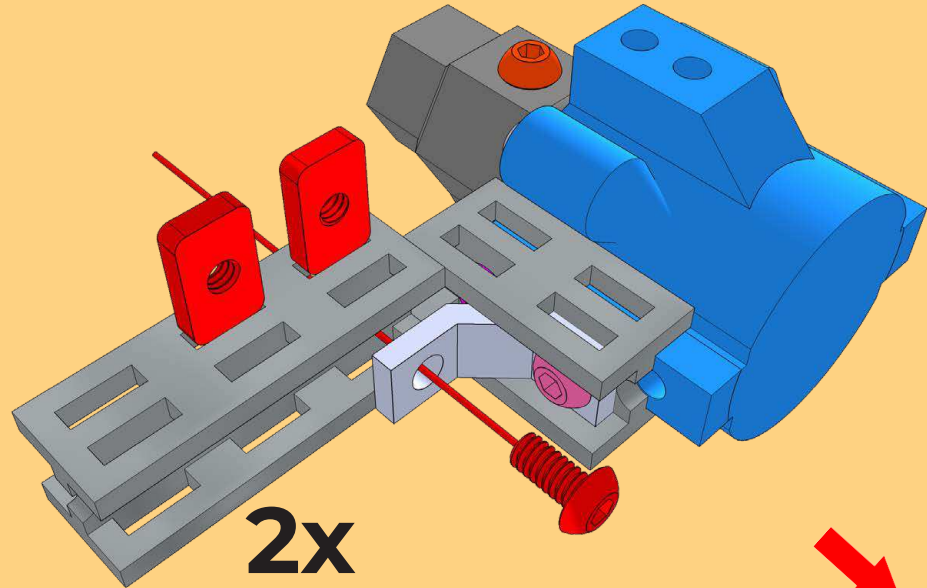
8 mm



2x

2x	2x	2x
C-Bracket	Bolt M3x6	Bolt M3x8

2 cm	2x



2x
Bolt M3x6

4x
Nut M3 6x10

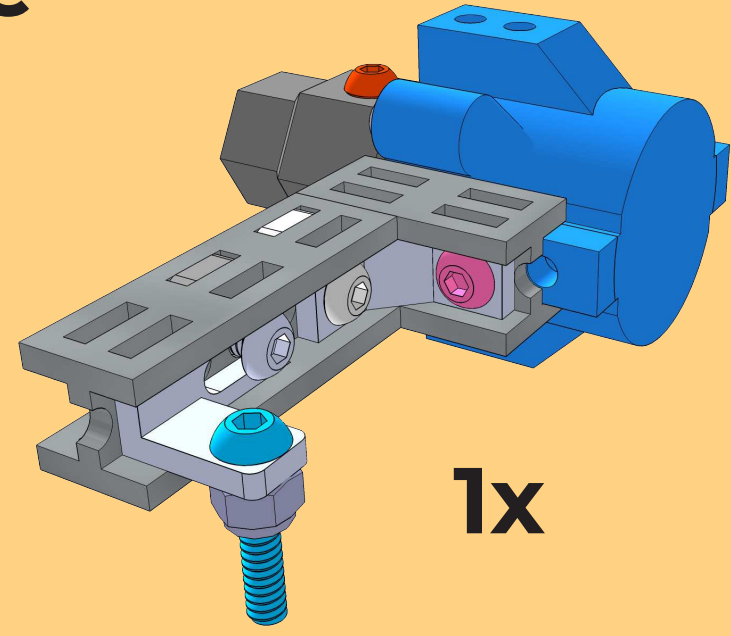
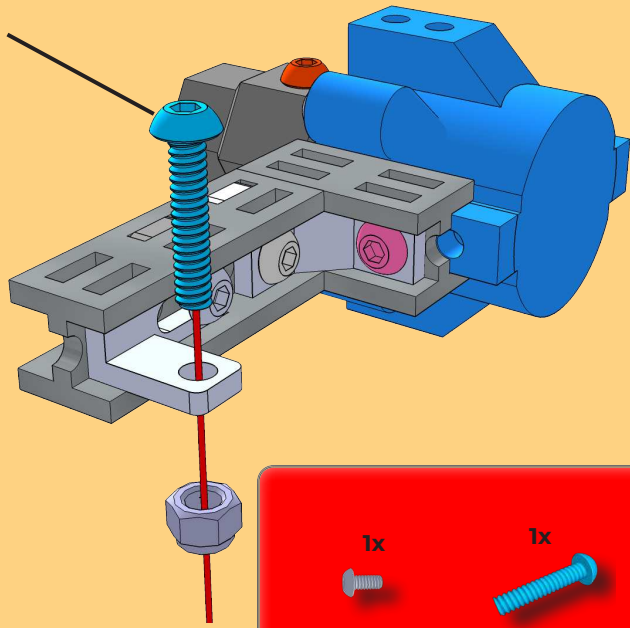
3 cm	2x
------	----

7


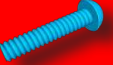
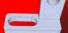
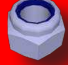


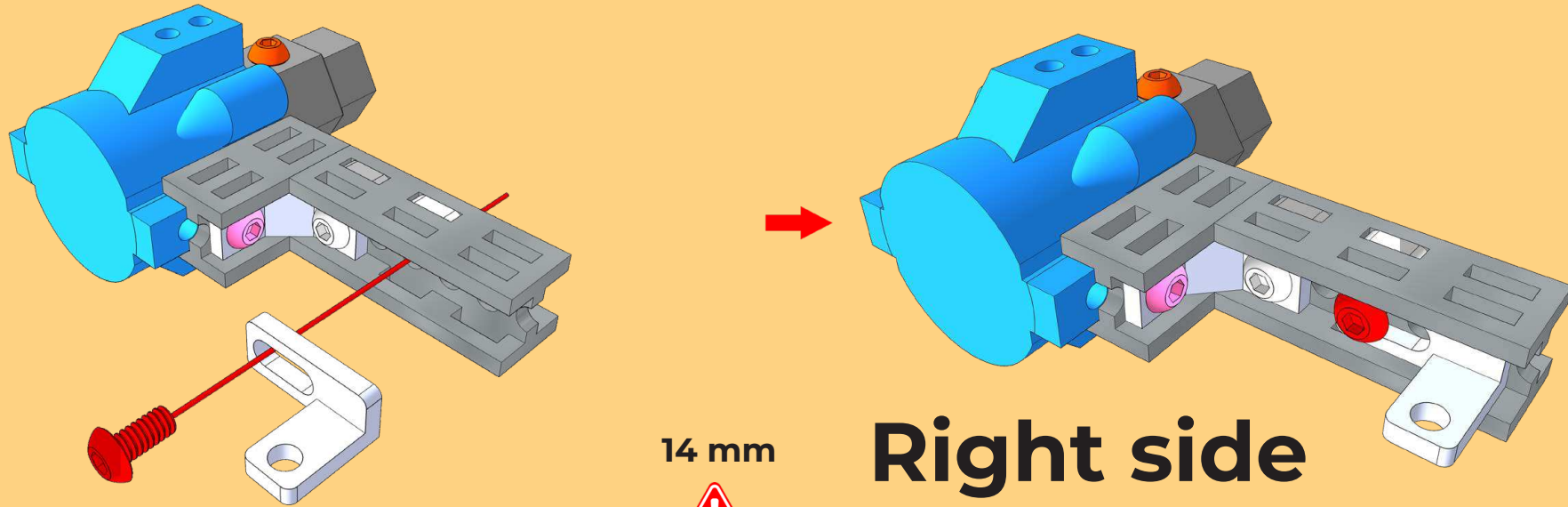
Left side


14 mm



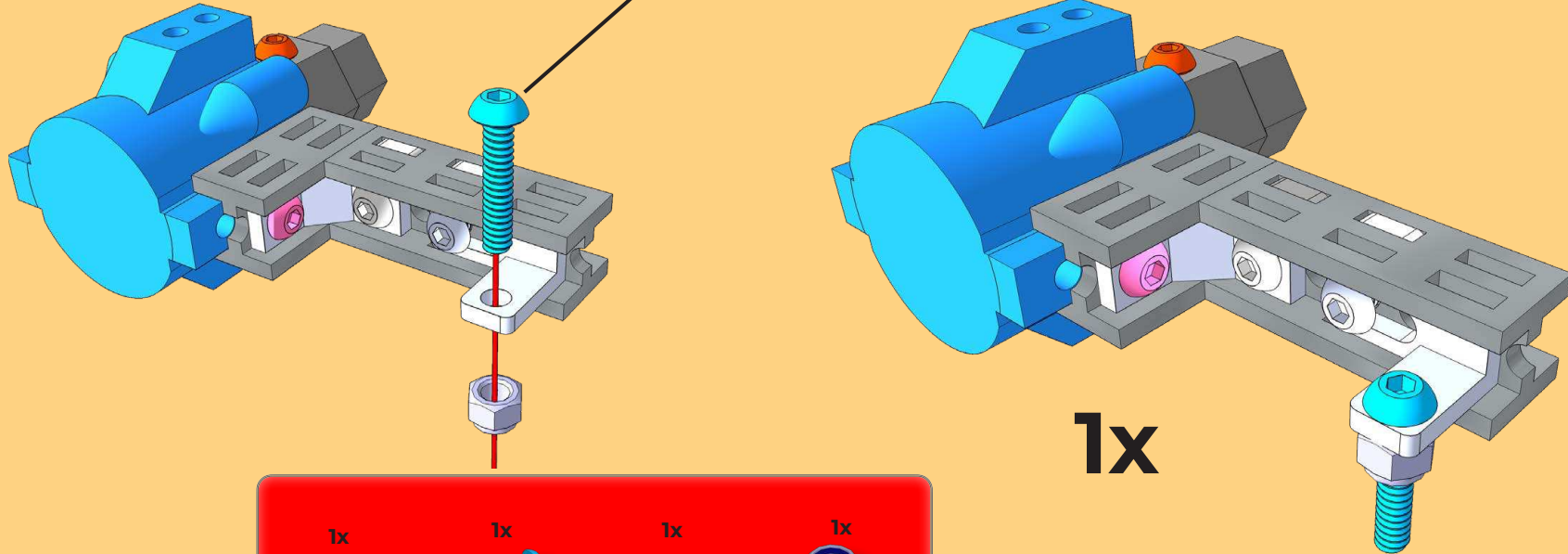
1x

 1x Bolt M3x6	 1x Bolt M3x14	 1x L-Twist	 1x Lock Nut M3
--	---	---	--



Right side

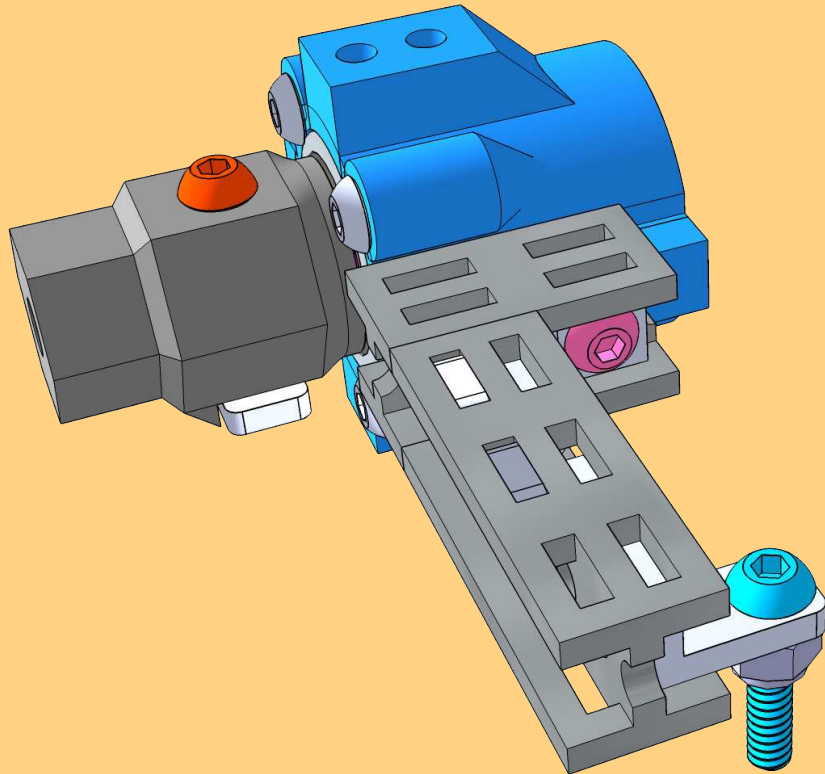
14 mm



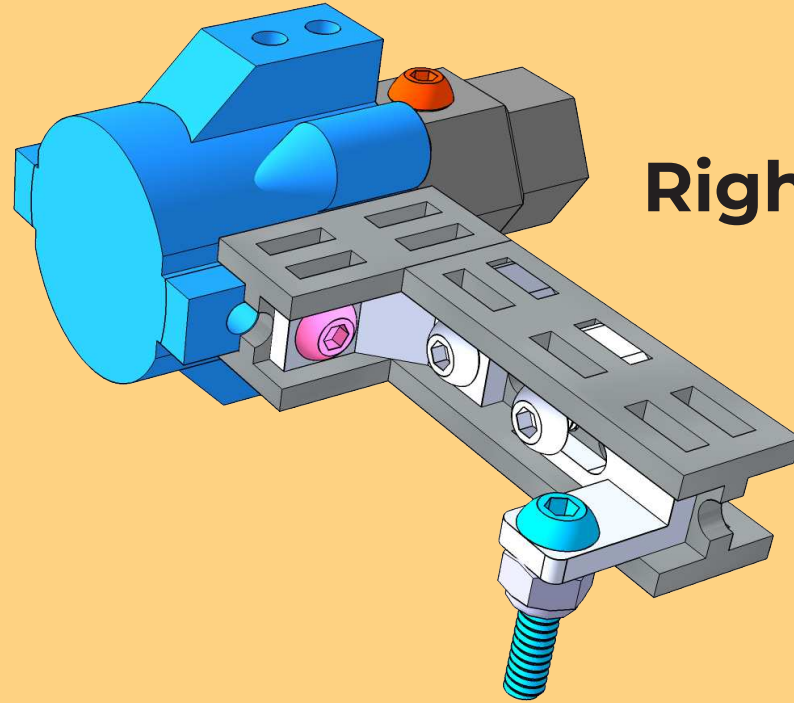
1x

 1x Bolt M3x6	 1x Bolt M3x14	 1x L-Twist mirror	 1x Lock Nut M3
--	---	---	--

Left side

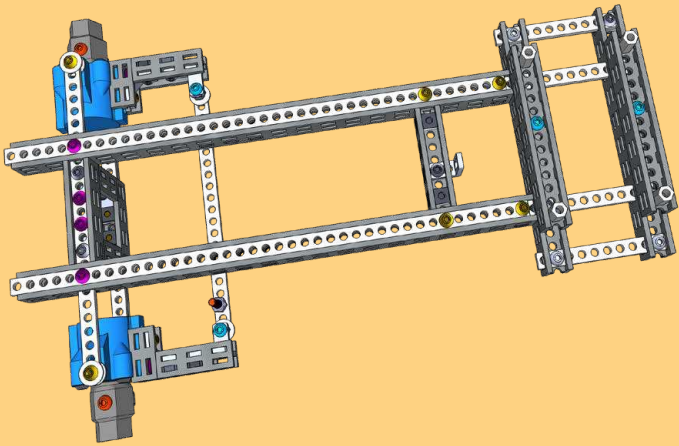


Right side



PART 6

PART 7



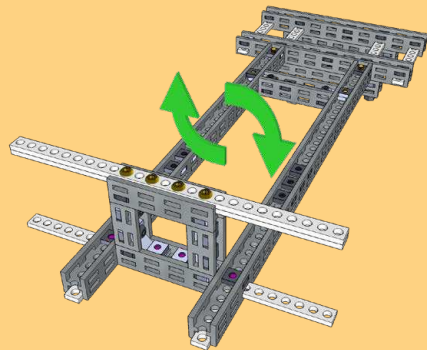
4x 	1x 	3x 	8x 
Bolt M3x10	Bolt M3x16	Lock Nut M3	Metal washer M3 9x0.8mm



10.5cm/21H	1 x
------------	-----



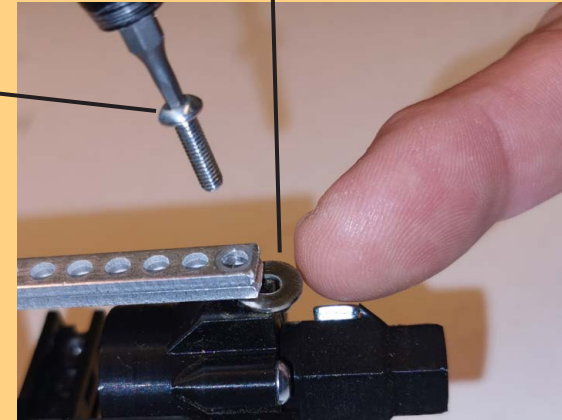
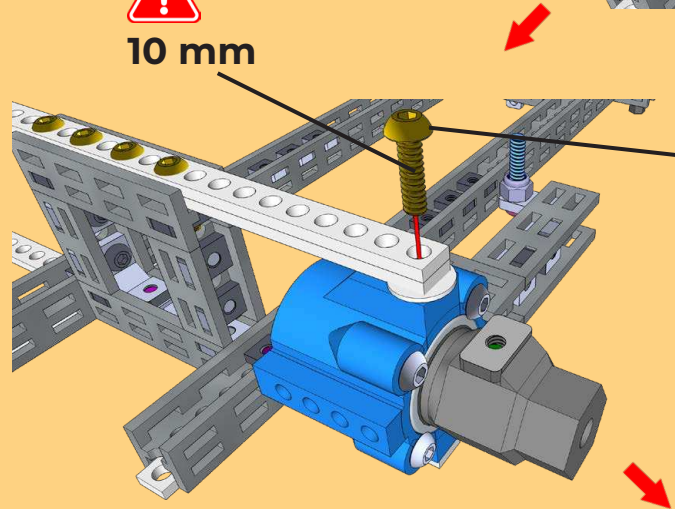
1



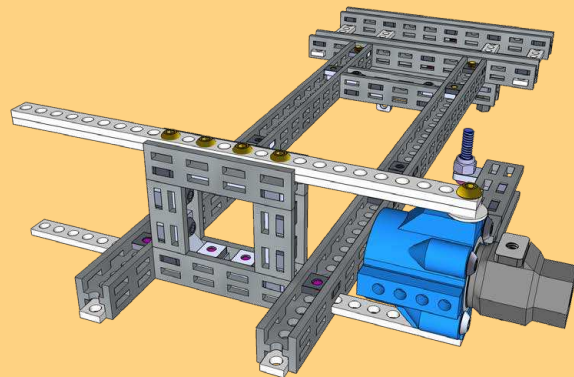
bottom up

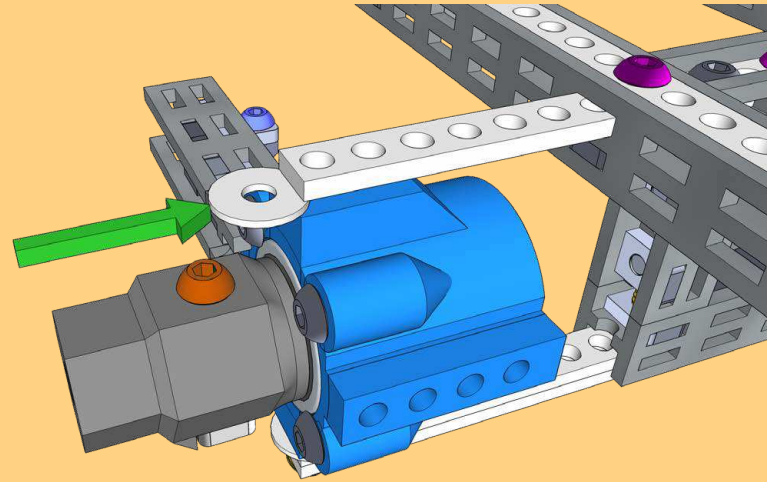
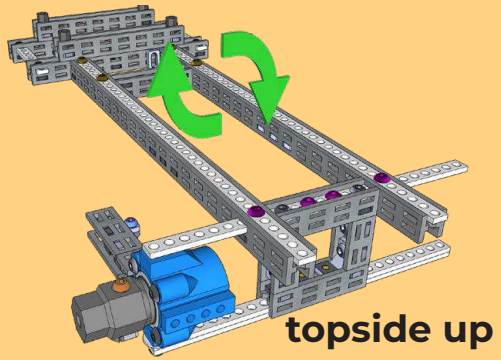


10 mm



1x 
Metal washer M3 9x0.8mm
1x 
Bolt M3x10

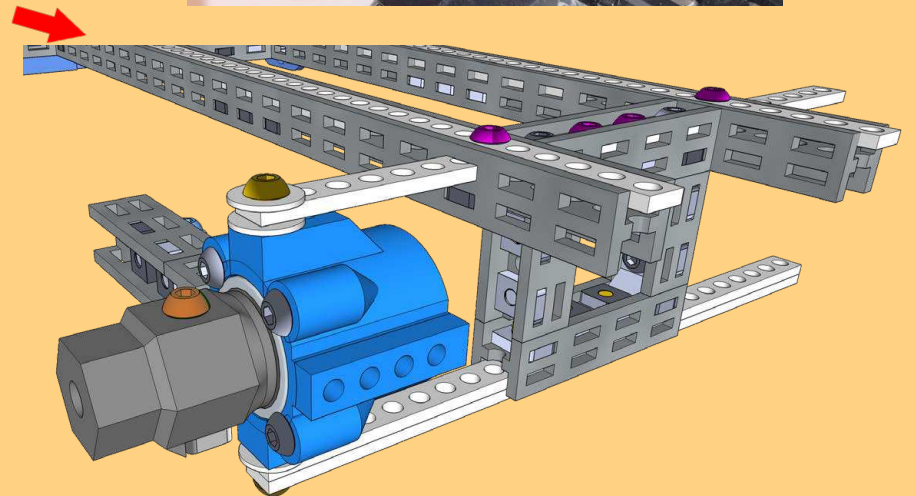
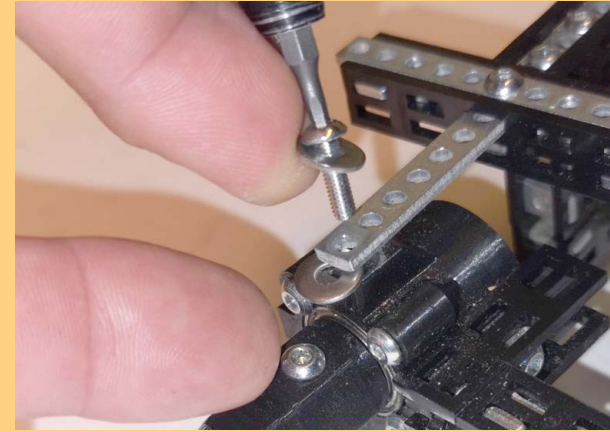
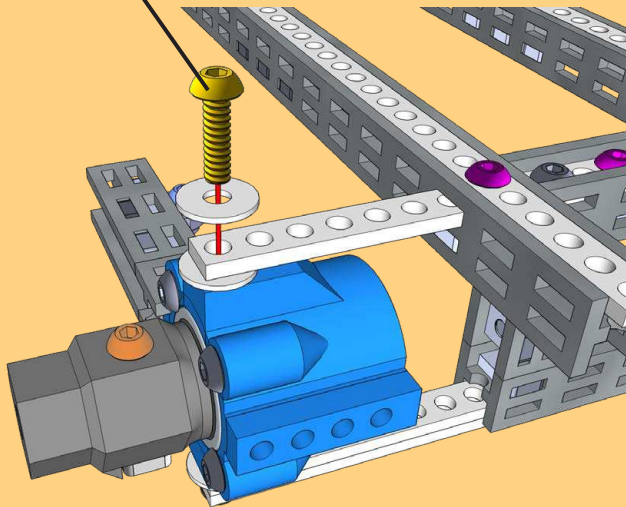




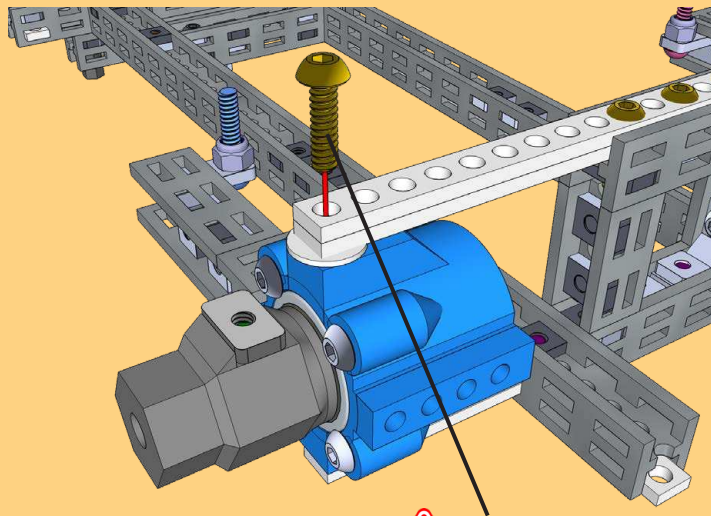
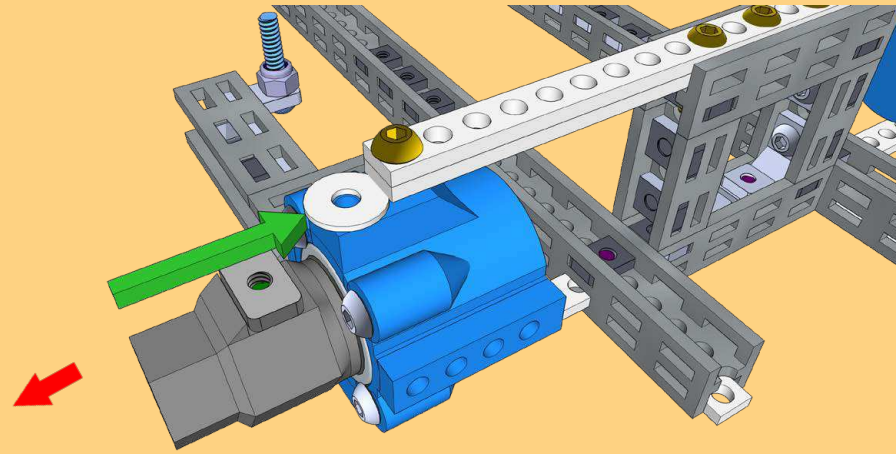
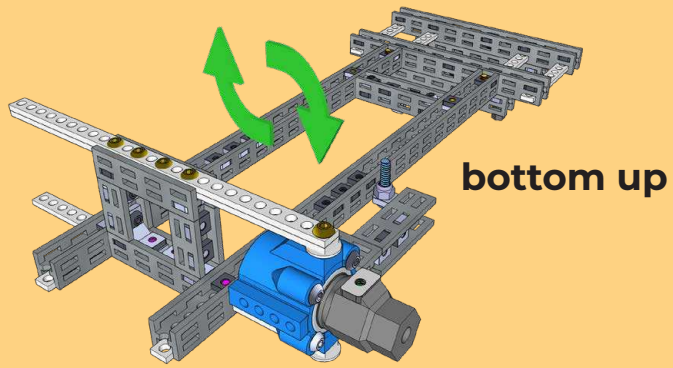
! 10 mm

2x
Metal washer M3
9x0.8mm

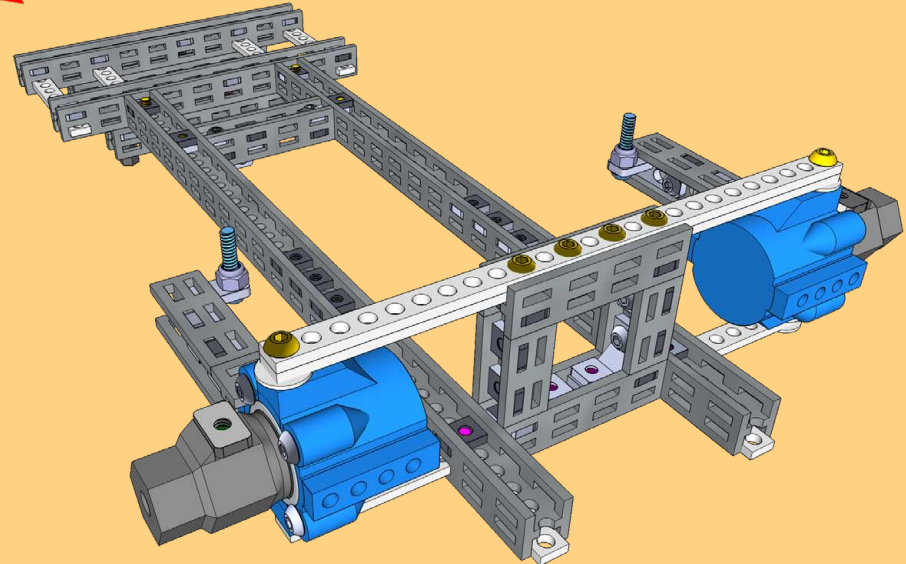
1x
Bolt M3x10



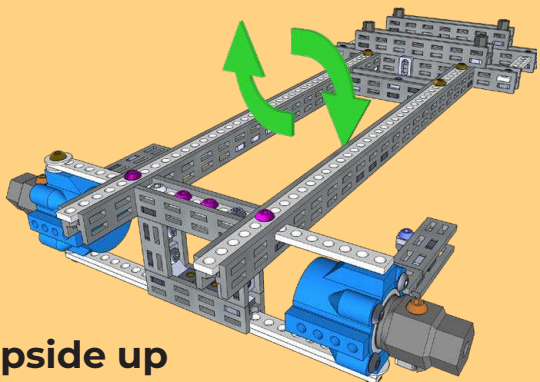
3



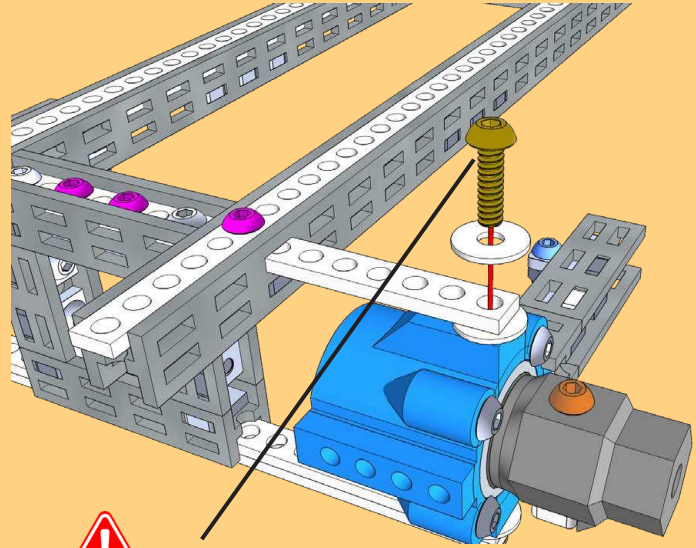
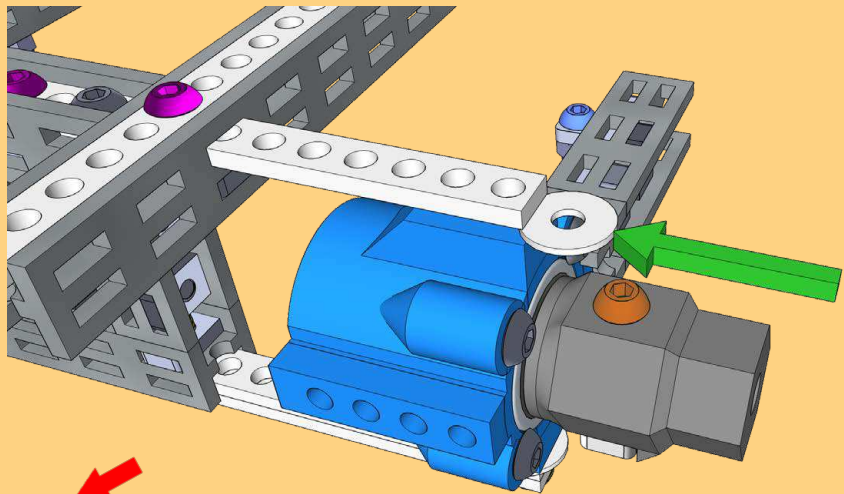
! 10 mm



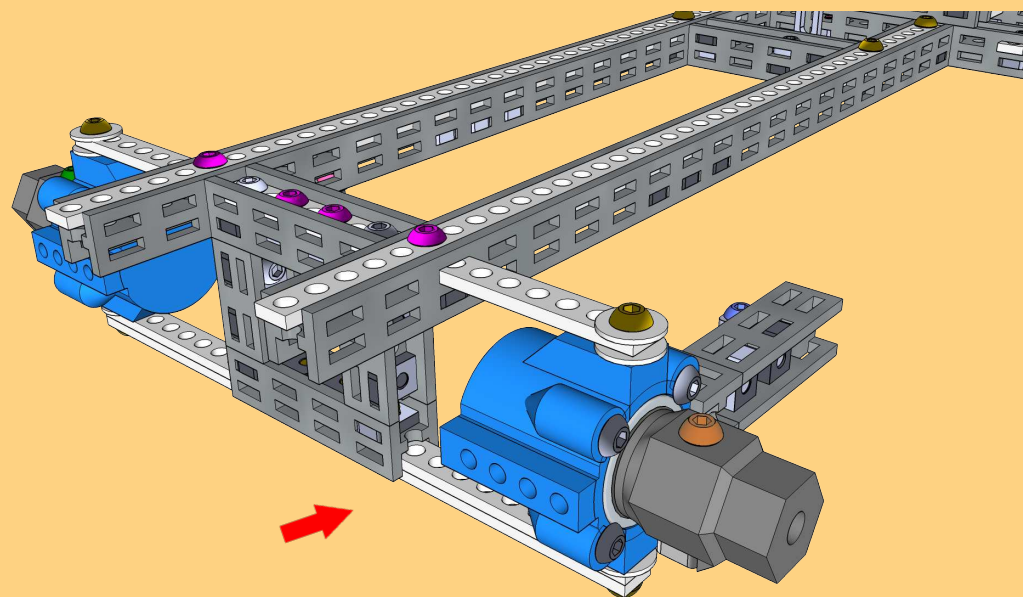
4



topside up



! 10 mm



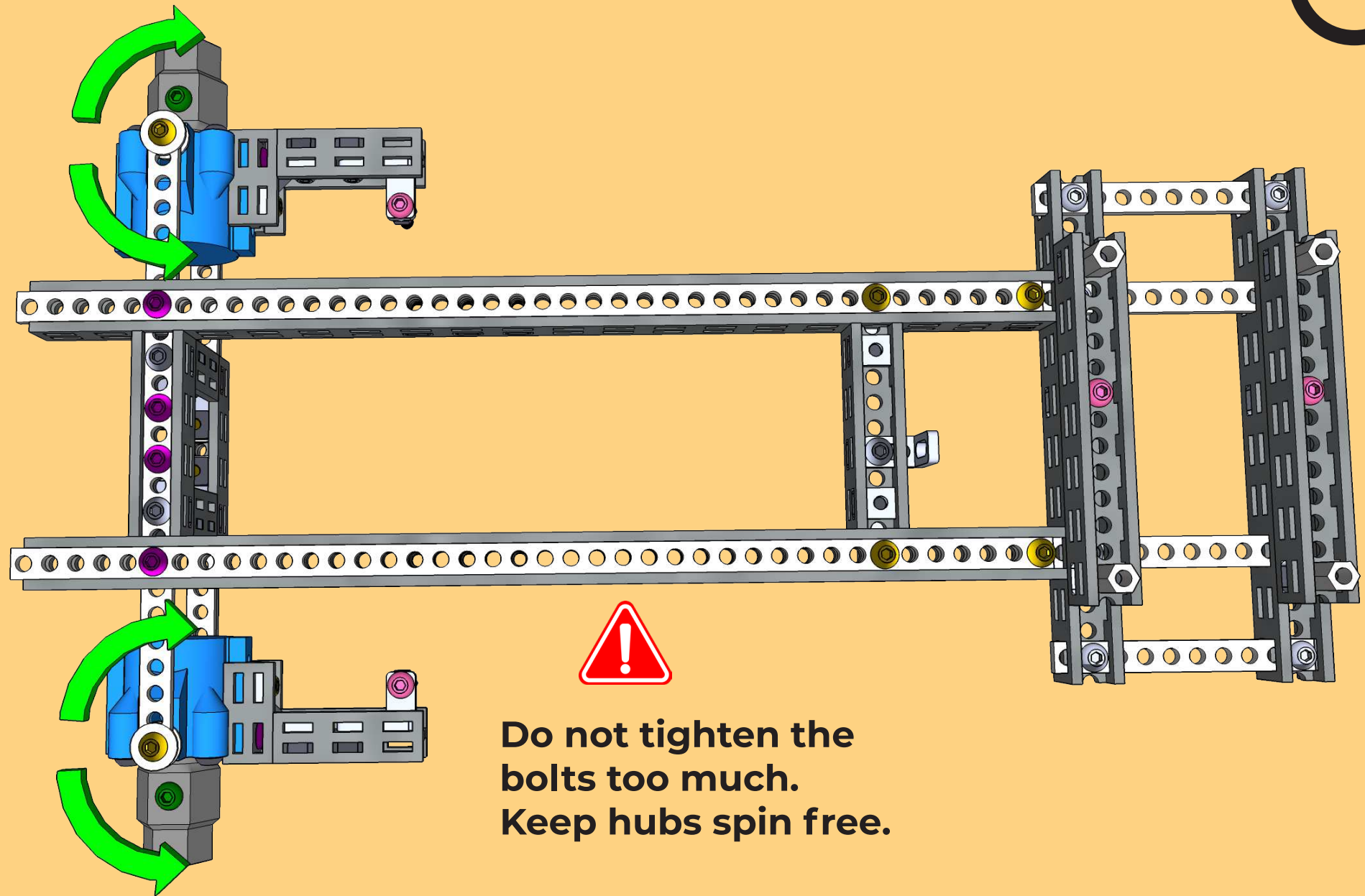
2x

Metal washer M3
9x0.8mm

1x

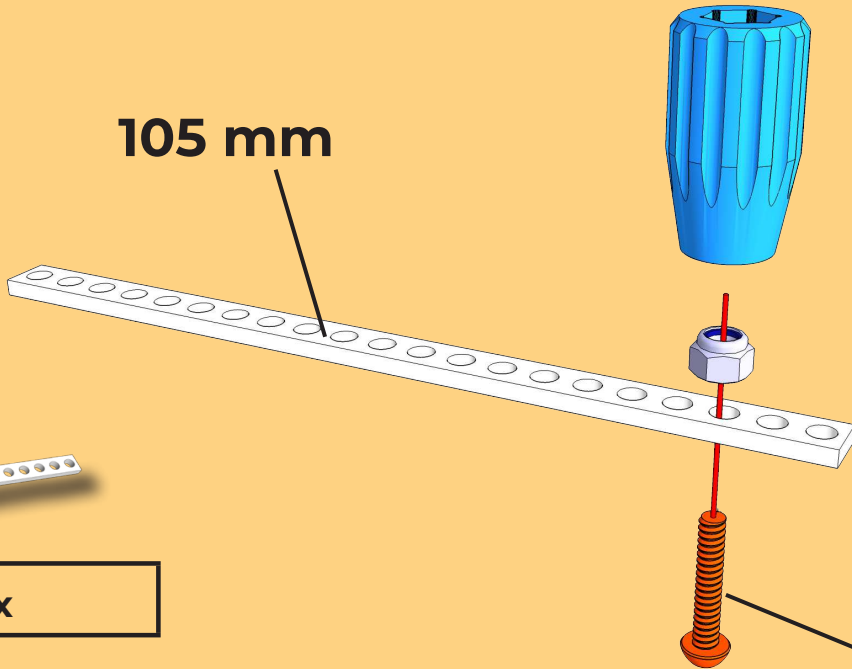
Bolt M3x10





Do not tighten the bolts too much. Keep hubs spin free.

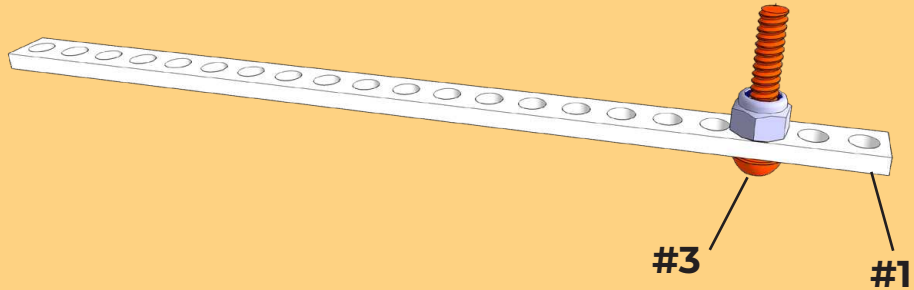
105 mm



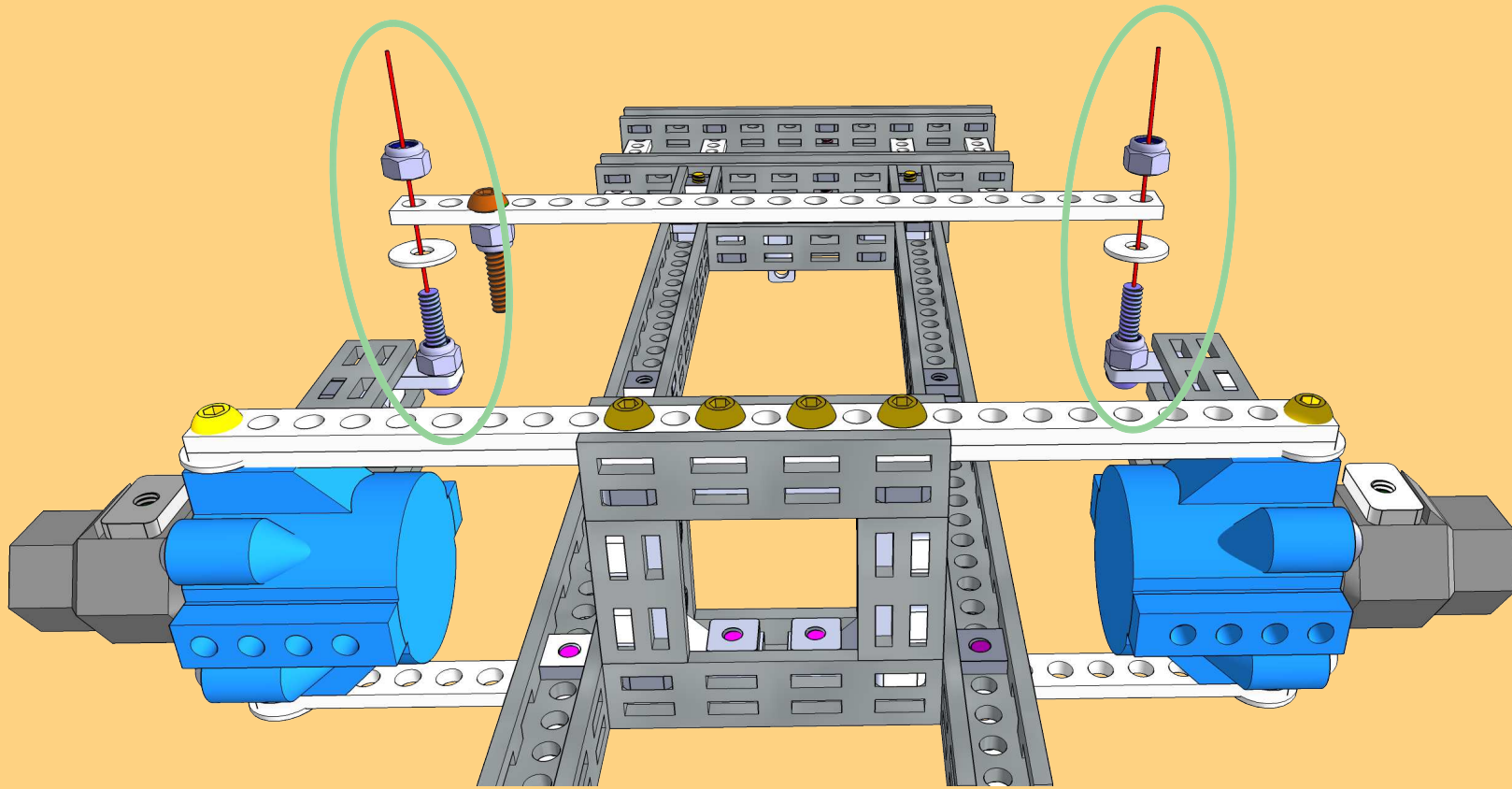
10.5cm/21H	1 x
------------	-----



16 mm



7



2x

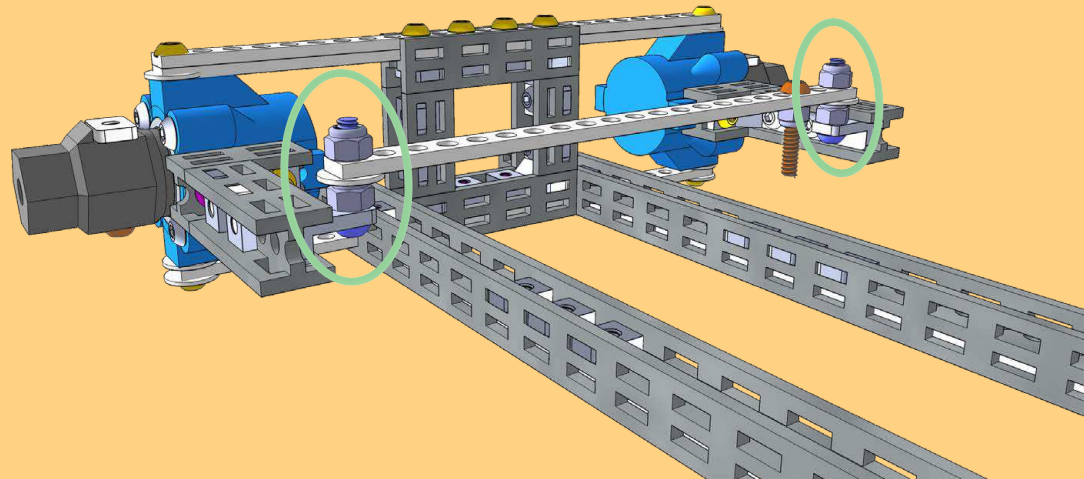


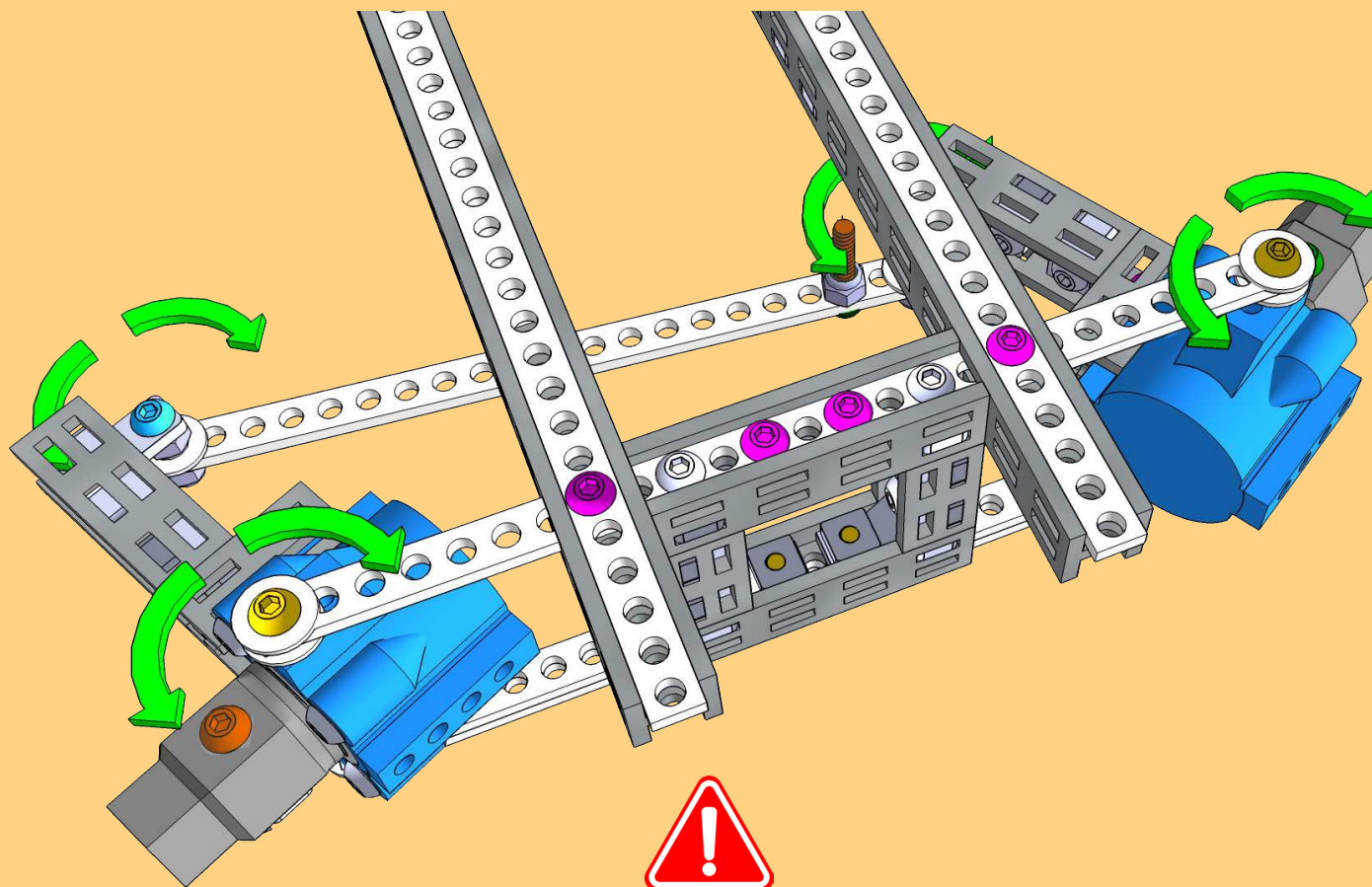
Metal washer M3
9x0.8mm

2x



Lock Nut M3



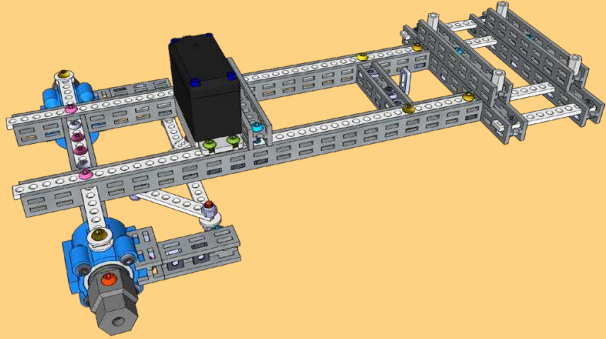


Do not tighten the nuts and bolts too much. Keep links spin free.

PART 7



PART 8



1x	4x	2x	1x
Bolt M3x10	Bolt M3x12	Bolt M3x14	Bolt M3x16

1x	2x	3x	1x
Nut M3 6x10	Lock Nut M3	Metal washer M3 9x0.8mm	servo motor with strip arm



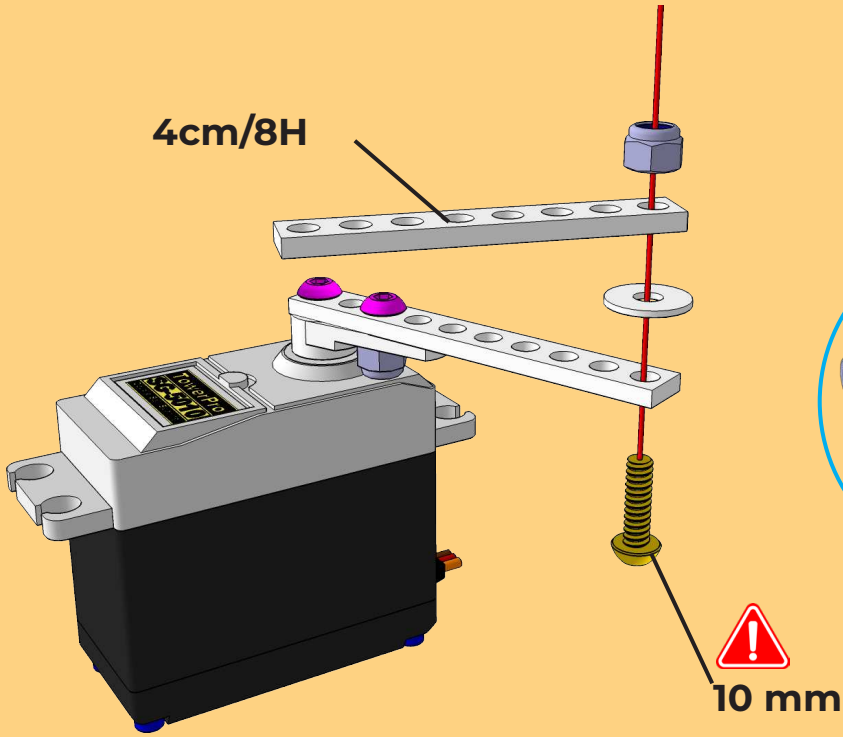
4cm/8H	1x
--------	----



6 cm	1x
------	----



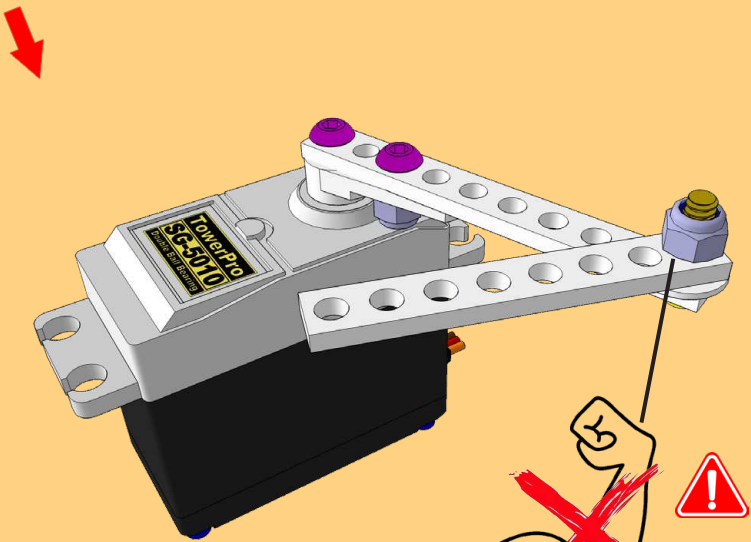
1



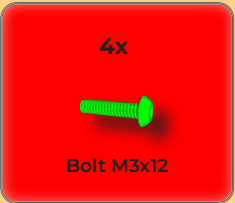
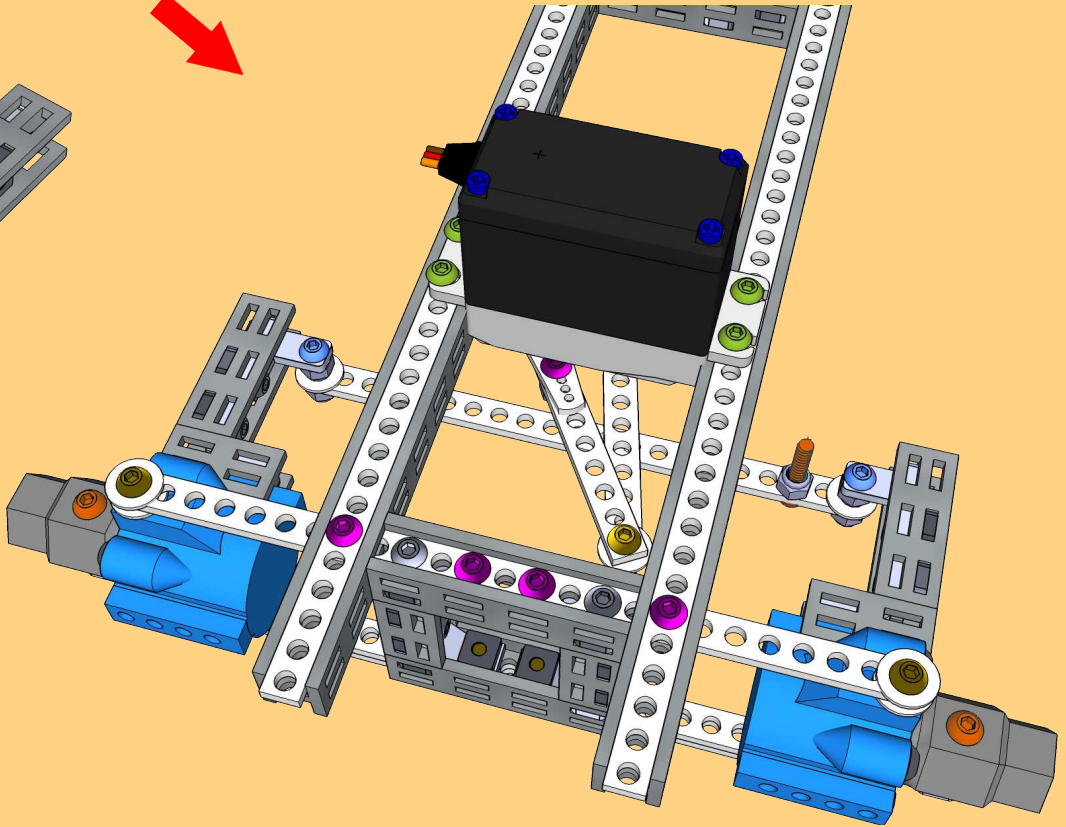
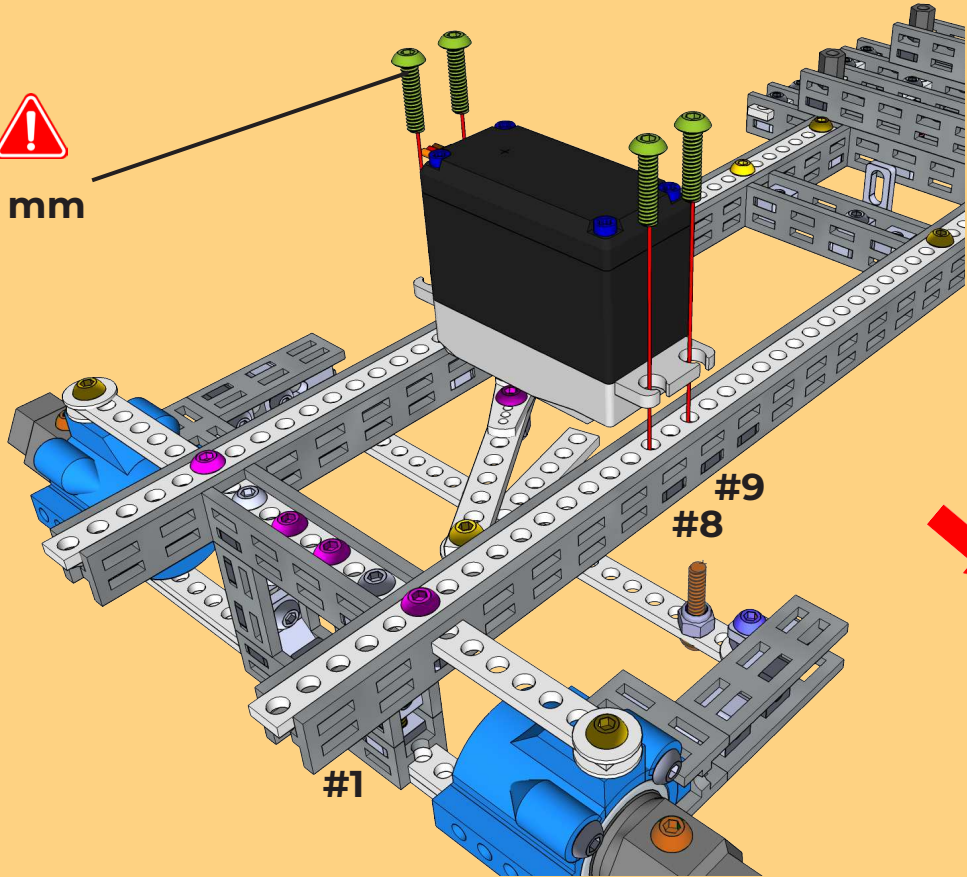
	4cm/8H	1x
--	--------	----

1x		Lock Nut M3
1x		Metal washer M3 9x0.8mm

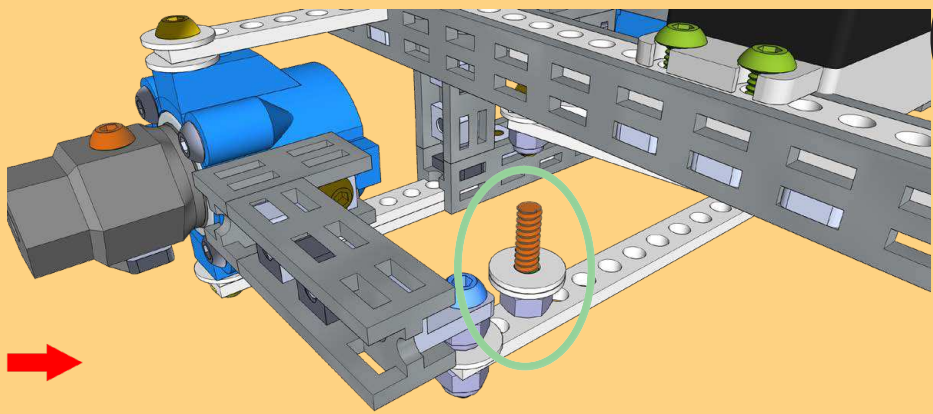
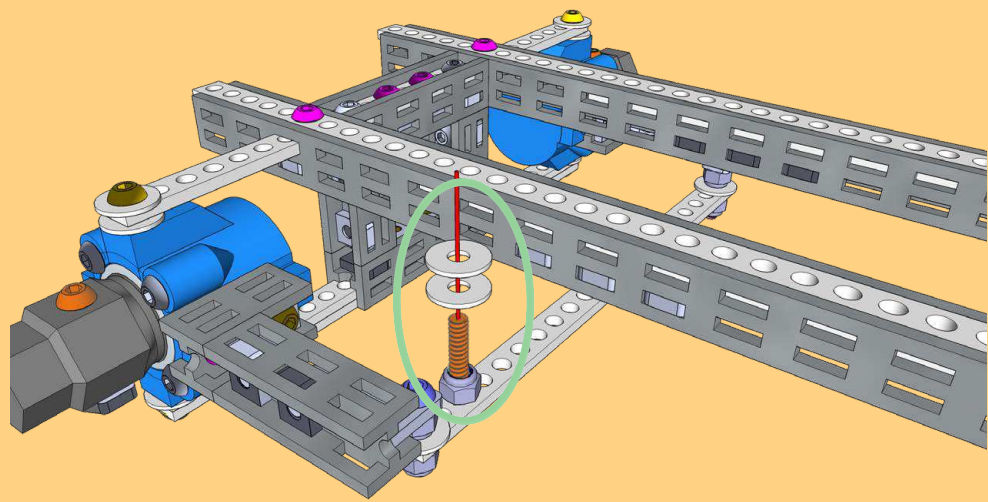
1x		servo motor with strip arm
1x		Bolt M3x10



⚠
4x 12 mm



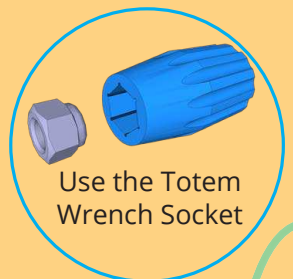
3



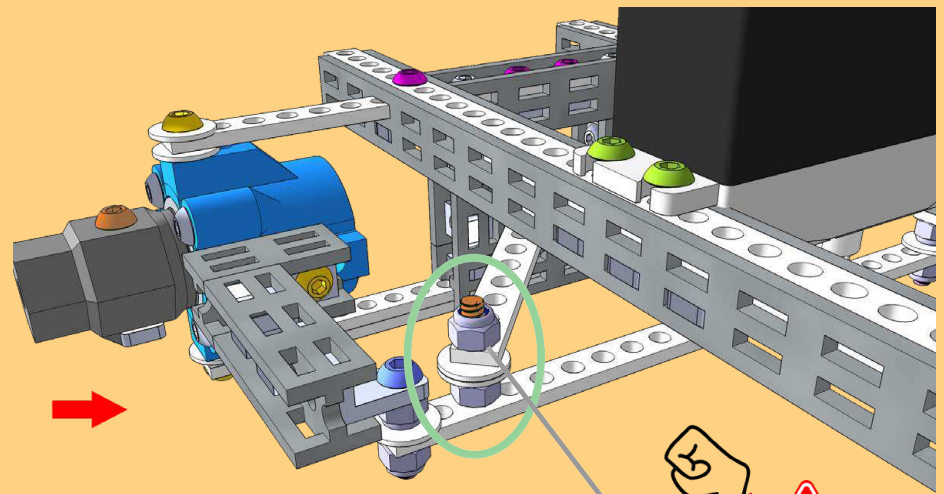
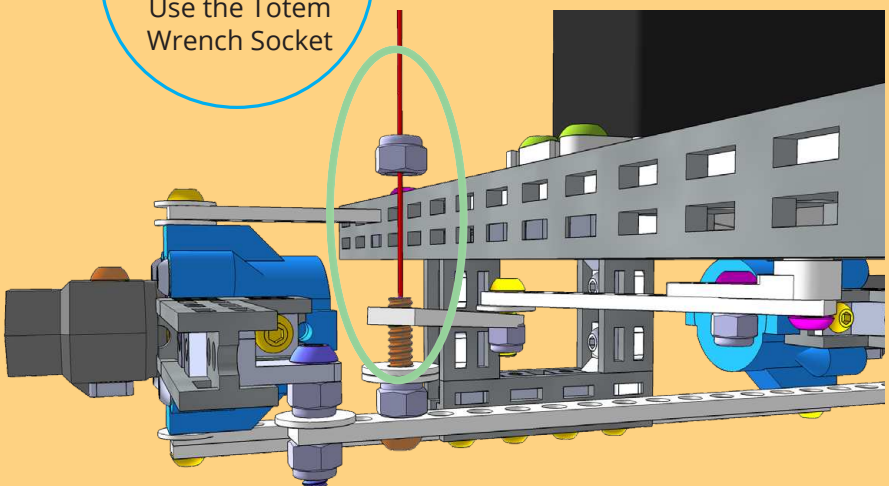
- 1x

Lock Nut M3
- 2x

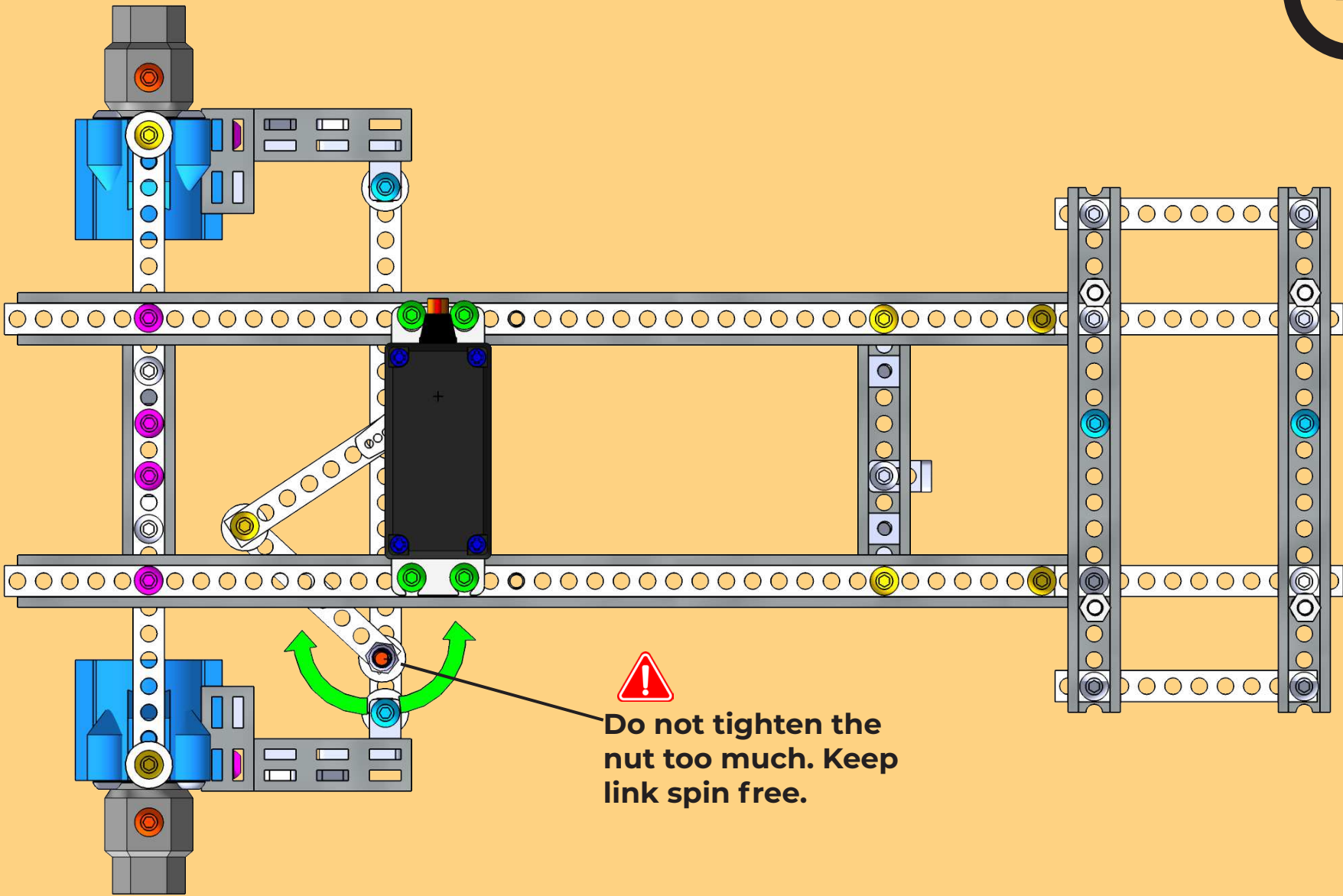
Metal washer M3
9x0.8mm




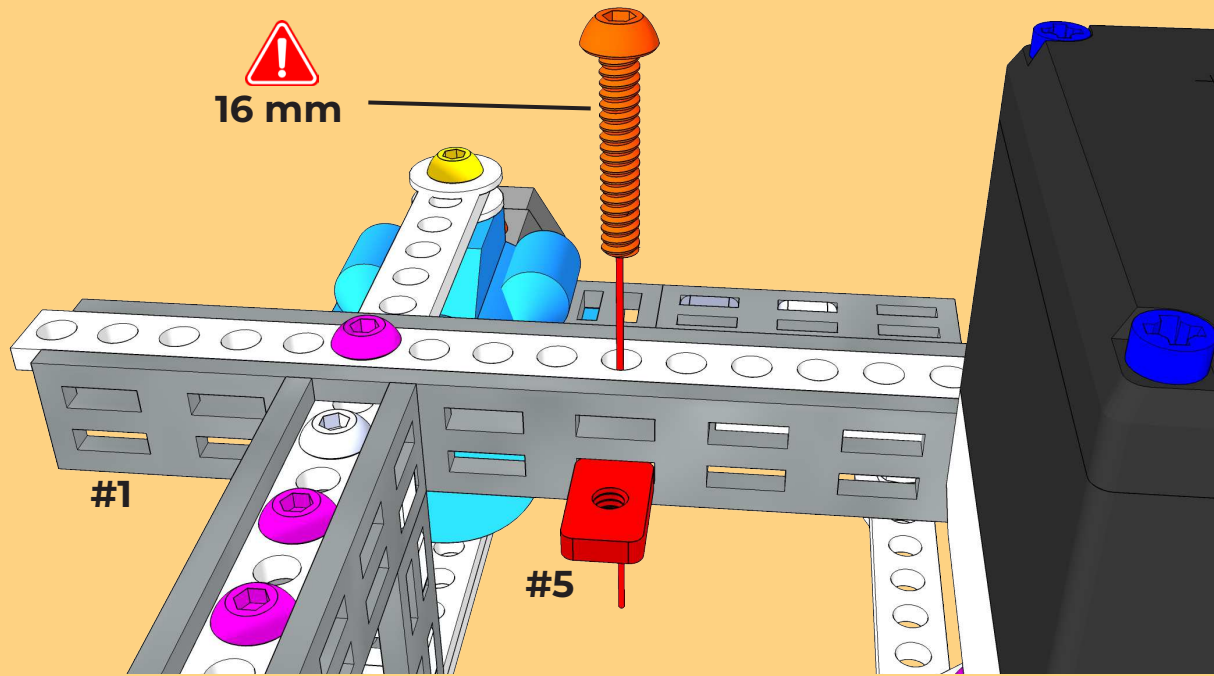
Use the Totem
Wrench Socket



4



 Do not tighten the nut too much. Keep link spin free.



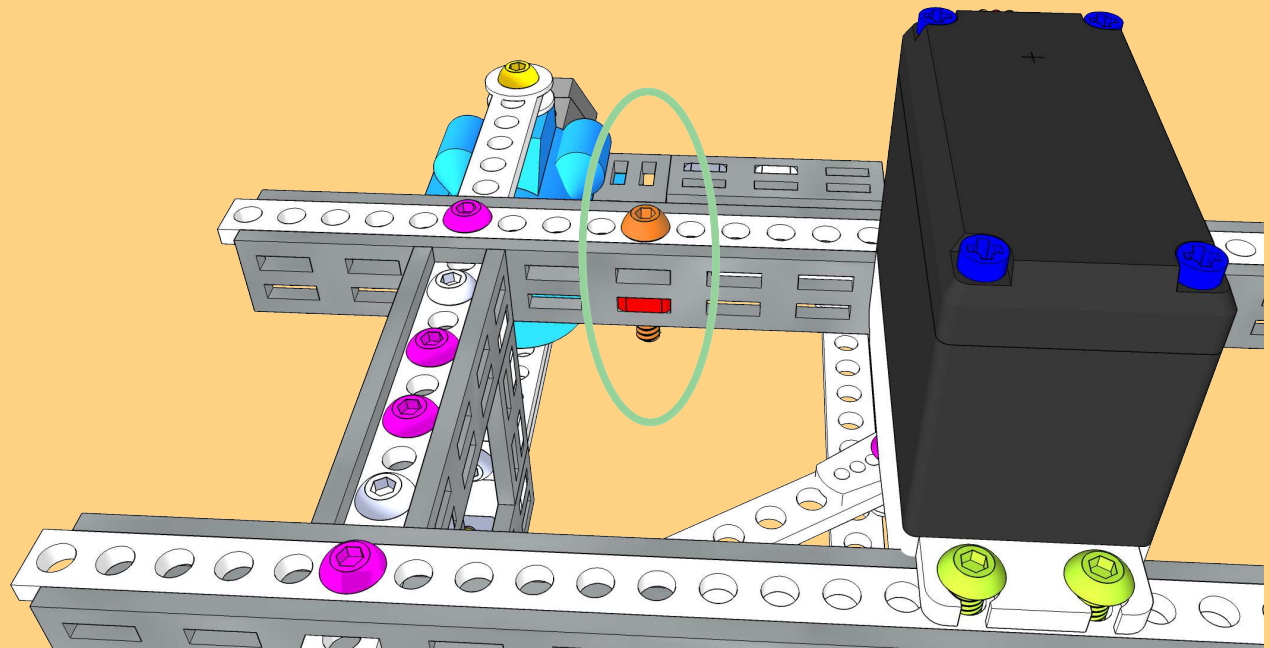
5



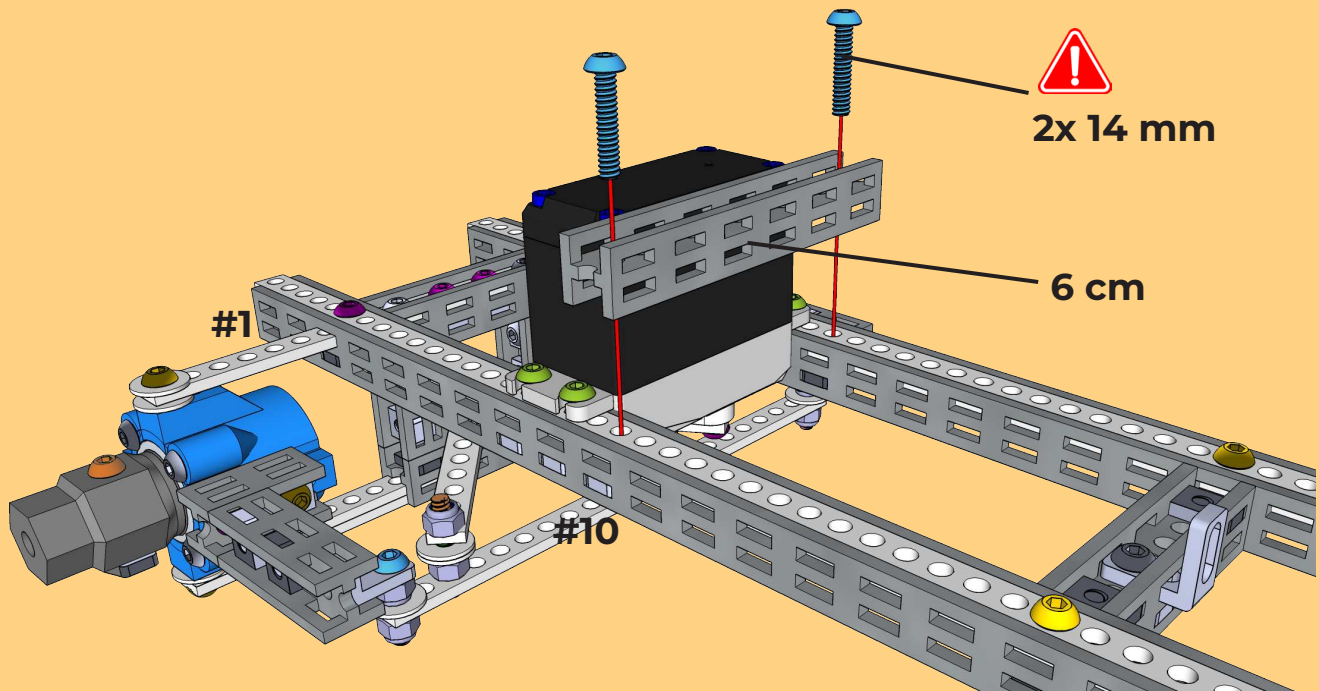
The 16 mm bolt has the function to stop over-turn when maximum right-turn.

If the car bumps into something, when maximum right-turning, the steering can “snap” into a locked position.

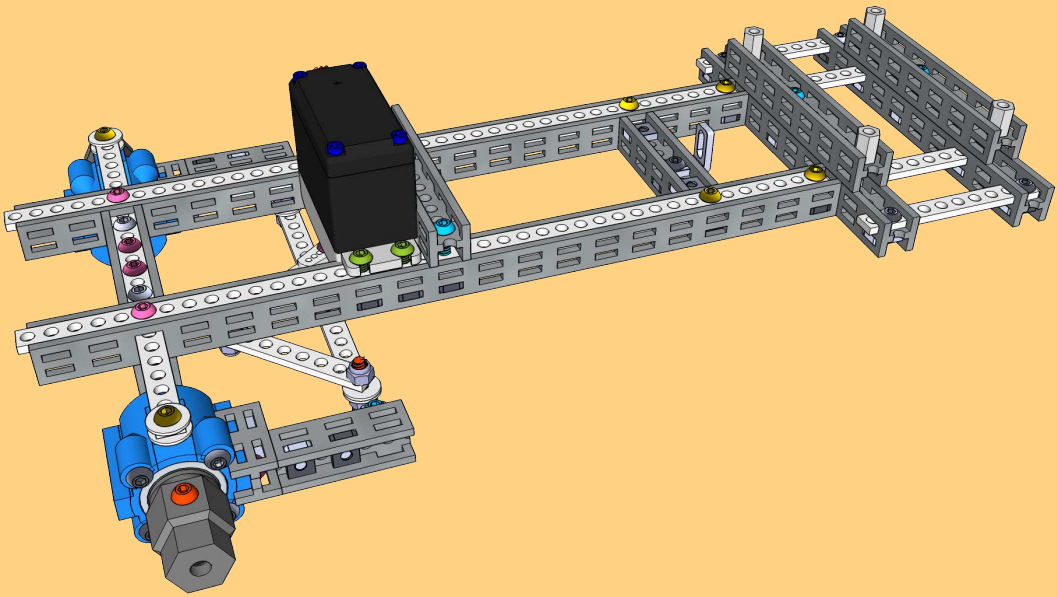
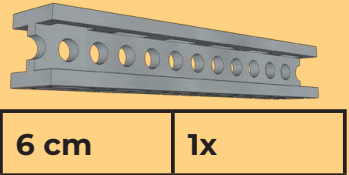
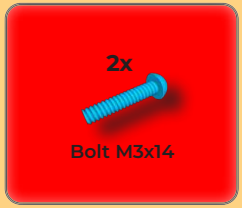
The bolt stops steering arm before this can happen.



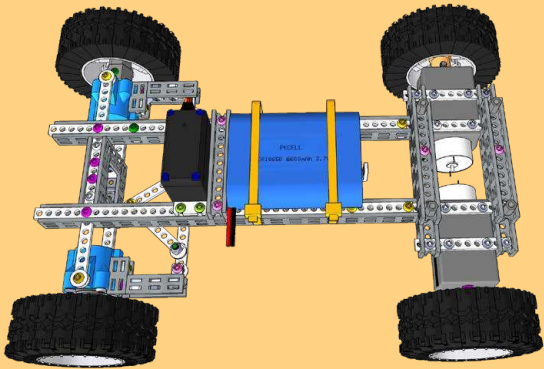
6



PART 8



PART 9



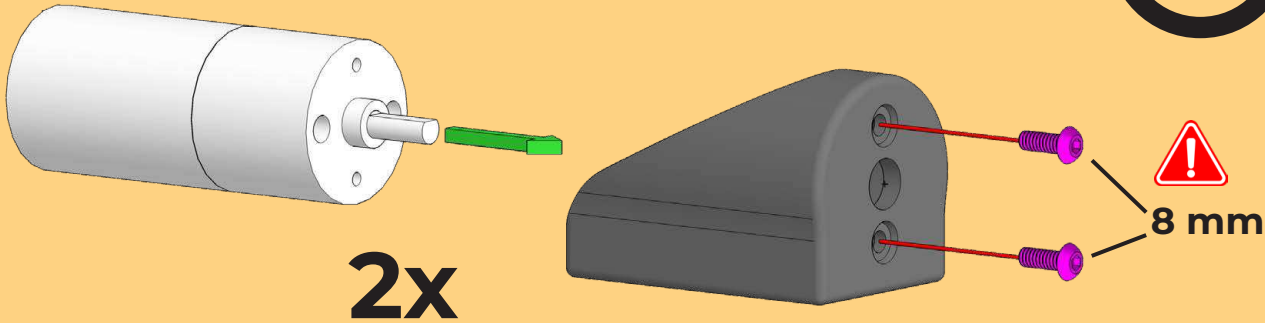
- 4x Bolt M3x8
- 8x Bolt M3x6
- 4x M4 Set-screw
- 4x M4 Bolt for wheel

- 2x 25mm Motor Bracket
- 2x 25mm DC-motor
- 2x 4mm shaft to HEX 12mm wheel coupler

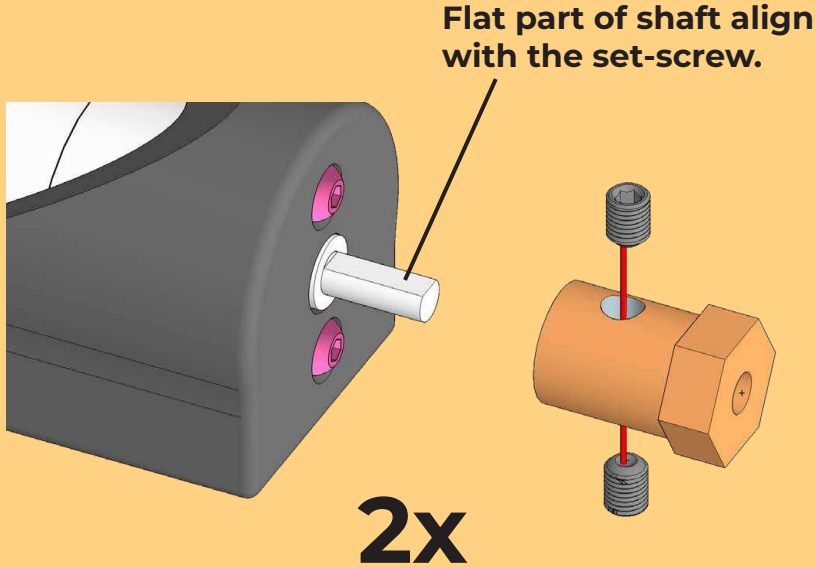
- 1x 11.2v Li-Ion Battery Pack
- 2x 20 cm ZIP TIE
- 4x 77mm Wheel



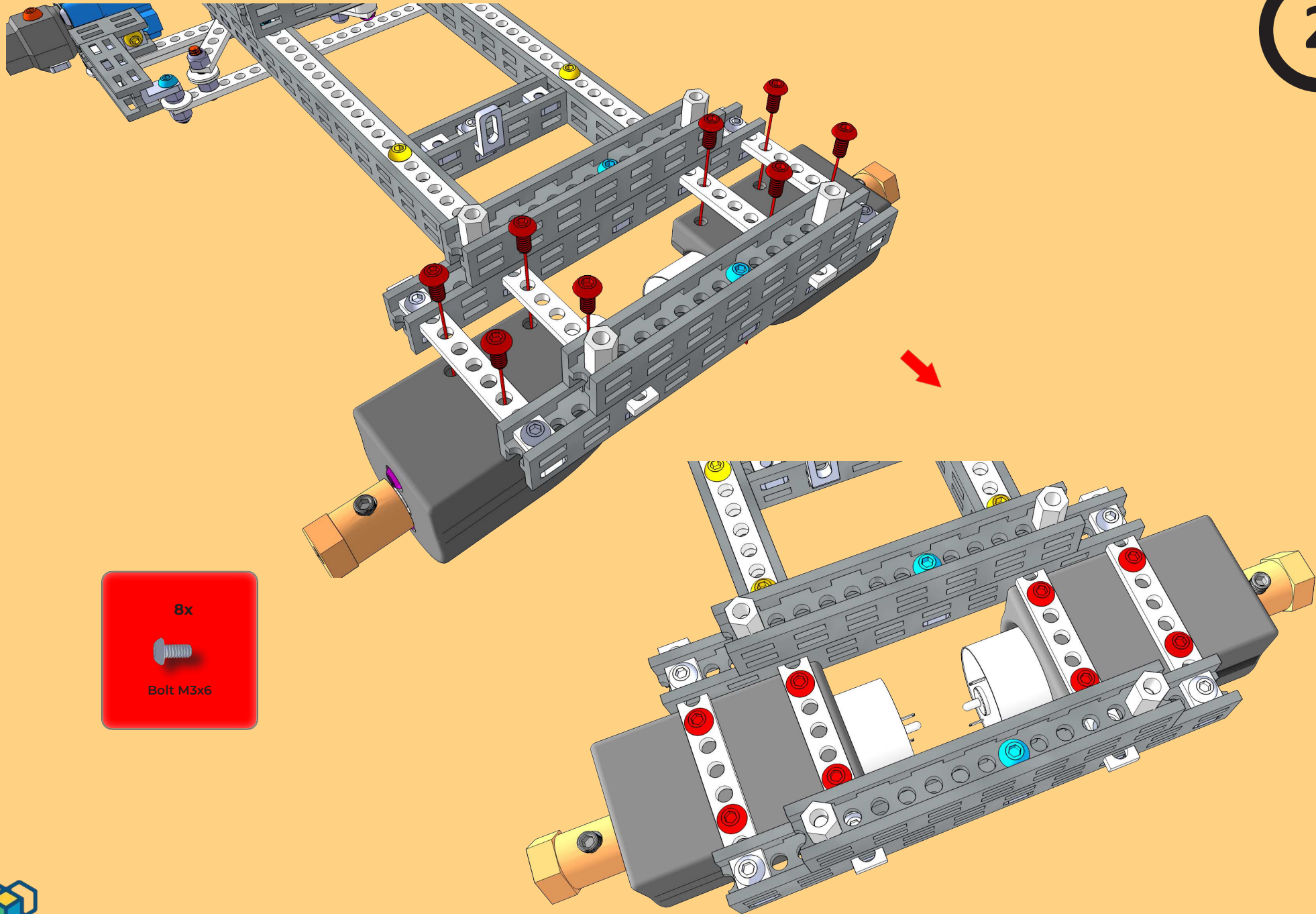
1



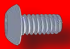
- 2x 25mm Motor Bracket
- 2x 25mm DC-motor geared
- 4x Bolt M3x8
- 4x M4 Set-screw
- 2x 4mm shaft to HEX 12mm wheel coupler



2



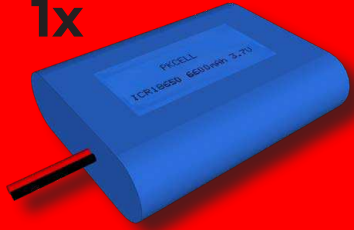
8x



Bolt M3x6

3

1x

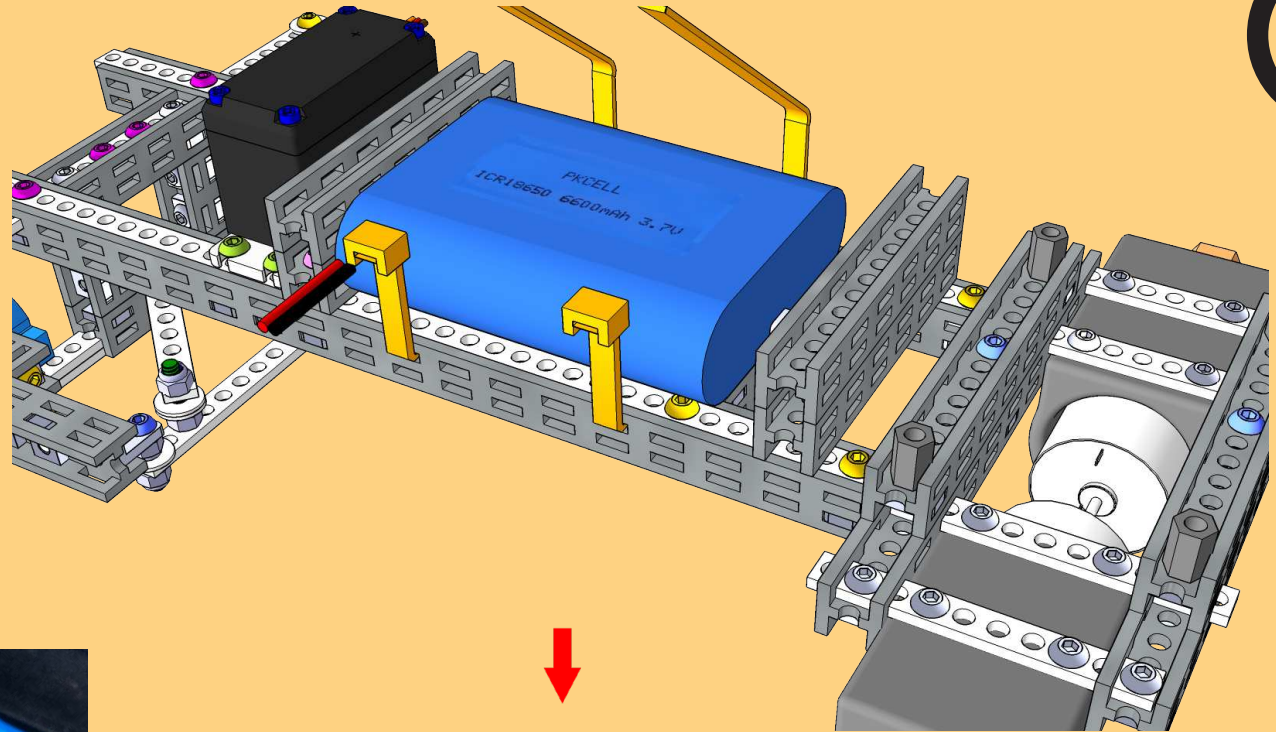


3x18650 Li-ion pack.

2x

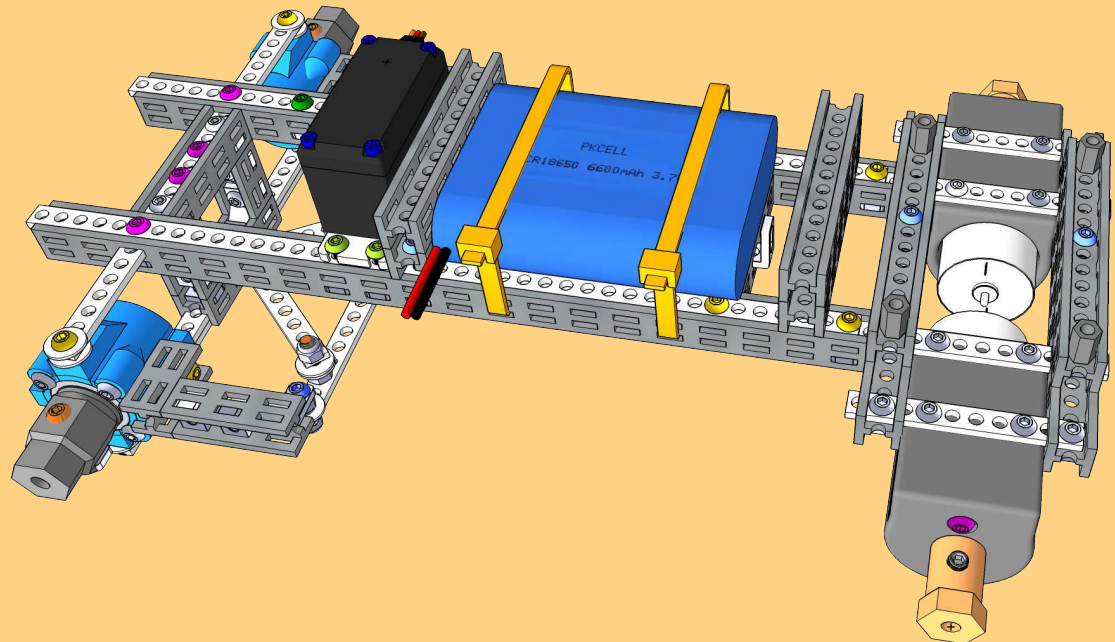


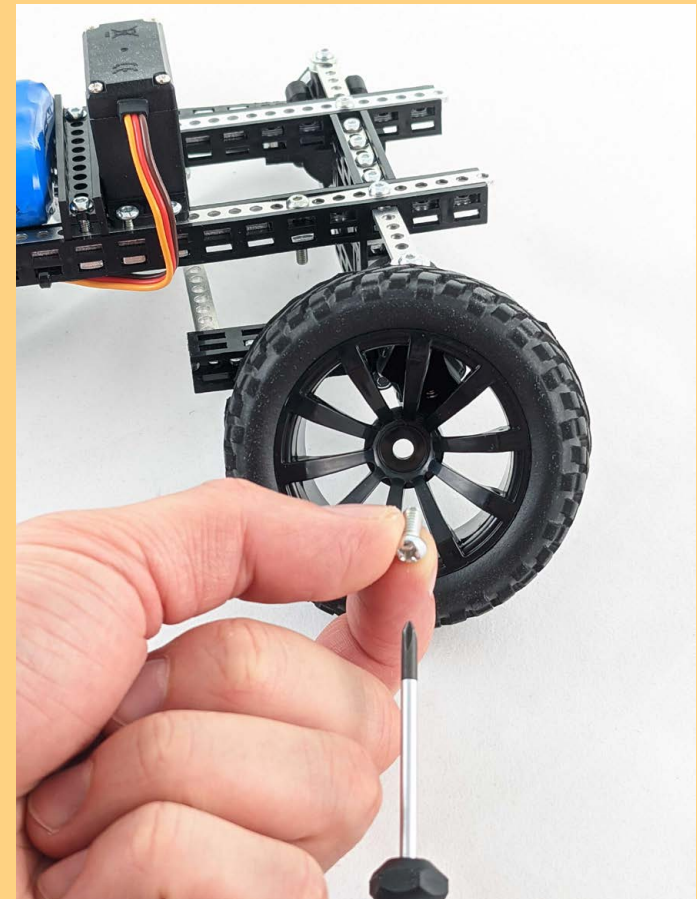
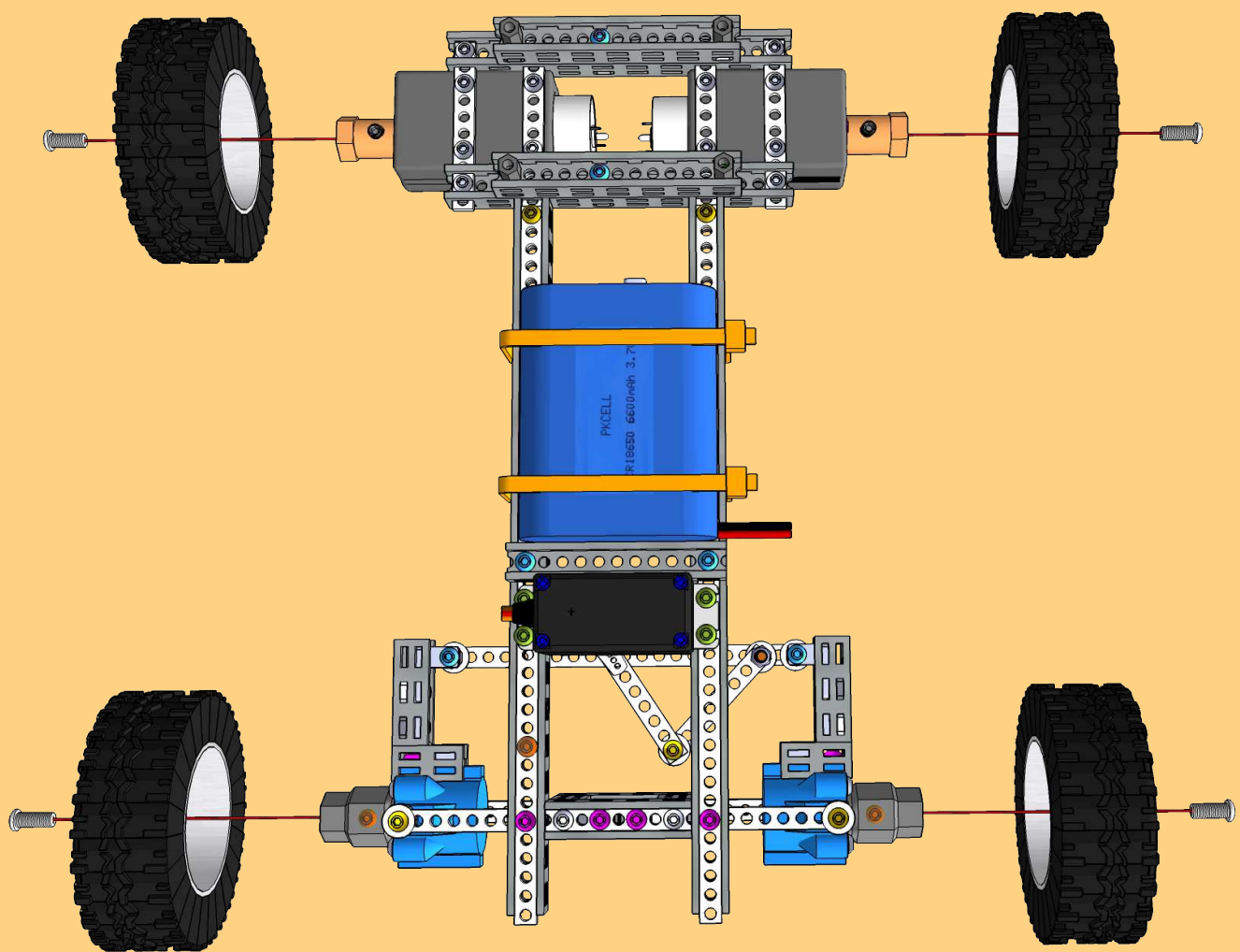
Zip Tie 20 cm



OPTIONAL:

You may put the battery cables behind the Zip-Ties that holds the battery.





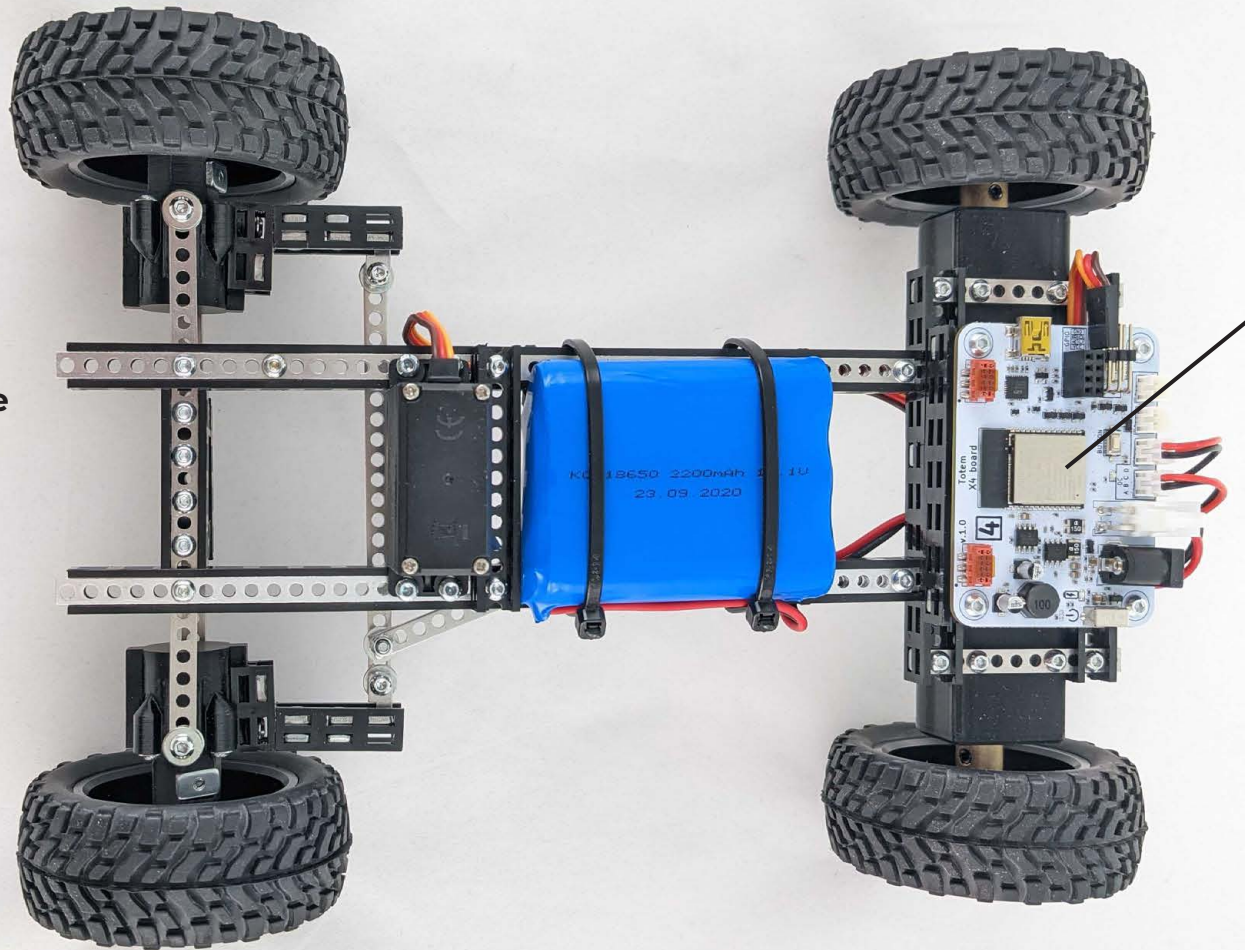
Mount the wheels.

The wheels fit into the 12mm HEX couplers in the front and back. The included M4 (4mm) bolts are used for this purpose. Use any suitable screwdriver. (e.g. Philips drive or flat-type)



Tyre patterns

The wheels are in pairs. You can see on the picture which side either the left or right pattern goes.






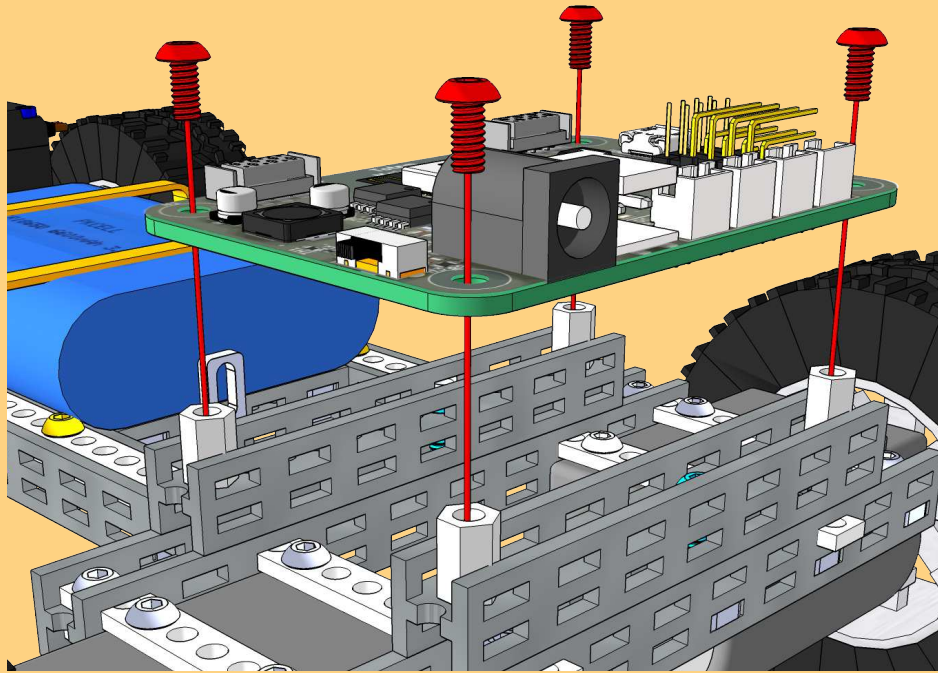
(On this image the X4 board is mounted already. This comes actually in the next PART 10.)



PART 10



- 4x

Bolt M3x6
- 1x

X4 Totem controller
- 3-6x

10 cm ZIP TIE

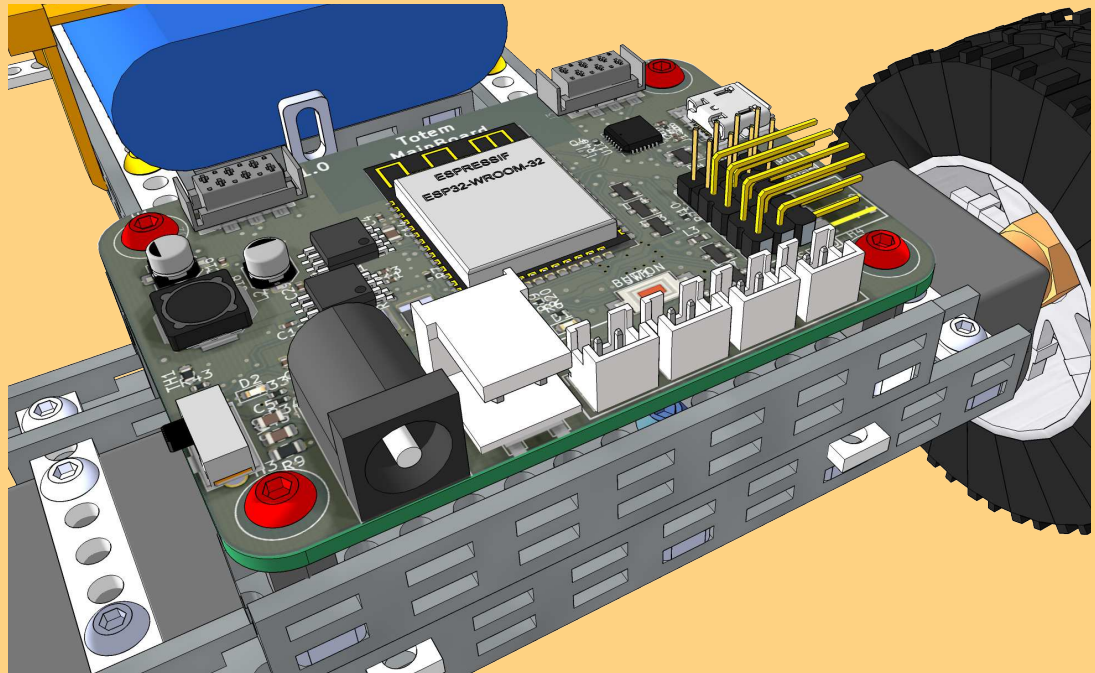


1

- 4x

Bolt M3x6
- 1x

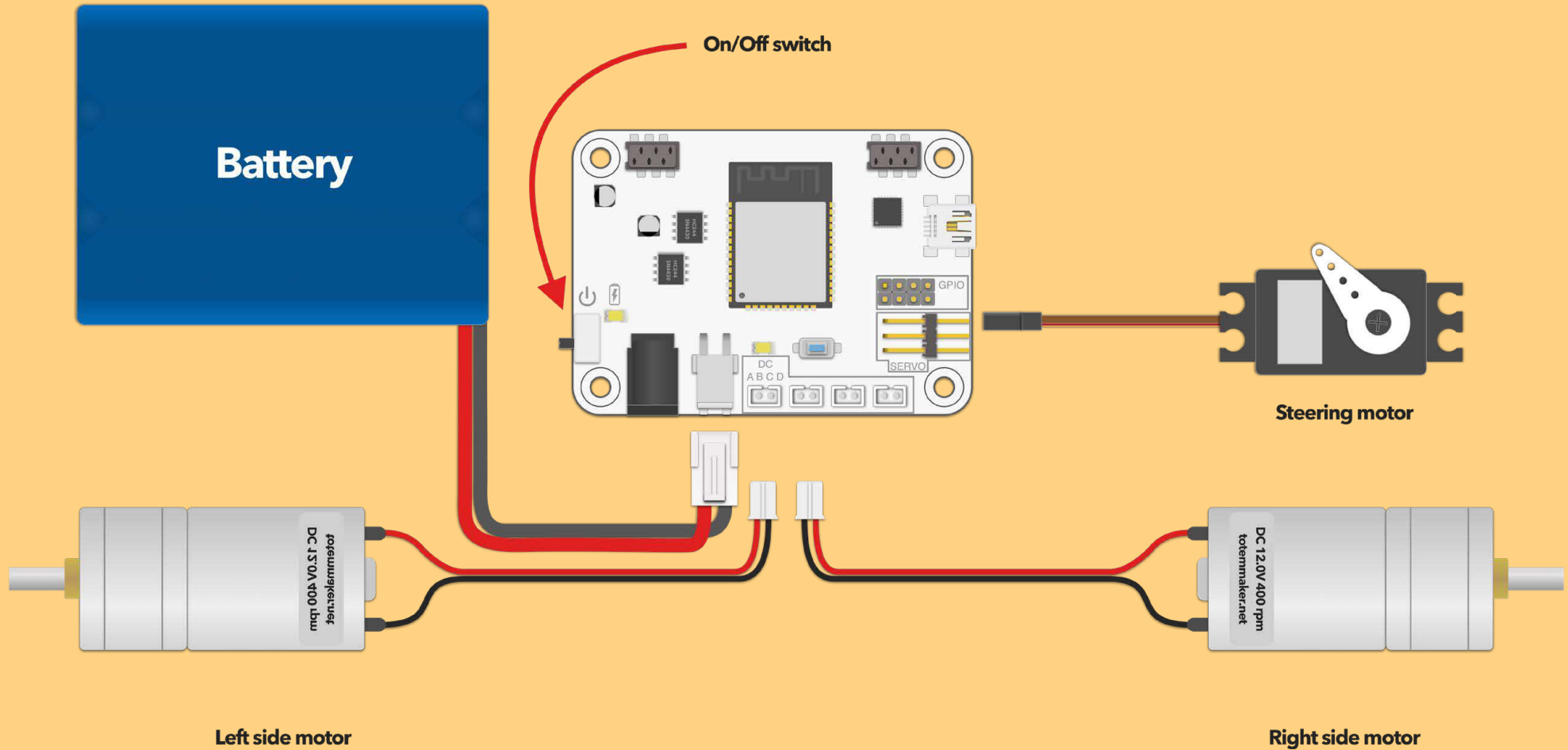
X4 Totem controller



CONNECTION DIAGRAM

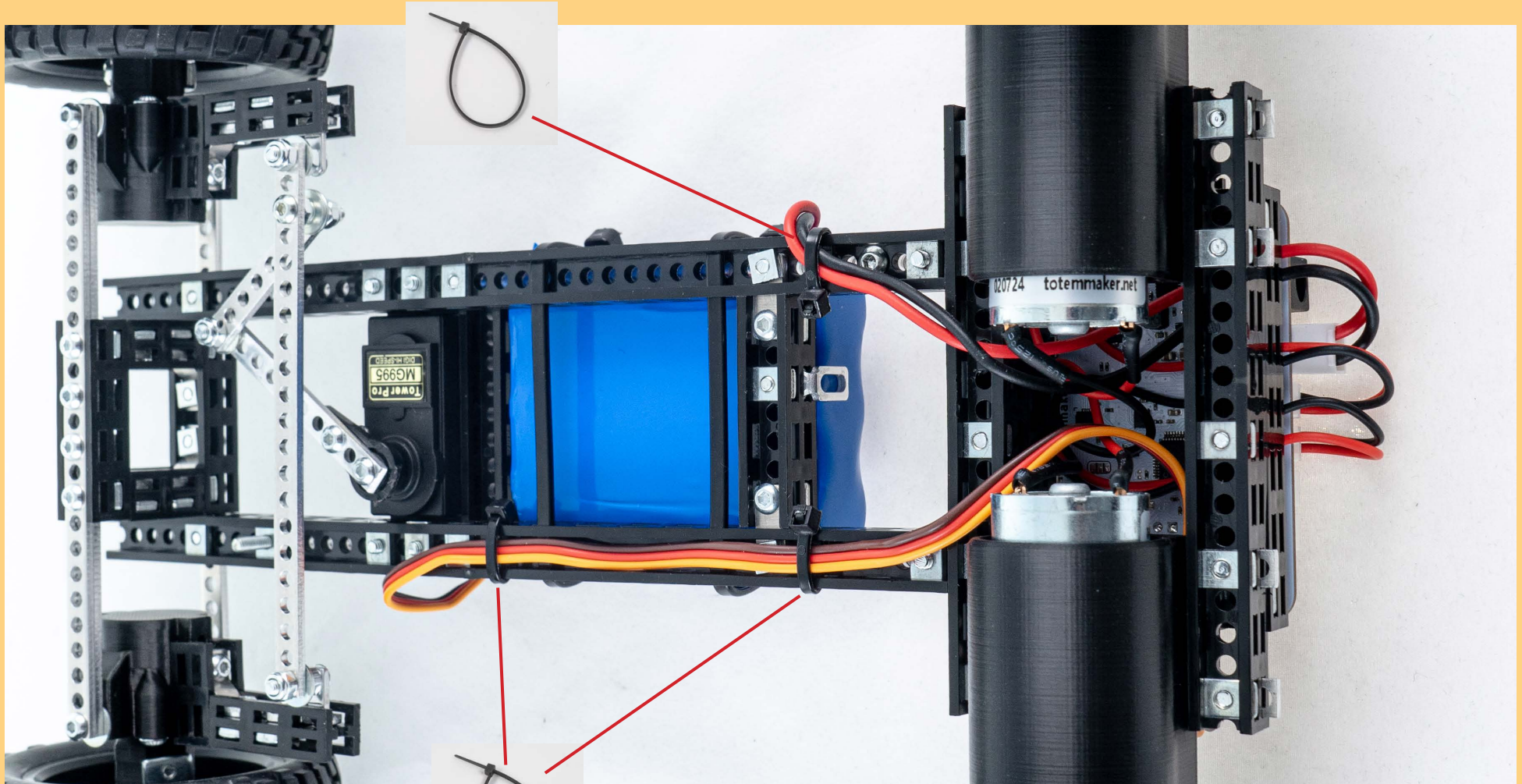
2

This diagram shows the connections for the cables to the RoboBoard X4 controller.



Zip Ties for the cables.

There is several ways you may fix the cables with Zip Ties. Here is how we did it.

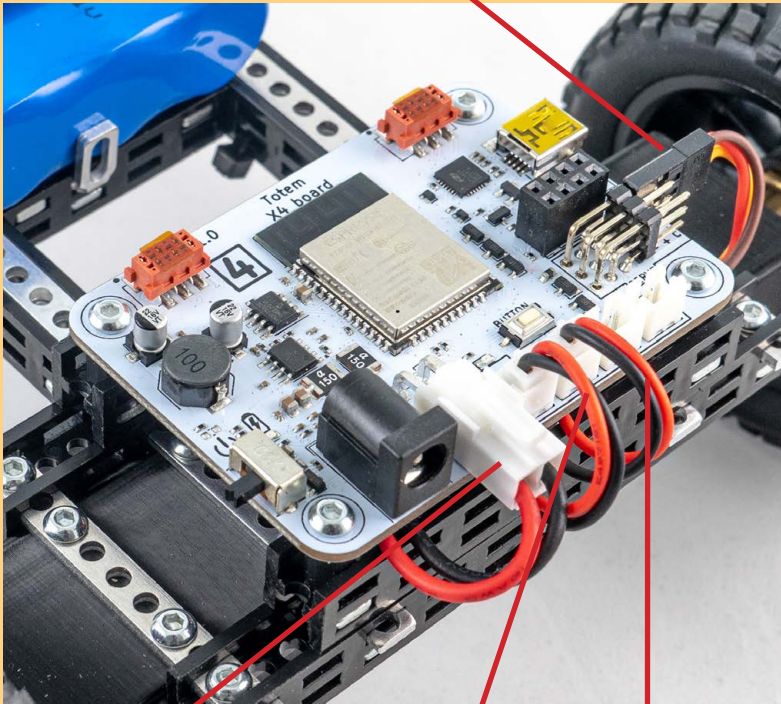


Cables connected to the RoboBoard X4

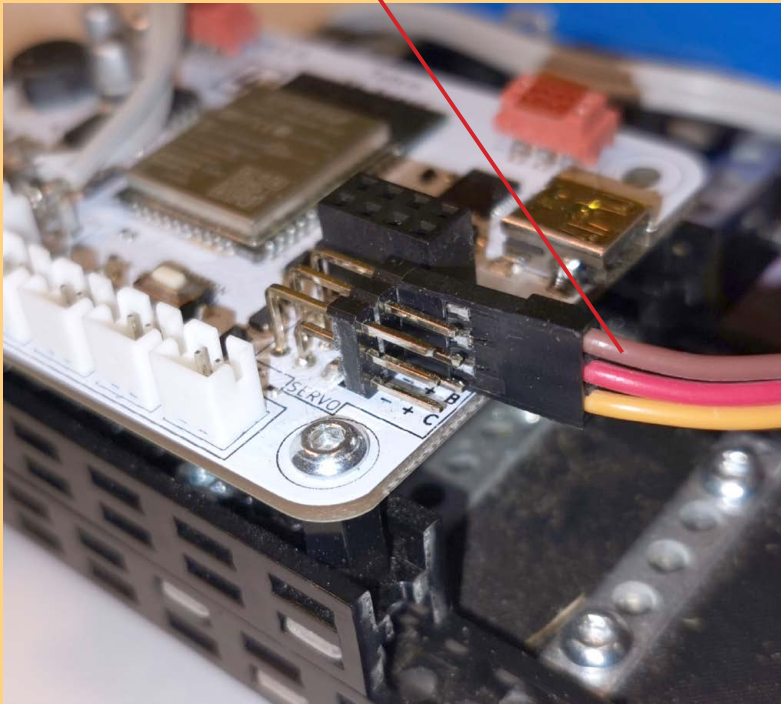
The cables can be thread UNDER the X4 board, to be most tidy and protected.

from the Steering Servo motor

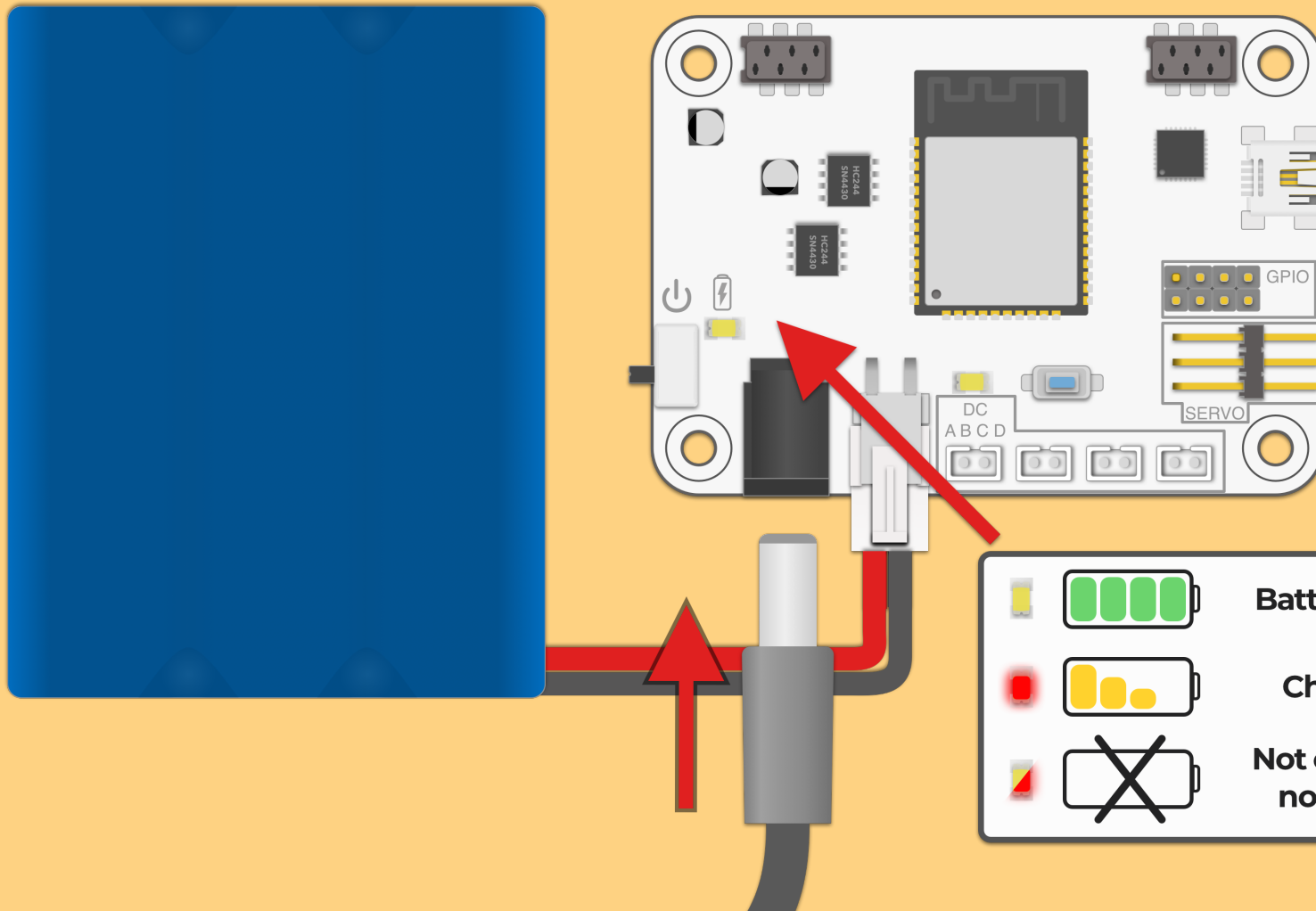
The cable from the servo is connected to the X4-connector with the BROWN wire facing upward.



Battery connector. Motor L Motor R



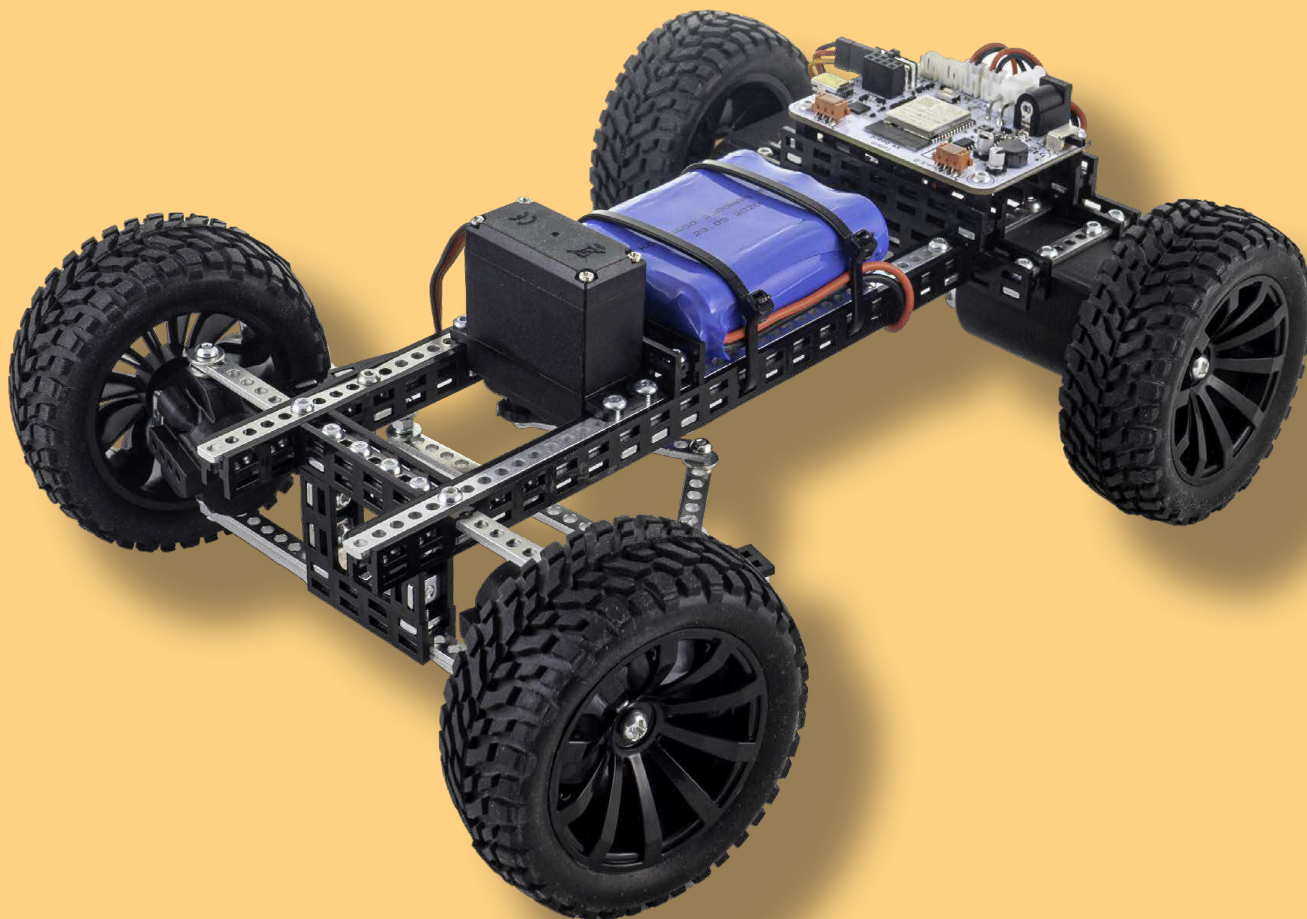
CHARGING



Battery can be recharged any time power adapter is connected. Integrated charge controller ensures optimal charge cycle, automatically stopping charging when battery gets full.

	Battery is full
	Charging
	Not charging/ no battery

6



Building is finished !

**Now it is time to
test your model.**



How to control

Download the Totem app on your smartphone or tablet via App Store or Google Play.

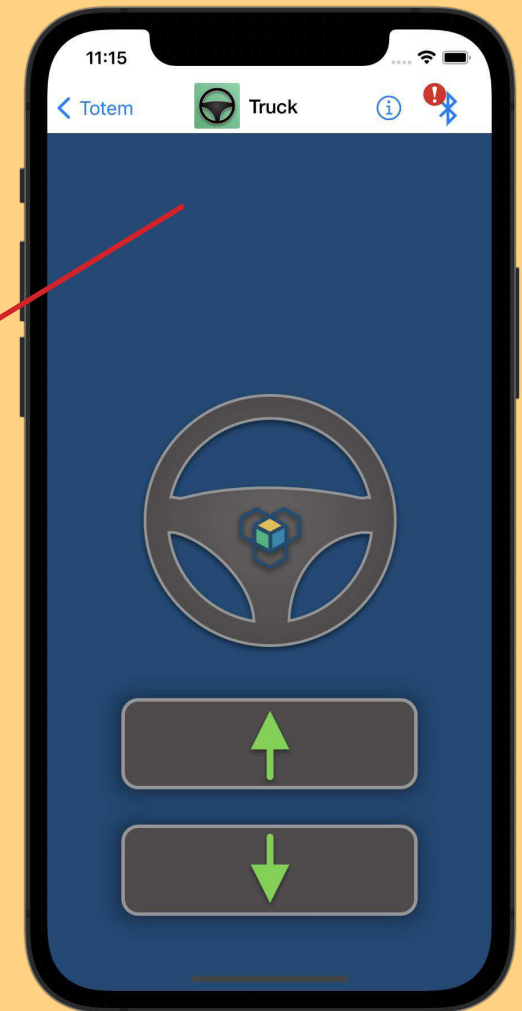
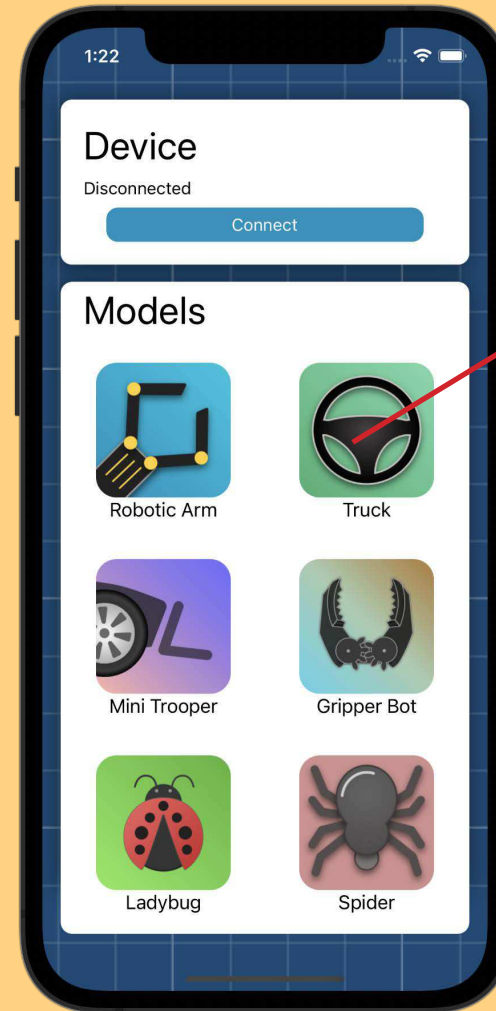


Search for : “totemmaker”

Or scan this code:



Start the app and get acquainted with it.



Coding the RoboBoard

For more advanced use cases, such as programming your model, please follow our documentation and examples available at:



<https://docs.totemaker.net>

By programming your robot with Arduino, you can teach it to behave in certain patterns, respond to commands or external stimulus.

Our programming examples start from simple behaviour such as robot driving directions and light patterns, up to advanced projects where the robot is subjected to advanced control algorithm such as balance control.



```
Empty | Arduino 1.8.13
Empty §
/*
 * Copyright (c) 2021 TotemMaker. All rights reserved.
 *
 * This work is licensed under the terms of the MIT license.
 * For a copy, see <https://opensource.org/licenses/MIT>.
 */
/* DESCRIPTION:
 * Minimal code required to upload program to X4.
 * This code is handy if you need to update X4 firmware
 * or upload empty program to not interfere with controlling
 * over Bluetooth.
 *
 * INSTRUCTIONS:
 * 1. Connect X4 board to PC.
 * 2. Upload code.
 */
// Totem Library include
#include <Totem.h>
// Arduino setup function.
void setup() {
    // Initialize X4 module
    Totem.X4.begin();
}
// Arduino loop function
void loop() {
    // Do nothing
    delay(1000);
}

Done uploading.
13 ESP32 Dev Module on /dev/cu.usbserial-1430
```

Going further

Your robot abilities can be expanded by adding more Totem Bus devices. The list of available modules are ever-growing.

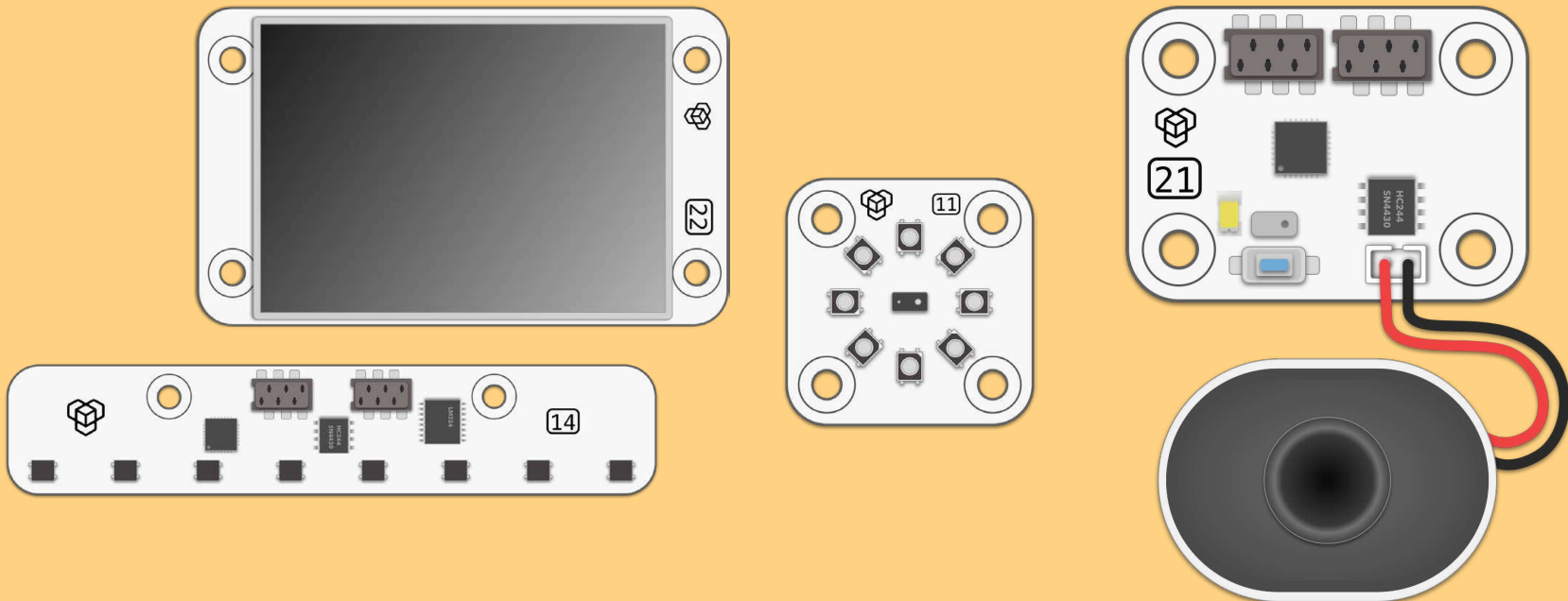
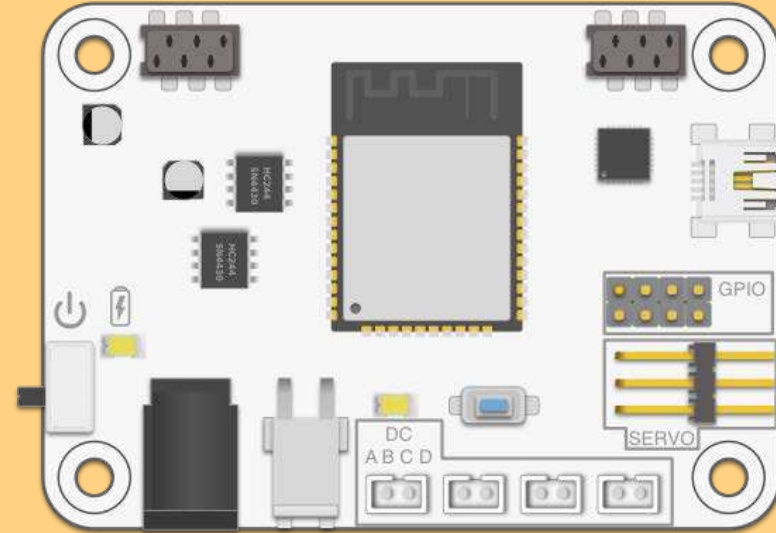
Robots can have audio playback recording. Laser distance measuring. Line follower for detecting taped lines on the floor. There are display modules and input devices of different kinds.

Learn about the Totem Bus here:



<https://docs.totemmaker.net/TotemBUS/>

totem



totem



See us here:
www.totemmaker.net

At Totem we create a unique construction system with parts for robotics and electronics prototyping.

It's designed as a user-friendly system for makers of all levels. Since 2015 we seek to make the engineering world fun, understandable and simple for everyone.

